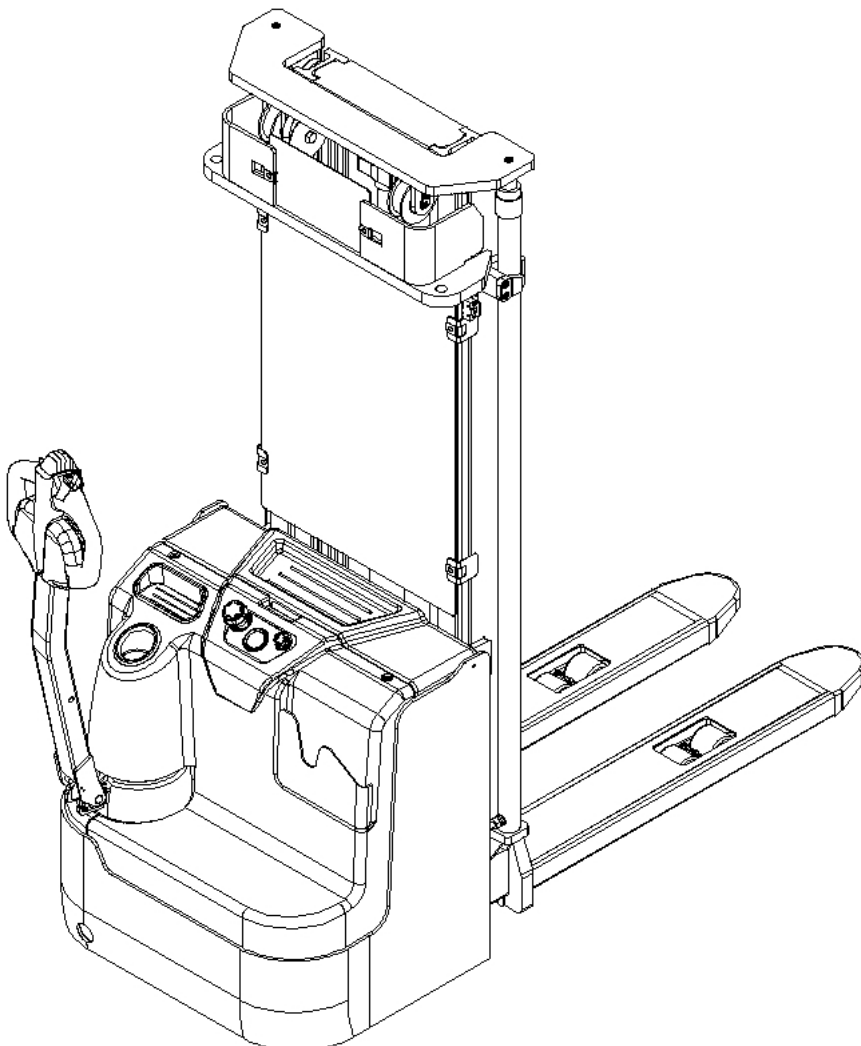


SPAREPARTS LIST

Electric Stacker PS 12L



Version 01/2016

From truck identification number:

PS 12L-BPT-001-EN

Catalogue

Fig.1 Label (For EU).....	1
Fig.2 Label (For US).....	2
Fig.3 Outline	3
Fig.4 Pallet.....	4
Fig.5 Truck assembly	5
Fig.6 Power supply	7
Fig.7 Instrument assembly	8
Fig.8 Battery cover assembly	10
Fig.9 Steering wheel assembly.....	11
Fig.10 Two-stage mast system (full free lift).....	12
Fig.11 Two-stage mast system(standard lift)	13
Fig.12 Two-stage mast chain system(full free lift).....	14
Fig.13 Two-stage mast chain system(standard lift)	16
Fig.14 Mast and other parts	17
Fig.15 Two-stage mast hydraulic system(full free lift).....	18
Fig.16 Two-stage mast hydraulic system(standard lift).....	20
Fig.17 Two-stage mast outer cylinder assembly(full free lift).....	22
Fig.18 Two-stage mast middle cylinder assembly(full free lift)	24
Fig.19 Two-stage mast outer cylinder assembly(standard lift).....	26
Fig.20 Drive system assembly.....	28
Fig.21 Load wheel assembly	29
Fig.22 Handle assembly	31
Fig.23 Pump system	32
Fig.24 Main circuit harness	33
Fig.25 Electrical general part.....	34
Fig.26 Controller assembly	35
Fig.27 Load backrest.....	37
Easy worn parts list	38

Fig.1 Label (For EU)

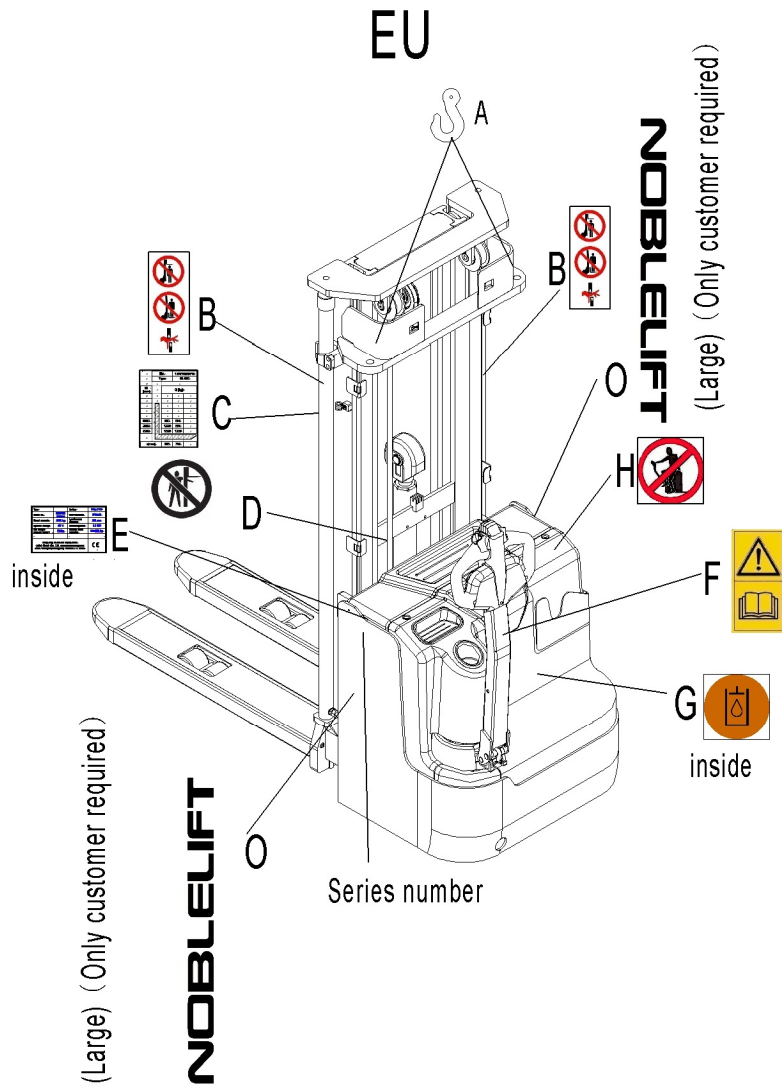


Fig.1 Label (For EU)

No.	Art No.	Description	Qty.	Note
A	9000005967	Crane hook label	2	
B	9000003923	Warning decal: Do not step under or on the forks	2	
C	9000016333	Residual lift capacity sticker	1	
D	9000008561	Never reach through	1	
E	9000016334	CE label	1	
F	9000003570	Sticker to read and follow these instructions	1	
G	9000008555	Filling sticker	1	
H	9000003573	'No passengers' decal	1	
O	9000008556	Emblem mark	2	

Fig.2 Label (For US)

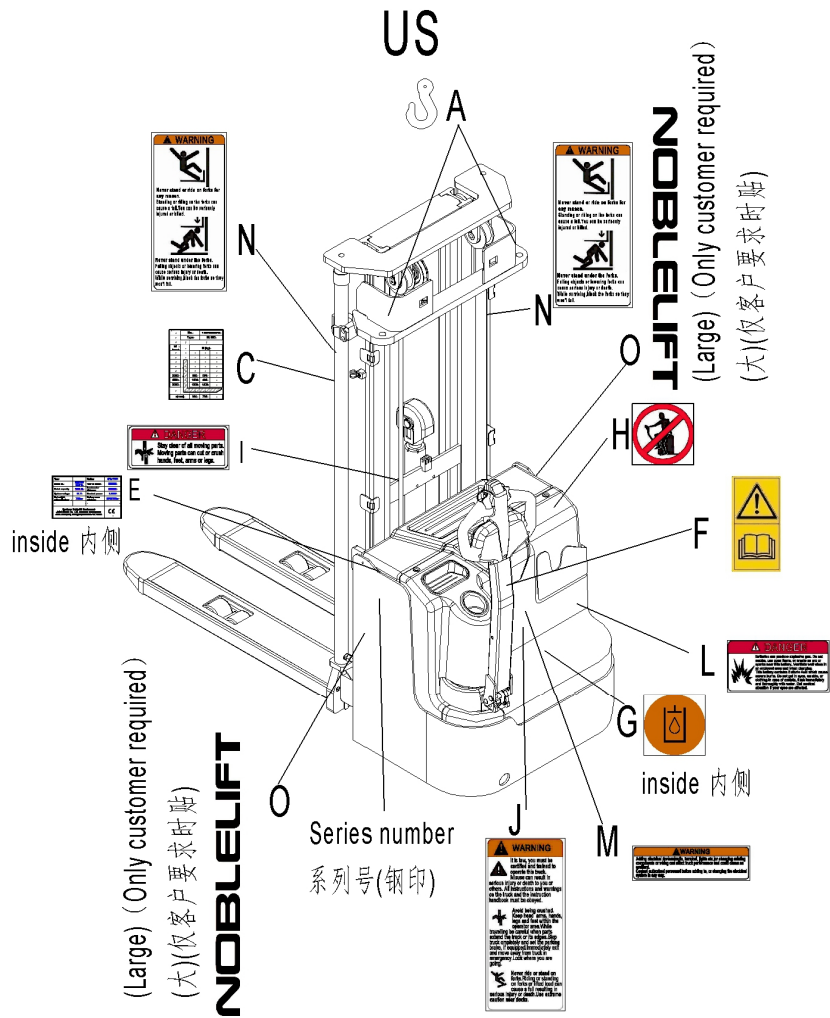


Fig.2 Label (For US)

No.	Art No.	Description	Qty.	Note
A	9000005967	Crane hook label	2	
C	9000016333	Residual lift capacity sticker	1	
E	9000016334	CE label	1	
F	9000003570	Sticker to read and follow these instructions	1	
G	9000008555	Filling sticker	1	
I	9000005970	Warning label	1	
J	9000003575	Warning label	1	
K	9000003580	Warning label	1	
L	9000003577	Warning label	1	
M	9000003579	Warning label	1	
N	9000005971	Warning label	2	

Fig.3 Outline

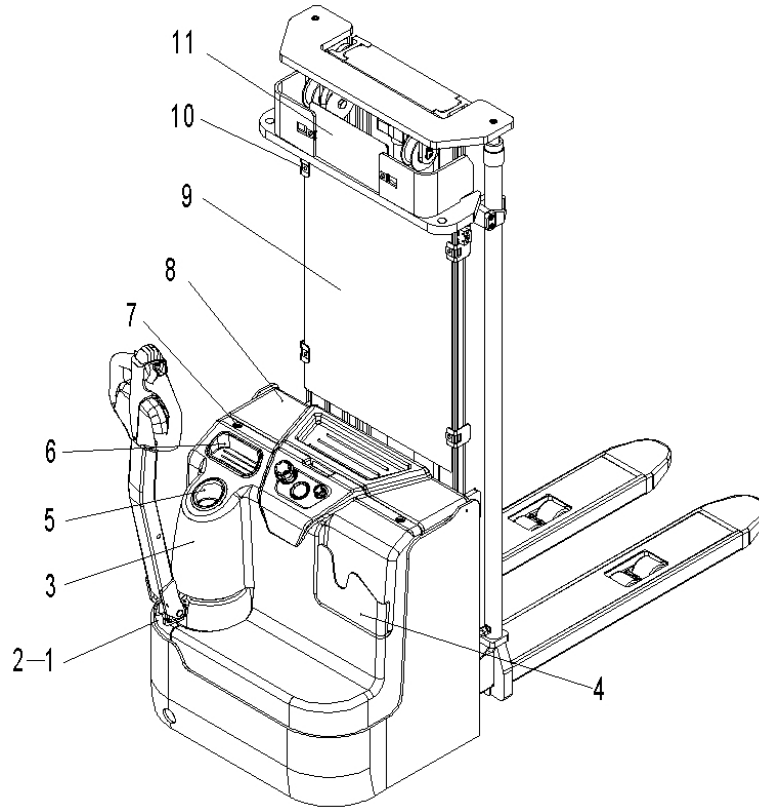


Fig.3 Outline

No.	Art No.	Description	Qty.	Note
1	9000015364	Cover	1	
2	0000023093	Lock screw	2	M6x10
3	9000015363	Electrical box cover	1	
4	9000010660	File box	1	
5	9000015365	Cup base	1	
6	9000015366	Storage box	1	
7	9000007790	Screw	2	M10X55
9	9000015192	Protective plate	1	(3600)
	9000015195	Protective plate	1	(2900)
	9000015332	Protective plate	1	(4600)
10	9000007782	Spring buckle	6	(thickness 1)
11	9000015331	Upper protective plate	1	

Fig.4 Pallet

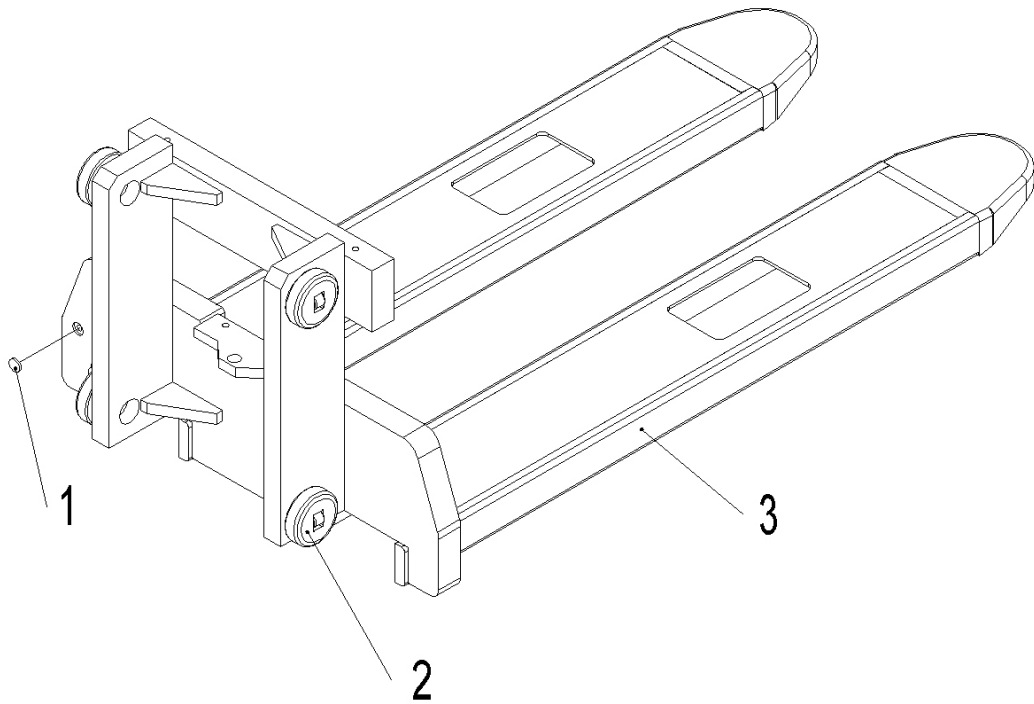


Fig.4 Pallet

No.	Art No.	Description	Qty.	Note
1	2000435002	Magnet steel	1	
2	2210511001	Roller	4	1
3	9000015720	Pallet (570x1150)	1	Two-stage mast (standard)
	9000015734	Pallet (685x1150)	1	Two-stage mast (standard)
	9000015766	Pallet (570x1150)	1	Two-stage mast (full free lift)
	9000015774	Pallet (685x1150)	1	Two-stage mast (full free lift)

Fig.5 Truck assembly

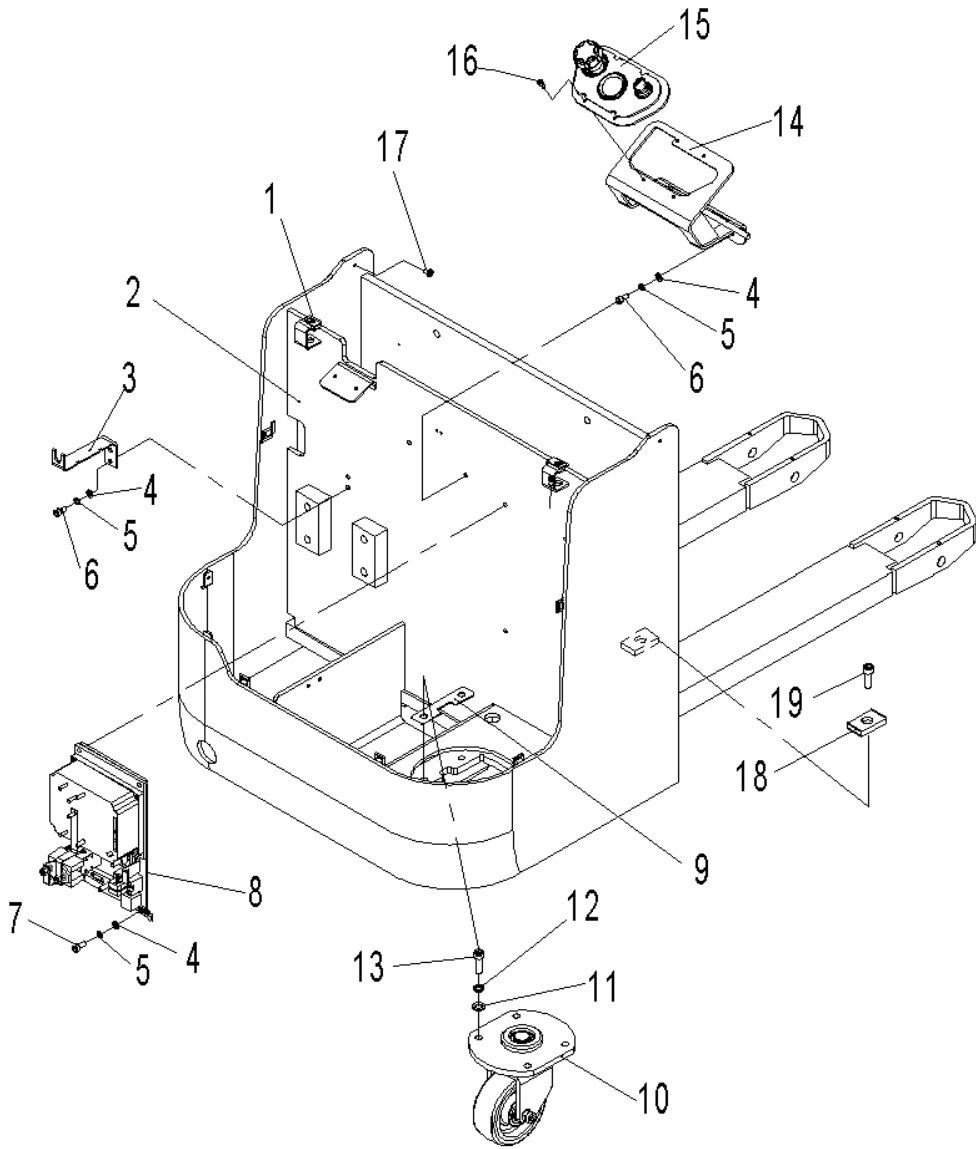


Fig.5 Truck Assembly

No.	Art No.	Description	Qty.	Note
1	9000007783	Nut	2	M10
2	9000015726	Truck body	1	(570X1150)
	9000015744	Truck body	1	(685X1150)
3	9000015356	Cable holder	1	
4	0000025011	Washer	8	8
5	0000025001	Washer	8	8
6	0000023067	Screw	4	M8x16
7	0000023061	Screw	4	M8x25
8	9000015362	Controller fixing plate	1	
9	9000015361	Steering wheel pad	6	
10	9000015432	Steering wheel assembly	1	
11	0000025032	Washer	4	12
12	0000025024	Washer	4	12
13	0000023082	Screw	4	M12x35
14	9000015430	Fixing plate	1	
15	9000015431	Instrument assembly	1	
16	0000023020	Screw	4	M6x20
17	9000015369	Locating sleeve	2	
18	9000015373	Cushion	2	
19	0000023045	Screw	2	M6x12

Fig.6 Power supply

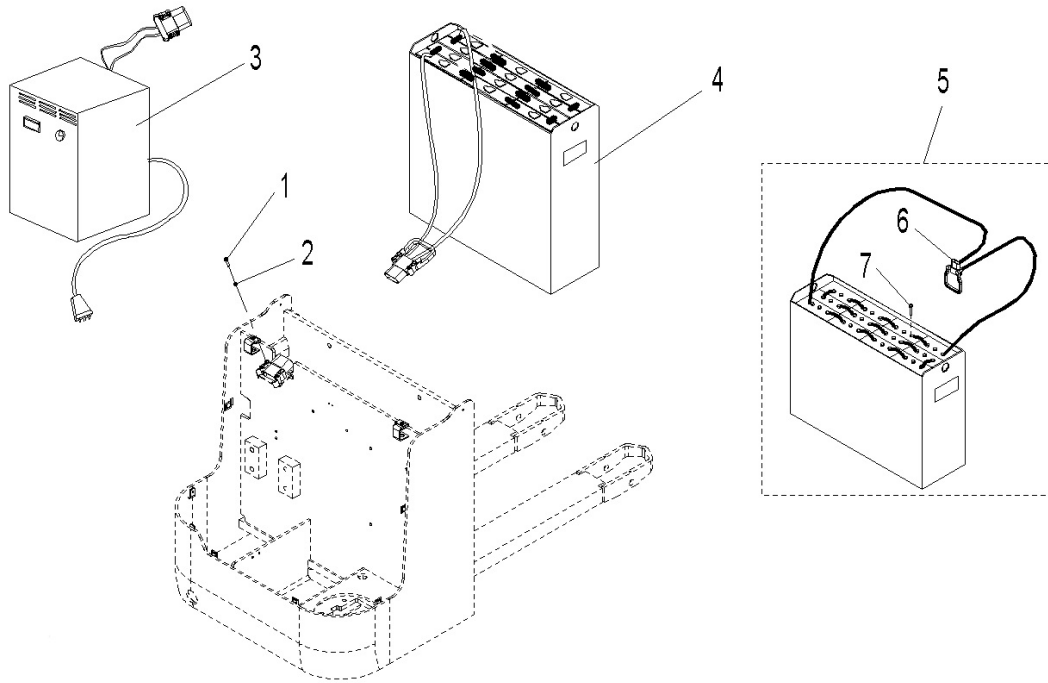


Fig.6 Power Supply

No.	Art No.	Description	Qty.	Note
1	000023106	Screw	2	M6×30
2	000023055	Washer	2	6
3	900010116	Charger (Asian in Chinese)	1	24V/30A
	900010117	Charger (Asian in English)		24V/30A
	900010118	Charger (European)		24V/30A
	900010120	Charger (Australian)		24V/30A
	900010121	Charger (British)		24V/30A
	900010146	Charger (American)		24V/30A
4	900015731	Power assembly-welded	1	(180Ah)
5	900015745	Power assembly-bolted	1	(180Ah)
6	2000434002	Connector assembly	1	Only for bolt type battery
7	9000009832	Screw M10X22	24	

Fig.7 Instrument assembly

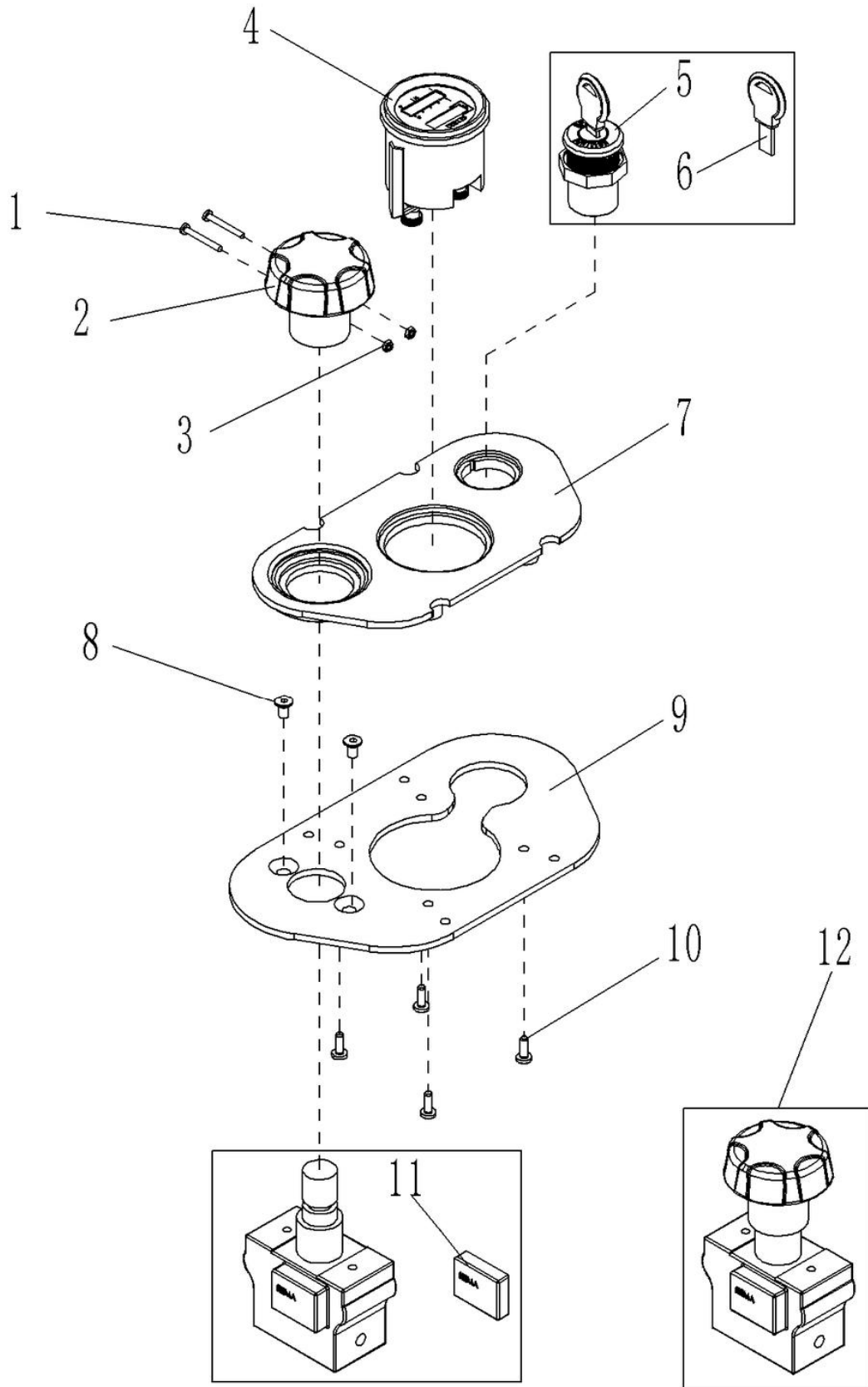


Fig.7 Instrument Assembly

No.	Art No.	Description	Qty.	Note
1	0000023685	Screw	2	M3×25
2	9000008516	DC power switch-mushroom cap	1	ZDK32-350
3	0000024002	Nut	2	M3
4	1000434025	Indicator	1	CURTIS 803
5	9000008326	Key switch	1	LKS-101A
6	9000008519	Key switch-key	1	LKS-101A
7	9000015354	Integrated leaf panel	1	
8	0000023215	Screw	2	M5×10
9	9000015355	Instrument fixing plate	1	
10	0090000272	Lock screw	4	M4×12
11	9000008517	Micro switch	1	ZDK32-350
12	9000008515	DC power switch	1	ZDK32-350

Fig.8 Battery cover assembly

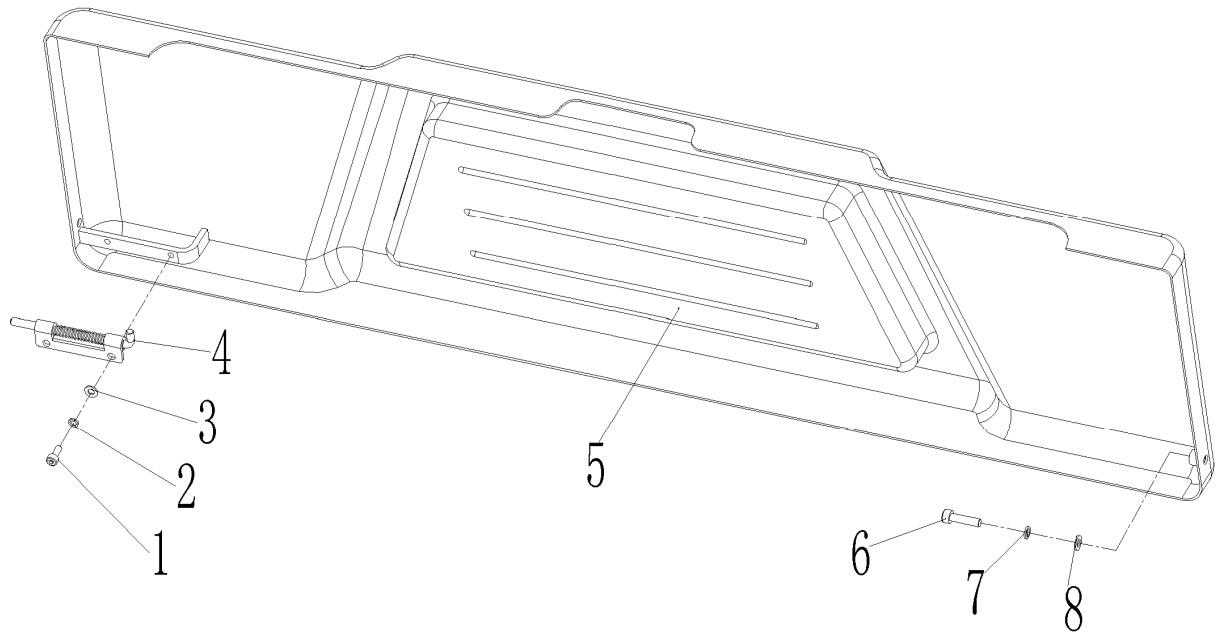


Fig.8 Battery Cover Assembly

No.	Art No.	Description	Qty.	Note
1	0000023073	Screw	2	M4×10
2	0000025018	Washer	2	4
3	0000025019	Washer	2	4
4	9000008795	Latch	1	
5	9000015728	Battery cover	1	
6	0000023306	Screw	1	M5×20
7	0000025015	Washer	1	5
8	0000025014	Washer	1	5

Fig.9 Steering wheel assembly

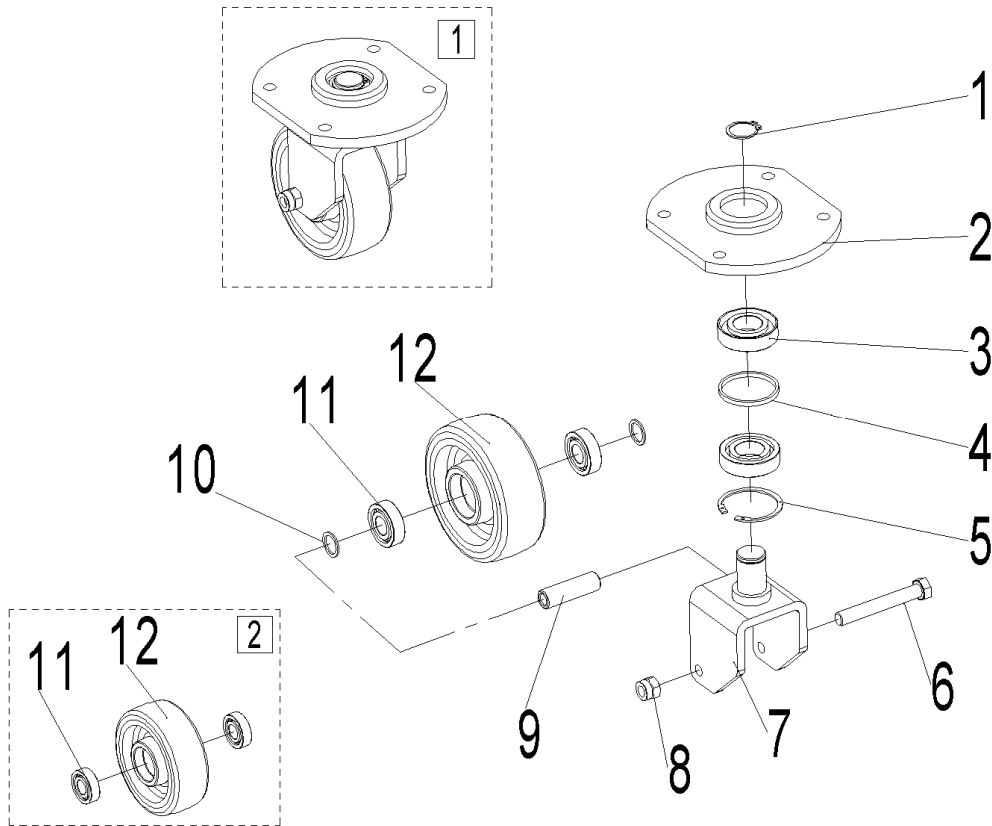


Fig.9 Steering Wheel Assembly

No.	Art No.	Description	Qty.	Note
1	0000026008	Circlip	1	30
2	9000015433	Bearing seat	1	
3	0000027013	Bearing	2	7206C/DB
4	2000413001	Bushing	1	
5	0000026010	Circlip	1	62
6	0000023111	Bolt	1	M14x100
7	9000015434	Rear wheel carrier	1	
8	0000024015	Lock nut	1	M14
9	2000413002	Bushing	1	
10	1000525001	Washer	2	
11	0000027001	Bearing	2	6204
12	2210416001	Rear wheel	1	
①	9000015432	Steering wheel assembly	1	
②	9000008896	Wheels	1	

Fig.10 Two-stage mast system (full free lift)

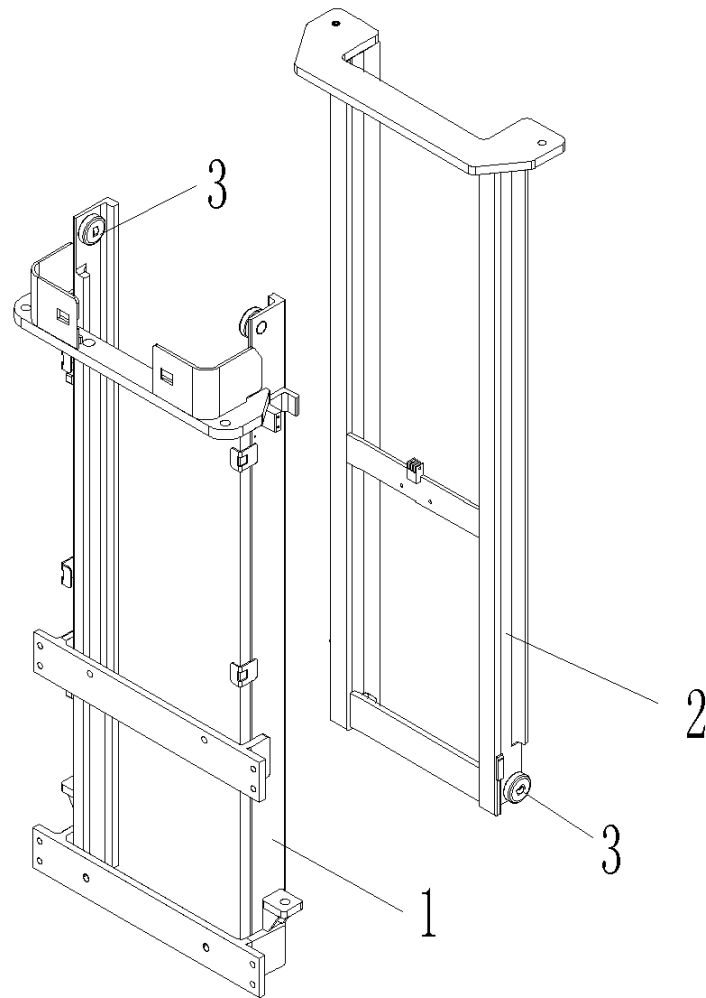


Fig.10 Two-stage Mast System(full free lift)

No.	Art No.	Description	Qty.	Note
1	9000015768	Mast	1	(3600)
	9000015776	Mast	1	(3200)
	9000015782	Mast	1	(2900)
2	9000015769	Mast	1	(3600)
	9000015777	Mast	1	(3200)
	9000015783	Mast	1	(2900)
3	2240611001	Roller	4	1

Fig.11 Two-stage mast system(standard lift)

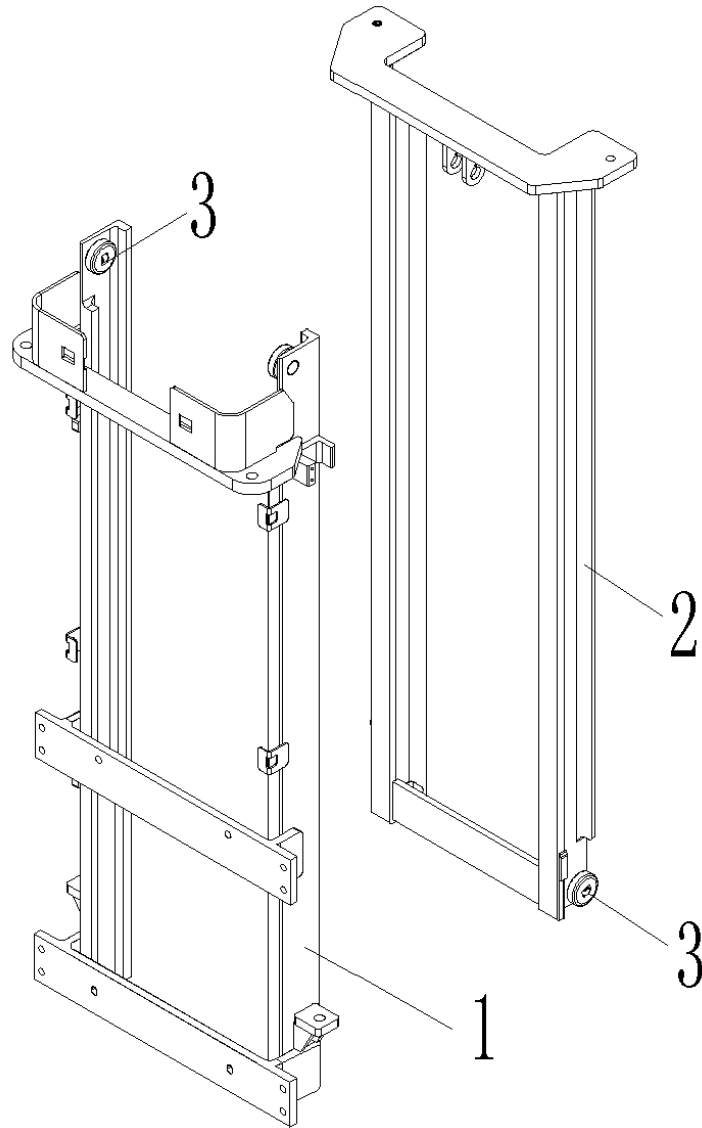


Fig.11 Two-stage Mast System(standard lift)

No.	Art No.	Description	Qty.	Note
1	9000015722	Mast	1	3600
	9000015736	Mast	1	3200
	9000015740	Mast	1	2900
2	9000015723	Mast	1	3600
	9000015737	Mast	1	3200
	9000015741	Mast	1	2900
3	2240611001	Roller	4	1

Fig.12 Two-stage mast chain system(full free lift)

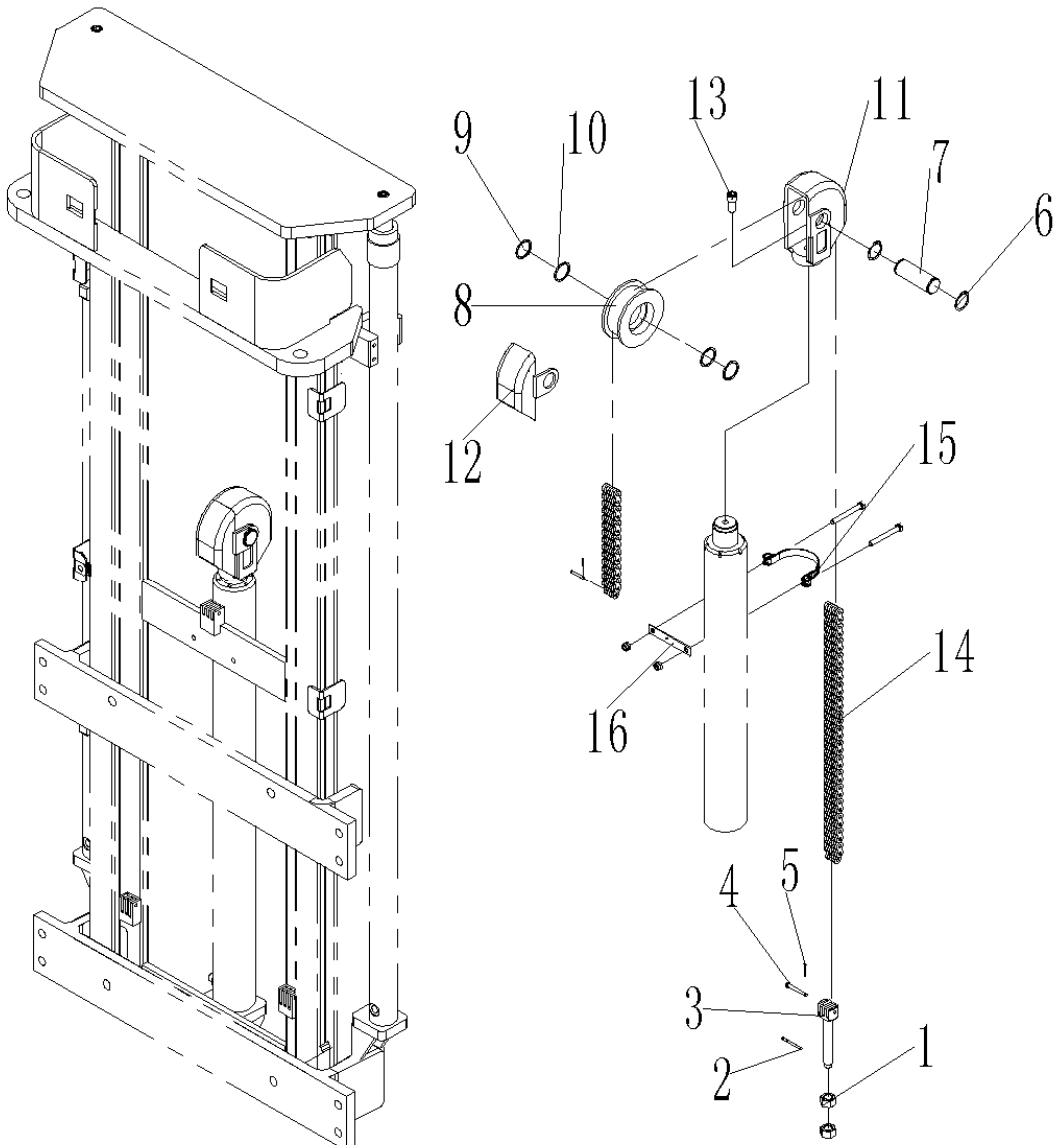


Fig.12 Two-stage Mast Chain System(full free lift)

No.	Art No.	Description	Qty.	Note
1	0090000442	Nut	2	M16x1.5
2	0000028011	Split pin	2	3x40
3	9000008260	Bolt	1	
4	0000028030	Short axle	2	6x45
5	0000028010	Split pin	2	2x20
6	2230307001	Chain wheel axle	1	
7	0000026008	Circlip	2	30
8	9000015636	Chain wheel for mast	1	
9	2000302002	Adjusting washer	2	(thickness 2)
10	9000015670	Adjusting washer	2	(thickness 4)
11	2230305002	Side cover	1	
12	2230305001	Chain wheel seat	1	
13	0000023156	Screw	1	M12x25
14	0000029056	Chain LH1066x81	1	3600
	0090000483	Chain LH1066x75	1	3200
	0090000482	Chain LH1066x71	1	2900
15	9000009831	Hoop assembly	1	center distance 96
16	9000015319	Middle cylinder pad	1	

Fig.13 Two-stage mast chain system(standard lift)

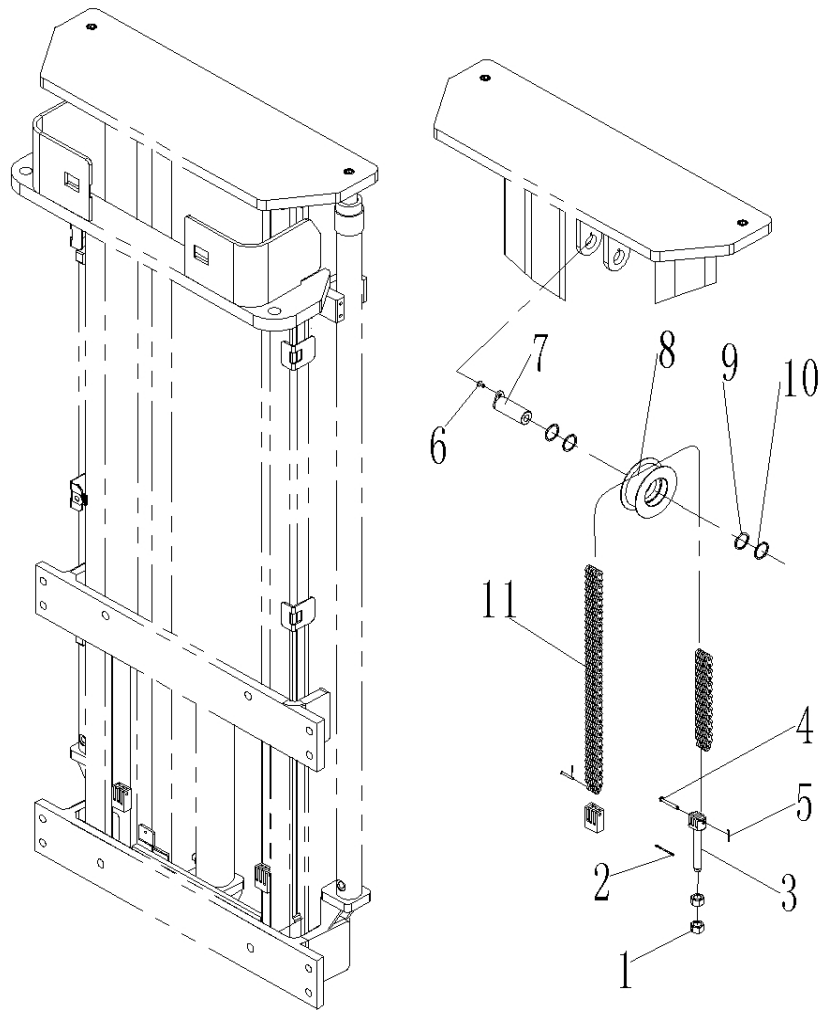


Fig.13 Two-stage Mast Chain System(standard lift)

No.	Art No.	Description	Qty.	Note
1	0090000442	Nut	4	M16x1.5
2	0000028011	Split pin	2	3x40
3	9000008114	Chain pulling rod	2	
4	0000028017	Short axle	2	6x35
5	0000028010	Split pin	2	2x20
6	0000023091	Screw	1	M6x12
7	9000009130	Chain wheel axle	1	
8	9000015636	Chain wheel for mast	1	
9	2000302002	Adjusting washer	2	(thickness 2)
10	9000015670	Adjusting washer	2	(thickness 4)
11	0090000622	Chain LH1046x139	1	3600
	0000029248	Chain LH1046x127	1	3200
	0090000801	Chain LH1046x117	1	2900

Fig.14 Mast and other parts

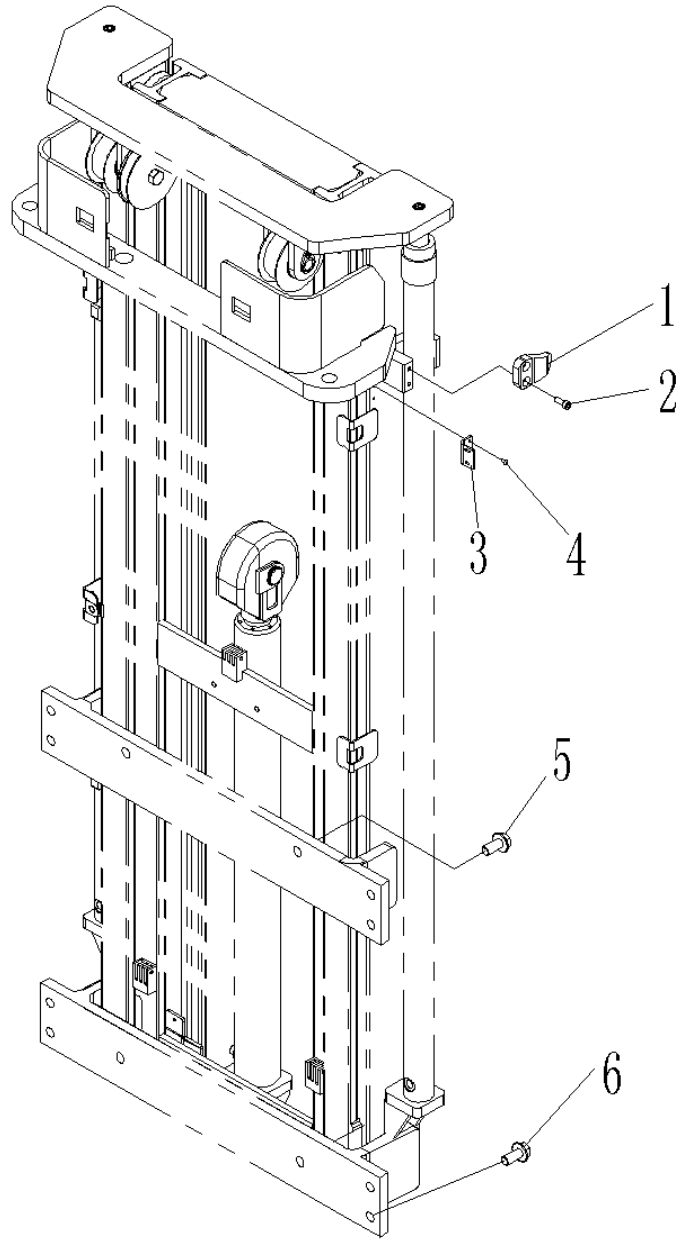


Fig.14 Mast and other Parts

No.	Art No.	Description	Qty.	Note
1	3018005004	Cylinder pressing plate	2	
2	0000023044	Screw	4	M8x20
3	9000015321	Limit switch fixing plate	1	
4	1000123003	Screw	2	M4x8
5	0090000658	Bolt	2	M16x35
6	0090000823	Bolt	10	M16x40

Fig.15 Two-stage mast hydraulic system(full free lift)

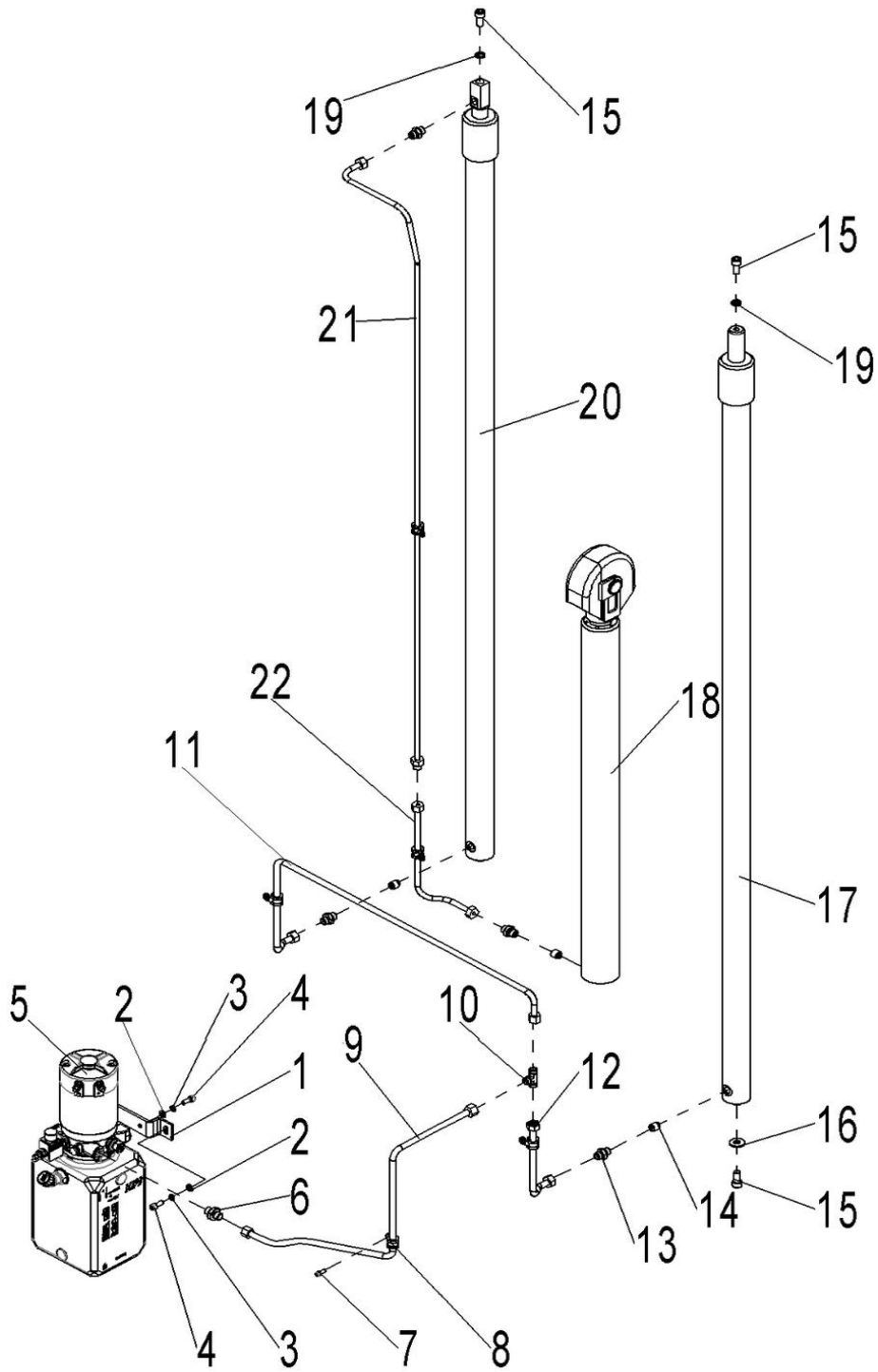


Fig.15 Two-stage Mast Hydraulic System(full free lift)

No.	Art No.	Description	Qty.	Note
1	9000015703	Pump fixing plate	1	
2	0000025011	Washer	4	8
3	0000025001	Washer	4	8
4	0000023044	Screw	4	M8x20
5	9000016361	DC hydraulic power unit	1	
6	9000007832	G straight pipe joint	1	
7	9000014895	YGE pipe clamp	3	
8	0000023604	Screw	3	M6x6
9	9000015647	Special pipe assembly	1	
10	9000007846	Tee coupling	2	
11	9000015193	Connecting steel pipe	1	
12	9000015194	Side steel pipe	1	
13	9000007842	Straight pipe joint	2	
14	2000337001	Safety valve	2	
15	0000023156	Screw	4	M12x25
16	9000015320	Cylinder fixing pad	2	
17	9000015771	Right outer cylinder	1	3600
	9000015779	Right outer cylinder	1	3200
	9000015785	Right outer cylinder	1	2900
18	9000015772	Middle cylinder	1	3600
	9000015780	Middle cylinder	1	3200
	9000015786	Middle cylinder	1	2900
19	0000025024	Washer	4	12
20	9000015770	Left outer cylinder	1	3600
	9000015778	Left outer cylinder	1	3200
	9000015784	Left outer cylinder	1	2900
21	9000015243	Middle cylinder steel pipe 1	1	3600
	9000015255	Middle cylinder steel pipe 1	1	3200
	9000015267	Middle cylinder steel pipe 1	1	2900
22	9000015242	Middle cylinder steel pipe 2	1	

Fig.16 Two-stage Mast Hydraulic System(standard lift)

No.	Art No.	Description	Qty.	Note
1	9000015703	Pump fixing plate	1	
2	0000025011	Washer	4	8
3	0000025001	Washer	4	8
4	0000023044	Screw	4	M8x20
5	9000016361	DC hydraulic power unit	1	
6	9000007832	G straight pipe joint	1	
7	9000014895	YGE pipe clamp	3	
8	0000023604	Screw	3	M6x6
9	9000015647	Special pipe assembly	1	
10	9000007846	Tee coupling	2	
11	9000015193	Connecting steel pipe	1	
12	9000015194	Side steel pipe	1	
13	9000007842	Straight pipe joint	2	
14	2000337001	Safety valve	2	
15	0000023156	Screw	4	M12x25
16	9000015320	Cylinder fixing pad	2	
17	9000015724	Outer cylinder	2	3600
	9000015738	Outer cylinder	2	3200
	9000015742	Outer cylinder	2	2900
18	0000025024	Washer	2	12

Fig.17 Two-stage mast outer cylinder assembly(full free lift)

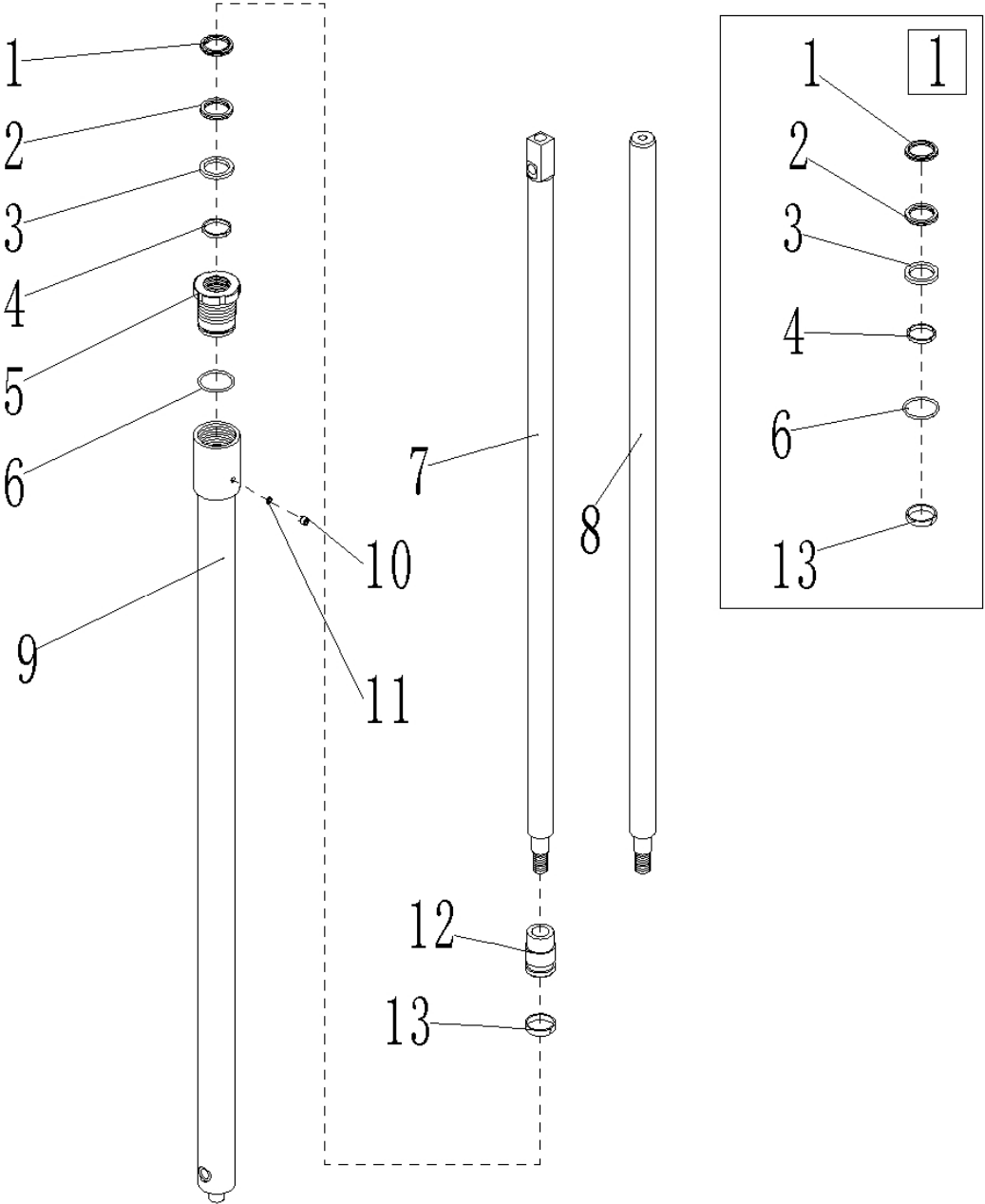


Fig.17 Two-stage Mast outer Cylinder Assembly(full free lift)

No.	Art No.	Description	Qty.	Note
1	9000016336	Dust ring	1	22x33x4.5/6
2	9000016337	Seal ring	1	25x33x5/5.7
3	9000016338	Seal ring	1	25x35.7x4.2
4	9000016339	Supporting ring	1	25x29x10
5	9000015750	Cylinder cover	1	
6	9000015660	O ring	1	49.4x3.1
7	9000015749	Piston rod	1	3600 left cylinder
	9000015755	Piston rod	1	3200 left cylinder
	9000015759	Piston rod	1	2900 left cylinder
8	9000015763	Piston rod	1	3600 right cylinder
	9000015757	Piston rod	1	3200 right cylinder
	9000015761	Piston rod	1	2900 right cylinder
9	9000015751	Cylinder barrel	1	3600
	9000015756	Cylinder barrel	1	3200
	9000015760	Cylinder barrel	1	2900
10	0000022026	Combined seal washer	1	8
11	0000023415	Screw	1	M8x10
12	9000015752	Piston	1	
13	9000015661	Supporting ring	1	40x45x10
□,1	9000016335	Outer cylinder seal assembly	1	

Fig.18 Two-stage mast middle cylinder assembly(full free lift)

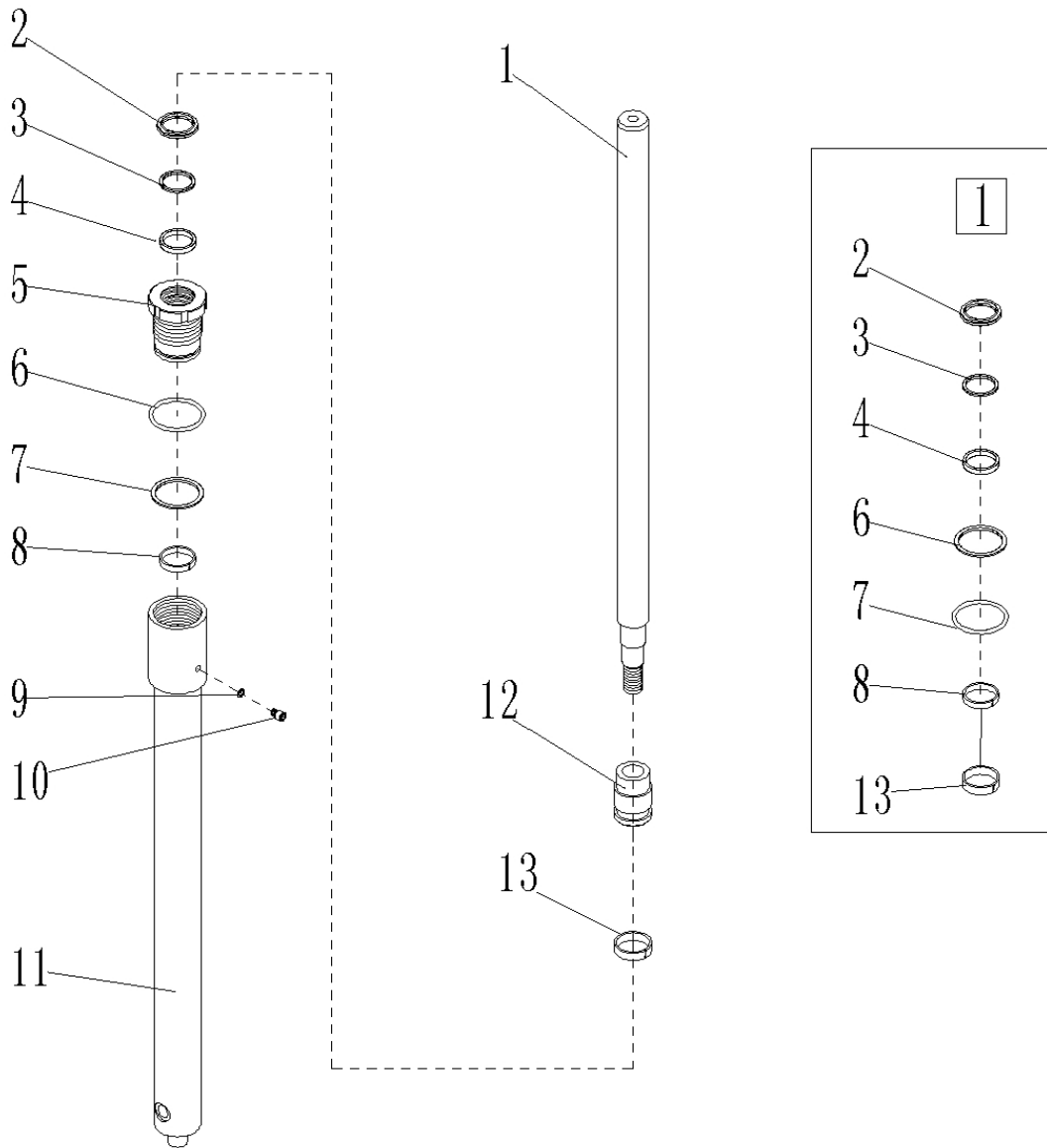


Fig.18 Two-stage Mast middle Cylinder Assembly(full free lift)

No.	Art No.	Description	Qty.	Note
1	9000015754	Piston rod	1	3600
	9000015758	Piston rod	1	3200
	9000015762	Piston rod	1	2900
2	9000010701	Dust ring	1	50X58X5/6.5
3	9000016340	Stop collar	1	50x60x1.5
4	9000010700	Y seal ring	1	50X60X6/7
5	9000015753	End cover	1	
6	9000015664	O ring	1	64.4x3.1
7	9000016341	Stop collar	1	65x70x1.5
8	9000016342	Supporting ring	1	50x64x10
9	0000022026	Combined sealing washer	1	8
10	0000023415	Screw	1	M8x10
11	9000015236	Cylinder barrel	1	3600
	9000015282	Cylinder barrel	1	3200
	9000015283	Cylinder barrel	1	2900
12	9000015325	Piston	1	
13	9000015667	Supporting ring	1	58x63x9.7
□,1	9000016343	Middle cylinder seal assembly	1	

Fig.19 Two-stage mast outer cylinder assembly(standard lift)

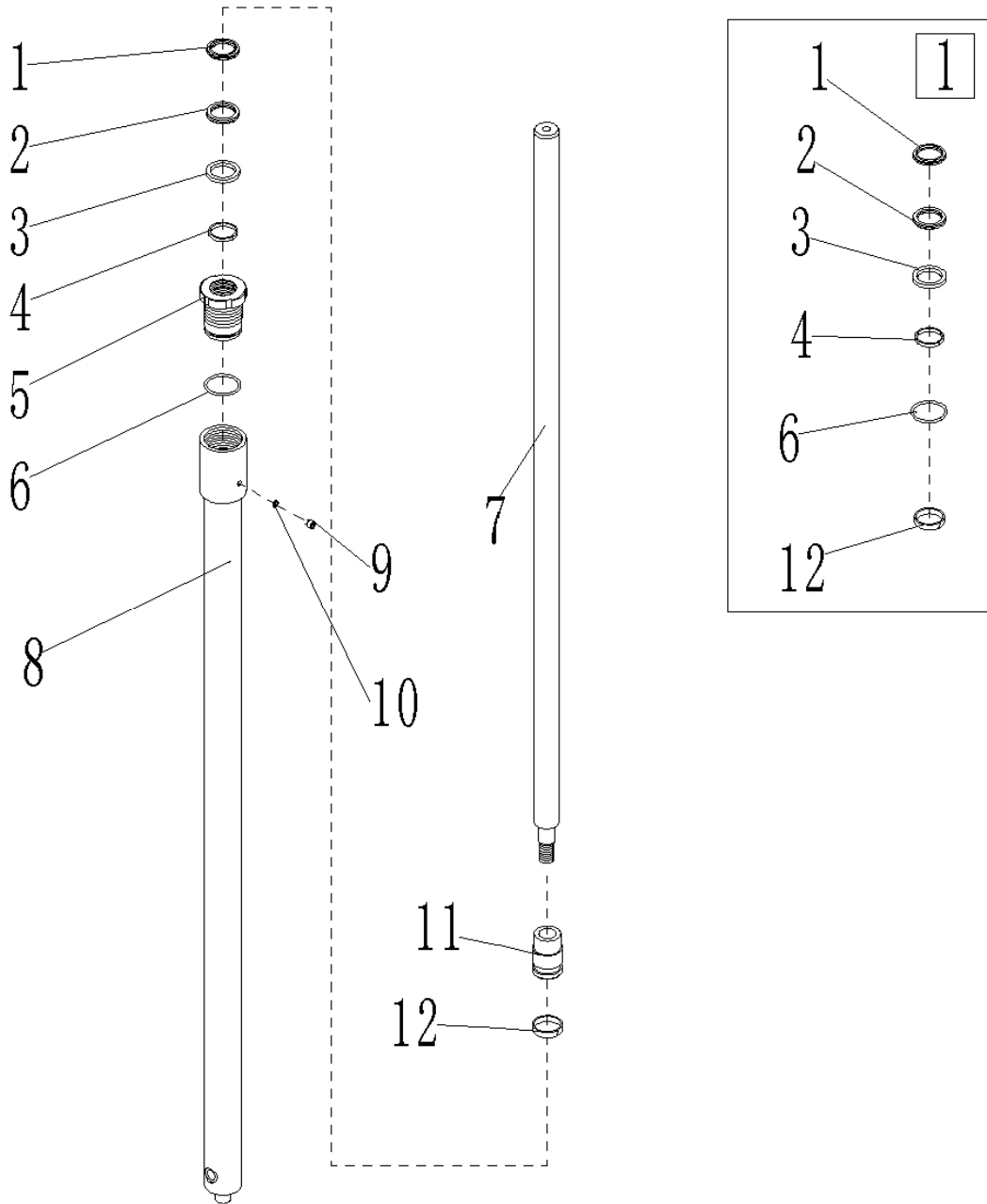


Fig.19 Two-stage Mast outer Cylinder Assembly(standard lift)

No.	Art No.	Description	Qty.	Note
1	9000009075	Dust ring	1	32X40X5/6.5
2	9000009079	Seal ring	1	32X42X6/7
3	9000008953	Seal ring	1	32X42.7X4.2
4	9000016344	Supporting ring	1	32x36x10
5	9000015693	Cylinder cover	1	
6	9000015660	O ring	1	49.4x3.1
7	9000015692	Piston rod	1	3600
	9000015710	Piston rod	1	3200
	9000015716	Piston rod	1	2900
8	9000015694	Cylinder barrel	1	3600
	9000015711	Cylinder barrel	1	3200
	9000015717	Cylinder barrel	1	2900
9	0000023415	Screw	1	M8x10
10	0000022026	Combined sealing washer	1	8
11	9000015695	Piston	1	
12	9000015661	Supporting ring	1	40x45x10
□,1	9000016345	Outer cylinder seal assembly	1	

Fig.20 Drive system assembly

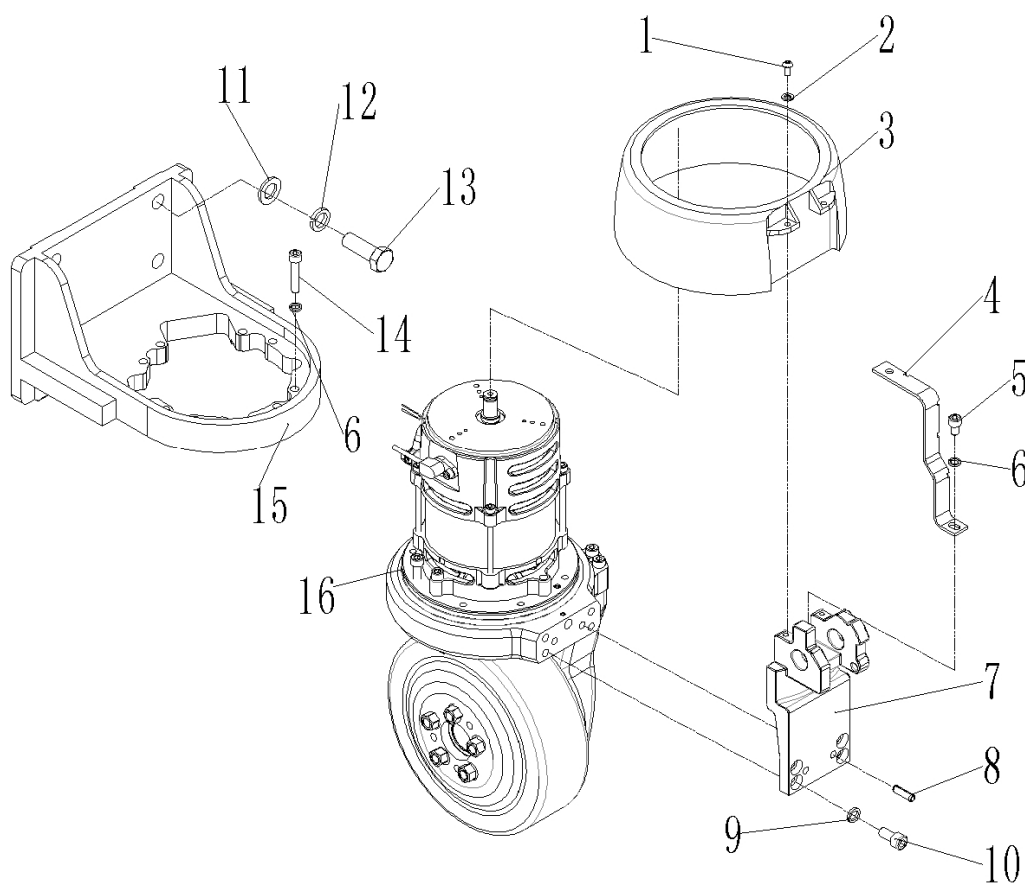


Fig.20 Drive System Assembly

No.	Art No.	Description	Qty.	Note
1	0000023045	Screw	2	M6x12
2	0000023055	Washer	2	6
3	9000015376	Driving wheel cover	1	
4	9000015378	Cable holder	1	
5	0000023089	Screw	1	M8x12
6	0000025001	Washer	5	8
7	9000011355	Handle seat	1	
8	0000028116	Elastic dowel pin	2	8x26
9	0000023006	Washer	4	10
10	0000023034	Screw	4	M10x20
11	0000025029	Washer	4	16
12	0000025055	Washer	4	16
13	0000023583	Bolt	4	M16x45
14	0000023077	Screw	4	M8x40
15	9000015377	Driving wheel seat	1	
16	9000010249	AC vertical drive assembly	1	

Fig.21 Load wheel assembly

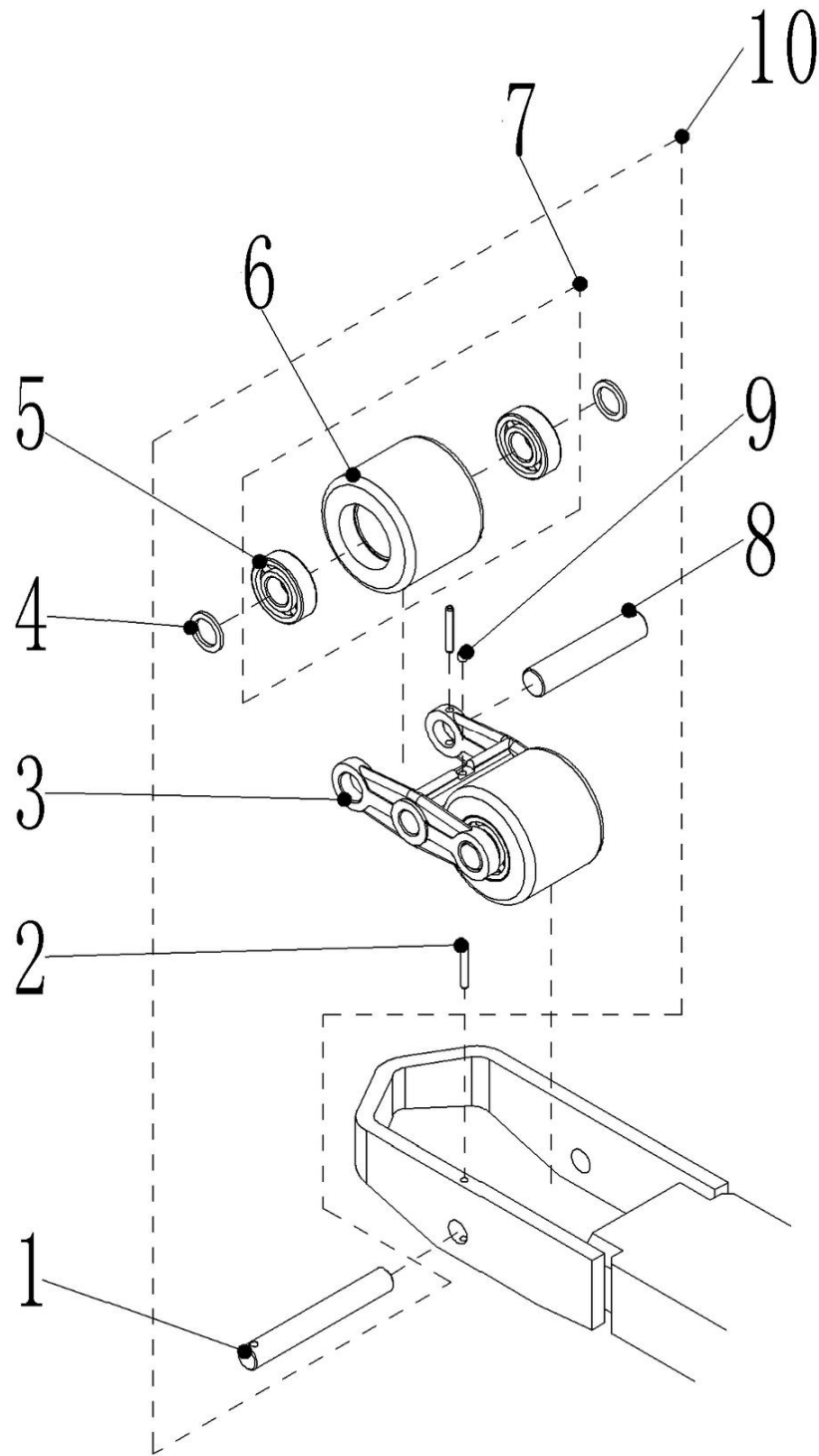


Fig.21 Load Wheel Assembly

No.	Art No.	Description	Qty.	Note
1	9000012092	Connecting shaft	2	
2	0000028009	Elastic dowel pin	6	5x35
3	9000012093	Double wheel carrier	2	
4	9000010718	Adjusting washer	8	(thickness 2.5)
5	0000027001	Bearing	8	6204
6	1000507011	Load wheel	4	Ø84X70
7	9000010727	Wheels fittings	4	
8	9000012094	Small wheel shaft	4	
9	0000030001	Grease cup	1	6
10	9000010728	Load wheel assembly	2	

Fig.22 Handle assembly

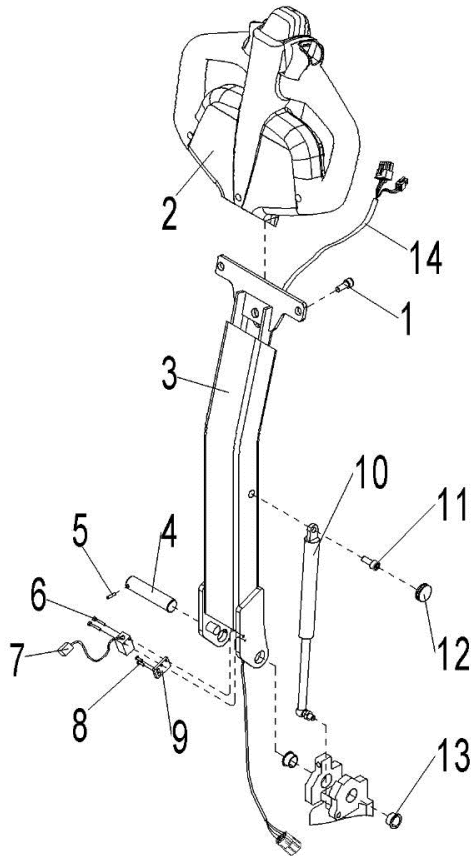


Fig.22 Handle Assembly

No.	Art No.	Description	Qty.	Note
1	0000023047	Screw	2	M8x25
2	1100100001	Canbus control handle C	1	94300-90
3	9000010693	Handle bar	1	
4	9000010694	Spindle	1	
5	0000028024	Elastic dowel pin	1	4x16
6	0000023075	Screw	2	M3x20
7	900000832	9 Interlock switch	1	
8	0000023056	Screw	2	M4x12
9	9000010695	Switch baseplate	1	
10	9000011289	Air spring	1	
11	0000023044	Screw	1	M8x20
12	9000010696	Envelope	1	
13	0000013002	Bushing	2	20x22x12
14	9000010635	Handle control harness	1	

Fig.23 Pump system

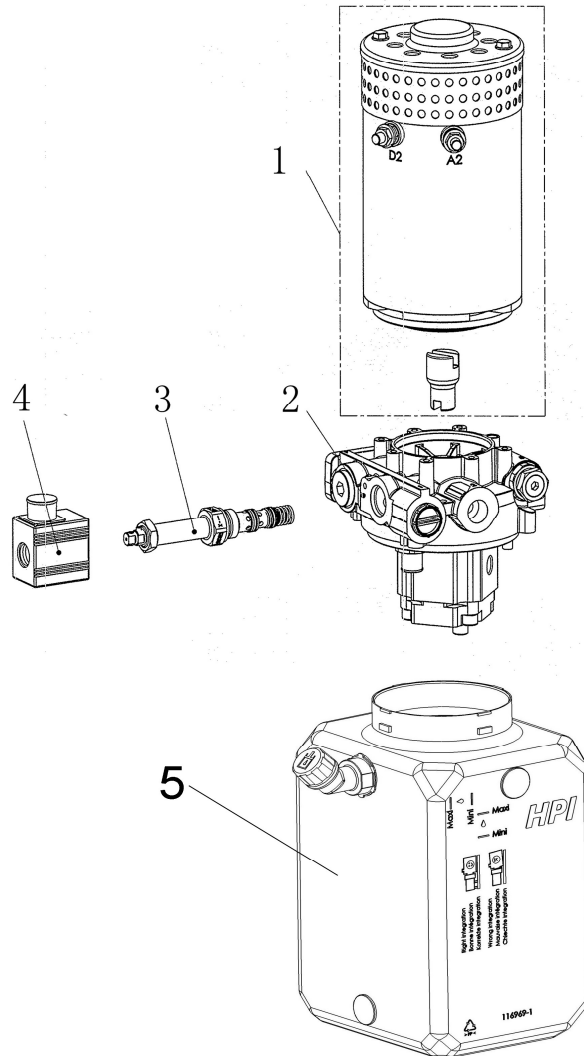


Fig.23 Pump System

No.	Art No.	Description	Qty.	Note
1	9000015641	Motor	1	1.5KW
2	9000015642	Centre valve	1	
3	9000015643	Solenoid valve core	1	
4	9000015644	Coil	1	
5	9000016362	Oil tank	1	

Fig.24 Main circuit harness

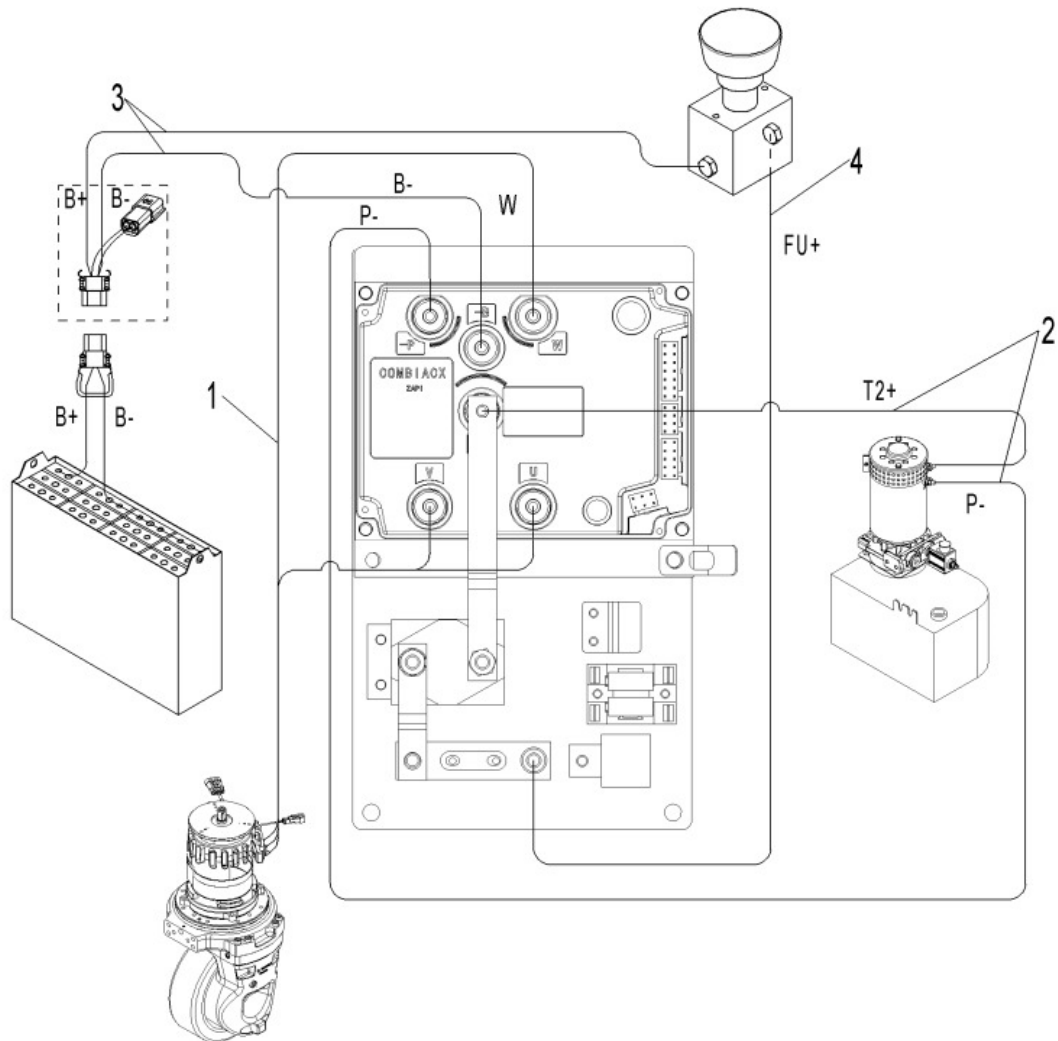


Fig.24 Main circuit harness

No.	Art No.	Description	Qty.	Note
1	9000010652	Drive motor harness	1	
2	9000016346	Pump motor harness	1	
3	9000010654	Power harness	1	
4	9000010655	Harness	1	FU+

Fig.25 Electrical general part

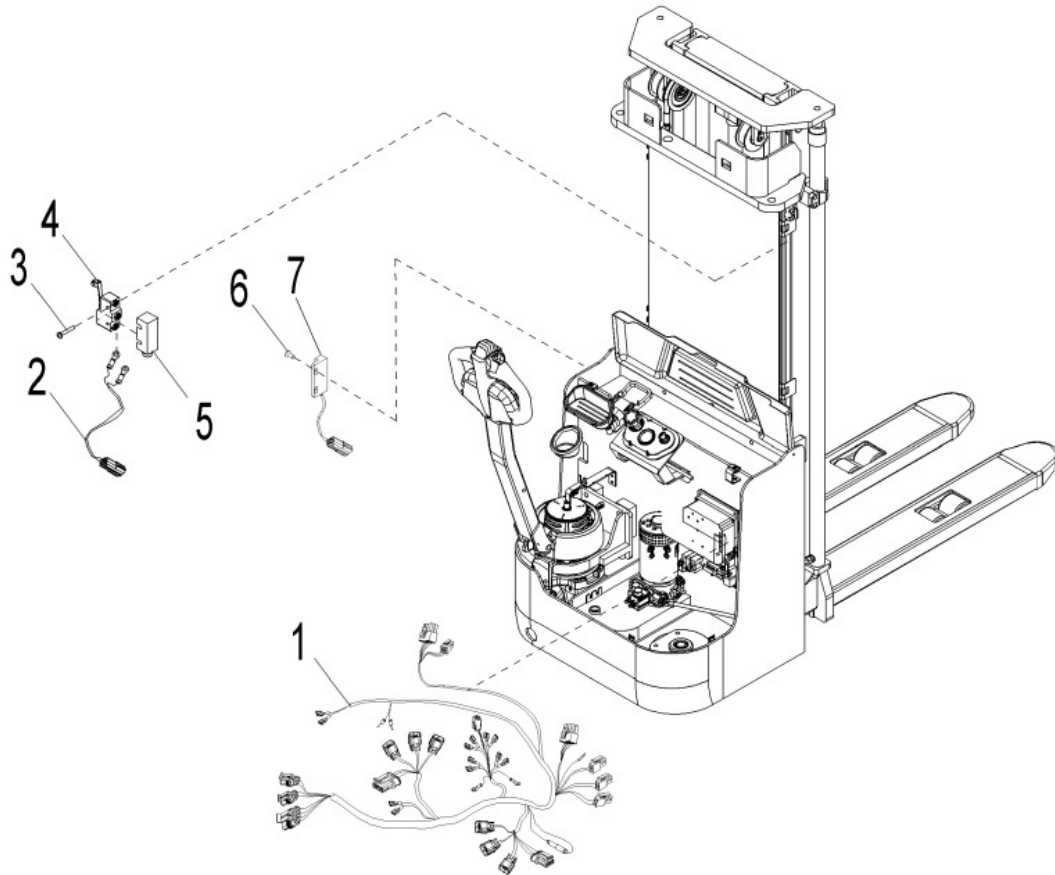


Fig.25 Electrical general Part

No.	Art No.	Description	Qty.	Note
1	9000010649	Main control harness	1	
2	9000008360	Limit control harness	1	
3	0000023033	Screw	2	M4×25
4	2040634001	Micro switch	1	XZ-15GW22-B
5	2040603002	Micro switch protective cover	1	
6	0000023216	Screw	3	M3×8
7	9000008332	Magnet switch	1	HWK23

Fig.26 Controller assembly

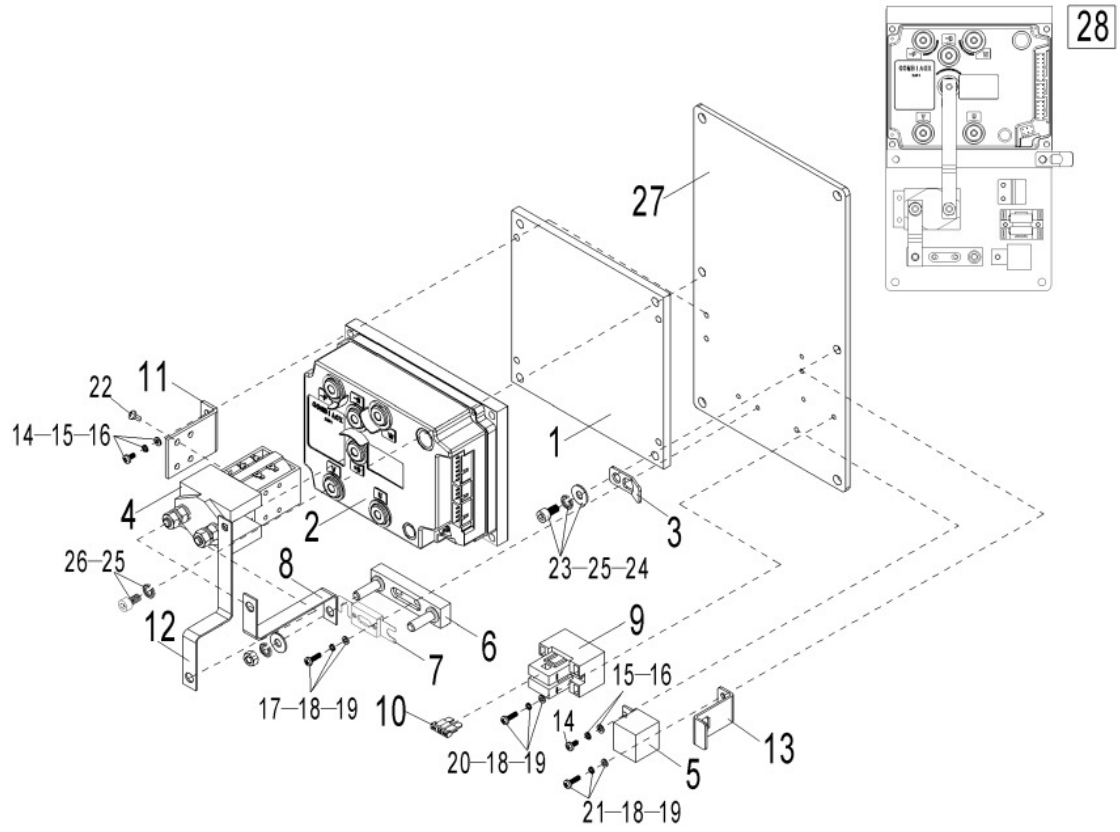


Fig.26 Controller Assembly

No.	Art No.	Description	Qty.	Note
1	9000010659	Aluminium plate	1	
2	9000016047	Controller	1	COMBIACX24V/240A+270A
3	9000009791	Line hanging board	3	
4	2390434003	Contactor	1	SW180B-4 DC24V
5	1000434041	Relay	1	ACR01F-F-1AD DC24V
6	1000434007	Fuse seat	1	SYU
7	9000008635	Fuse	1	350A
8	9000010657	Copper bar	1	
9	9000008586	Fuse base	1	BD-2X10A-1
10	1000434040	Plug fuse	2	10A
11	9000000002	Contactor holder	1	
12	9000010656	Copper bar	1	
13	9000007679	Programmer plug-in holder	1	
14	0000023516	Screw	3	M5x10
15	0000025015	Washer	3	5
16	0000025014	Washer	3	5
17	0000023211	Screw	6	M4x16
18	0000025018	Washer	6	4
19	0000025019	Washer	6	4
20	0000023019	Screw	2	M4x30
21	0000023307	Screw	6	M4x10
22	0090000395	Screw	2	M5x8
23	0000023166	Screw	1	M8x20
24	0000025005	Washer	1	8
25	0000025001	Washer	2	8
26	0000023089	Screw	2	M8x16
27	9000015362	Controller fixing plate	1	
28	9000010658	Controller assembly	1	

Fig.27 Load backrest

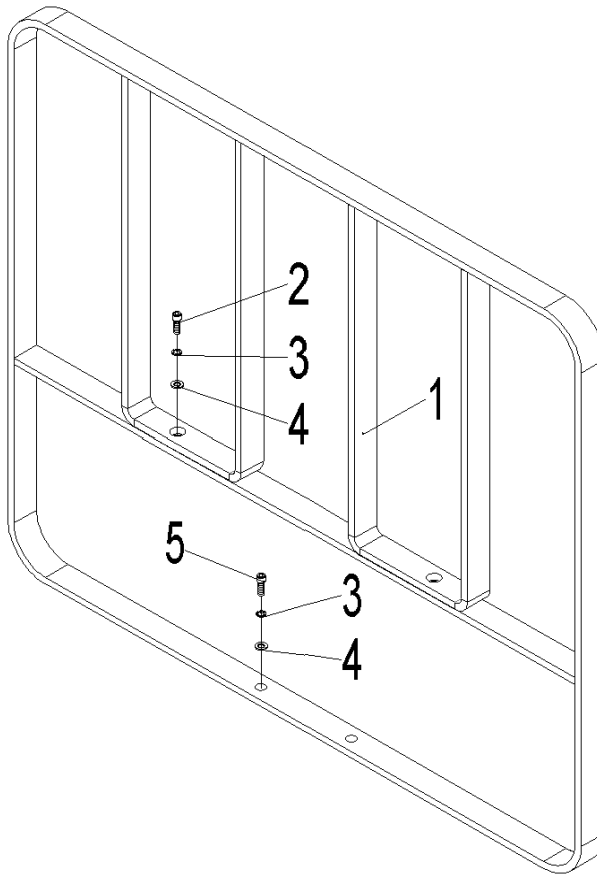


Fig.27 Load Backrest

No.	Art No.	Description	Qty.	Note
1	9000008259	Load backrest	1	
2	0000023088	Screw	2	M10×25
3	0000025002	Washer	4	10
4	0000023006	Washer	4	10
5	0000023029	Screw	2	M10×35

Easy worn parts list

No.	Art No.	Description	Qty.	Fig./Position	Note
1	0000027013	Bearing	2	Fig.9/3	Steering wheel assembly
2	0000027001	Bearing	2	Fig.9/11	Steering wheel assembly Load wheel assembly
			8	Fig.21/5	
3	2210416001	Rear wheel	1	Fig.9/12	Steering wheel assembly
4	9000016336	Dust ring	1	Fig.17/1	Two-stage Mast outer Cylinder Assembly (full free lift)
5	9000016337	Seal ring	1	Fig.17/2	
6	9000016338	Seal ring	1	Fig.17/3	
7	9000016339	Supporting ring	1	Fig.17/4	
8	9000015660	O ring	1	Fig.17/6	
			1	Fig.19/6	
9	9000015661	Supporting ring	1	Fig.17/13	
			1	Fig.19/12	
10	9000016335	Outer cylinder seal assembly	1	Fig.17/□,1	
11	9000010701	Dust ring	1	Fig.18/2	
12	9000016340	Stop collar	1	Fig.18/3	
13	9000010700	Y seal ring	1	Fig.18/4	
14	9000015664	O ring	1	Fig.18/6	
15	9000016341	Stop collar	1	Fig.18/7	
16	9000015667	Supporting ring	1	Fig.18/13	
17	9000016343	Middle cylinder seal assembly	1	Fig.18/□,1	
18	9000009075	Dust ring	1	Fig.19/1	Two-stage Mast outer Cylinder Assembly (standard lift)
19	9000009079	Seal ring	1	Fig.19/2	
20	9000008953	Seal ring	1	Fig.19/3	
21	9000016344	Supporting ring	1	Fig.19/4	
22	9000016345	Outer cylinder seal assembly	1	Fig.19/□,1	
23	1000507011	Load wheel	4	Fig.21/6	Load Wheel Assembly
24	9000010728	Load wheel assembly	4	Fig.21/10	
25	9000008329	Interlock switch	2	Fig.22/7	Handle Assembly
26	9000011289	Air spring	1	Fig.22/10	
27	2040634001	Micro switch	1	Fig.25/4	Electrical general Part
28	9000008332	Magnet switch	2	Fig.25/7	
29	9000008635	Fuse	1	Fig.26/7	Controller Assembly
30	1000434040	Plug fuse	1	Fig.26/10	