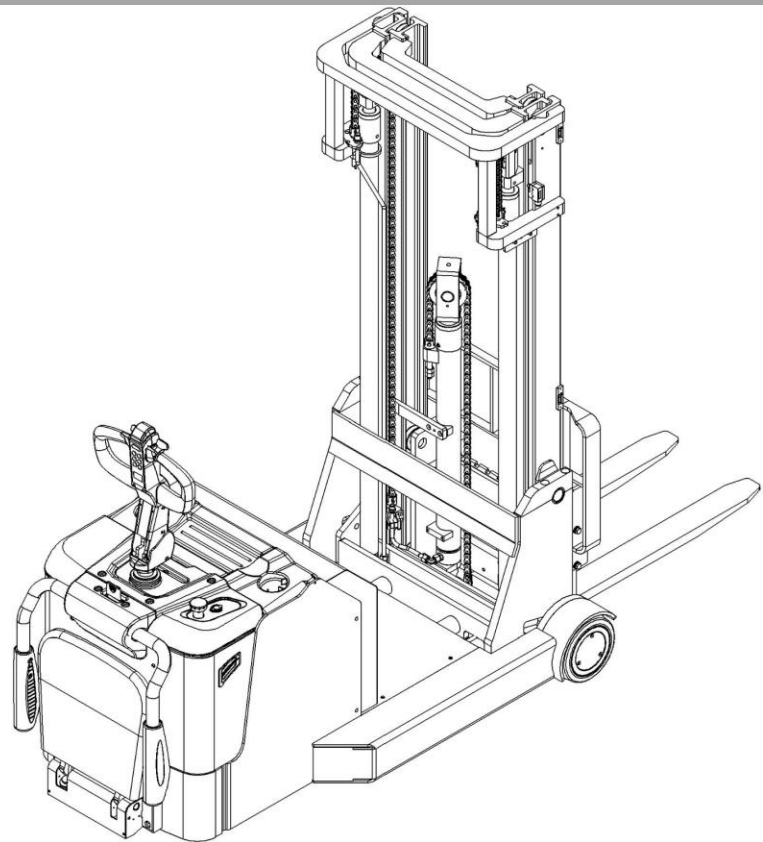


NOBLELIFT

SPARE PARTS LIST

Electric Stacker (PS12/15CB-C)



Version 07/2020

Truck identification number from :

PS12/15CB-C -BPT-001-CHN

TABLE OF CONTENTS

Fig. 1 Labels and decals (US).....	1
Fig. 2 Labels and decals (EU).....	Ошибка! Закладка не определена.
Fig. 3 Truck structure.....	3
Fig. 4 Protective arm.....	6
Fig. 5 Indicator components.....	8
Fig. 6 Battery compartment cover.....	10
Fig. 7 Battery (PS12CB-C).....	11
Fig. 8 Battery (PS15CB-C).....	12
Fig. 9 Tiller assembly.....	14
Fig. 10 Tiller (without tilt).....	16
Fig. 11 Tiller (with tilt).....	18
Fig. 12 Platform assembly.....	20
Fig. 13 Load wheel assembly.....	22
Fig. 14 Carriage assembly.....	23
Fig. 15 Three stage mast (full free lift).....	24
Fig. 16 Two stage mast (standard lift).....	26
Fig. 17 One stage mast.....	28
Fig. 18 Three stage mast (full free lift) assembly.....	30
Fig. 19 Two stage mast (standard lift) assembly.....	34
Fig. 20 One stage mast assembly.....	37
Fig. 21 Outer cylinder of three stage mast (full free lift).....	39
Fig. 22 Middle cylinder of three stage mast (full free lift).....	41
Fig. 23 Outer cylinder of two stage mast (standard lift).....	43
Fig. 24 Middle cylinder of one stage mast.....	45
Fig. 25 Electronic power steering unit.....	47
Fig. 26 Drive unit.....	49
Fig. 27 Drive assembly.....	51
Fig. 28 Hydraulic system (without tilt).....	54
Fig. 29 Hydraulic system (with tilt).....	56
Fig. 30 Hydraulic power unit (2.2KW).....	59
Fig. 31 Hydraulic power unit (3.0KW).....	61
Fig. 32 Electric system (without tilt).....	63
Fig. 33 Electric system (with tilt).....	65
Fig. 34 Electrical control system.....	67

Wearing parts list**Ошибка! Закладка не определена.**

Fig. 1 Labels and decals (US)

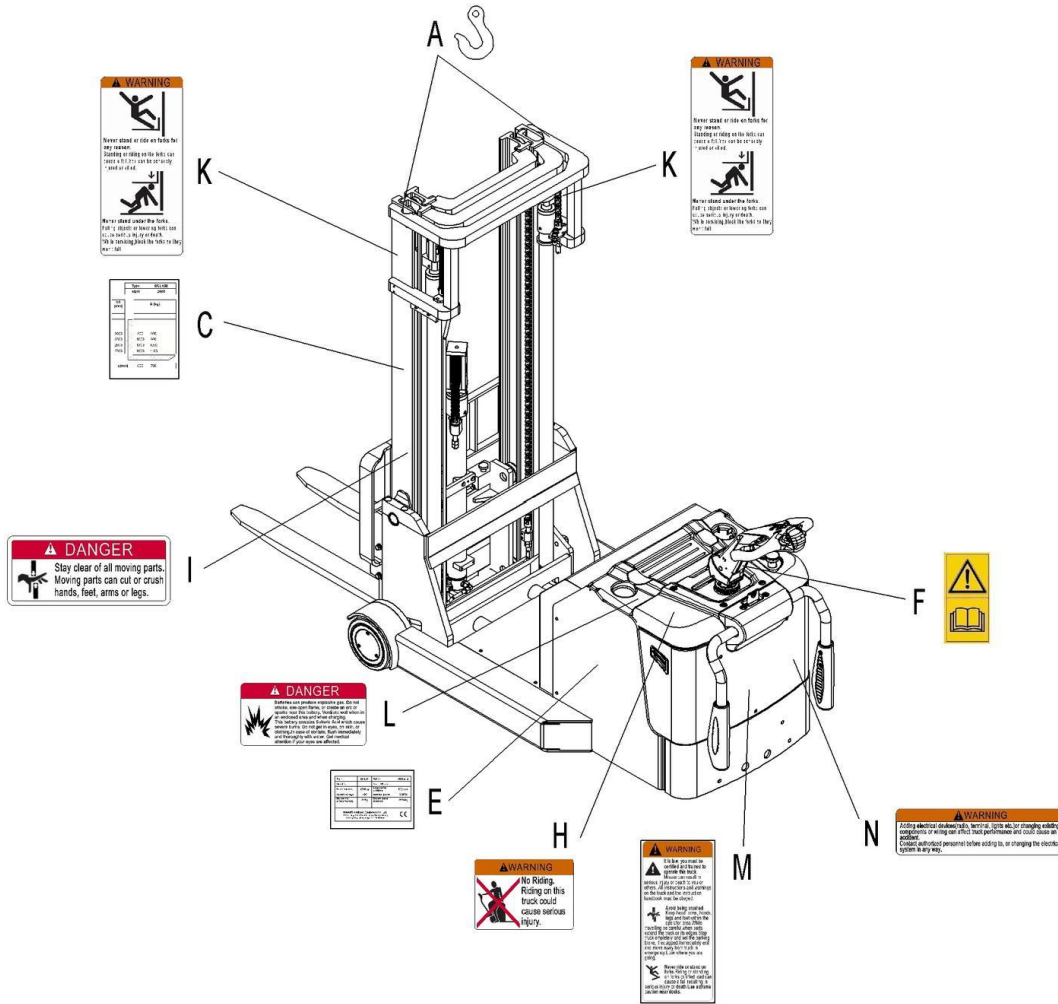


Fig. 1 Labels and decals (US)

No.	Art No.	Description	Qty.	Note
A	941200300001	Label (crane hook)	2	
C	204247520000	Label (residual capacity)	1	
E	204247520000	Label (CE mark)	1	
F	941200300002	Warning label (read the manual)	1	
H	941200100011	Warning label (no passengers)	1	
I	941200100014	Warning label (hands pinching)	1	
K	941200100016	Warning label (forks)	2	
L	941200100013	Warning label (battery)	1	
M	941200100009	Warning label (truck)	1	
N	941200100010	Warning label (no modification to electrical parts)	1	

Fig. 2 Labels and decals (EU)

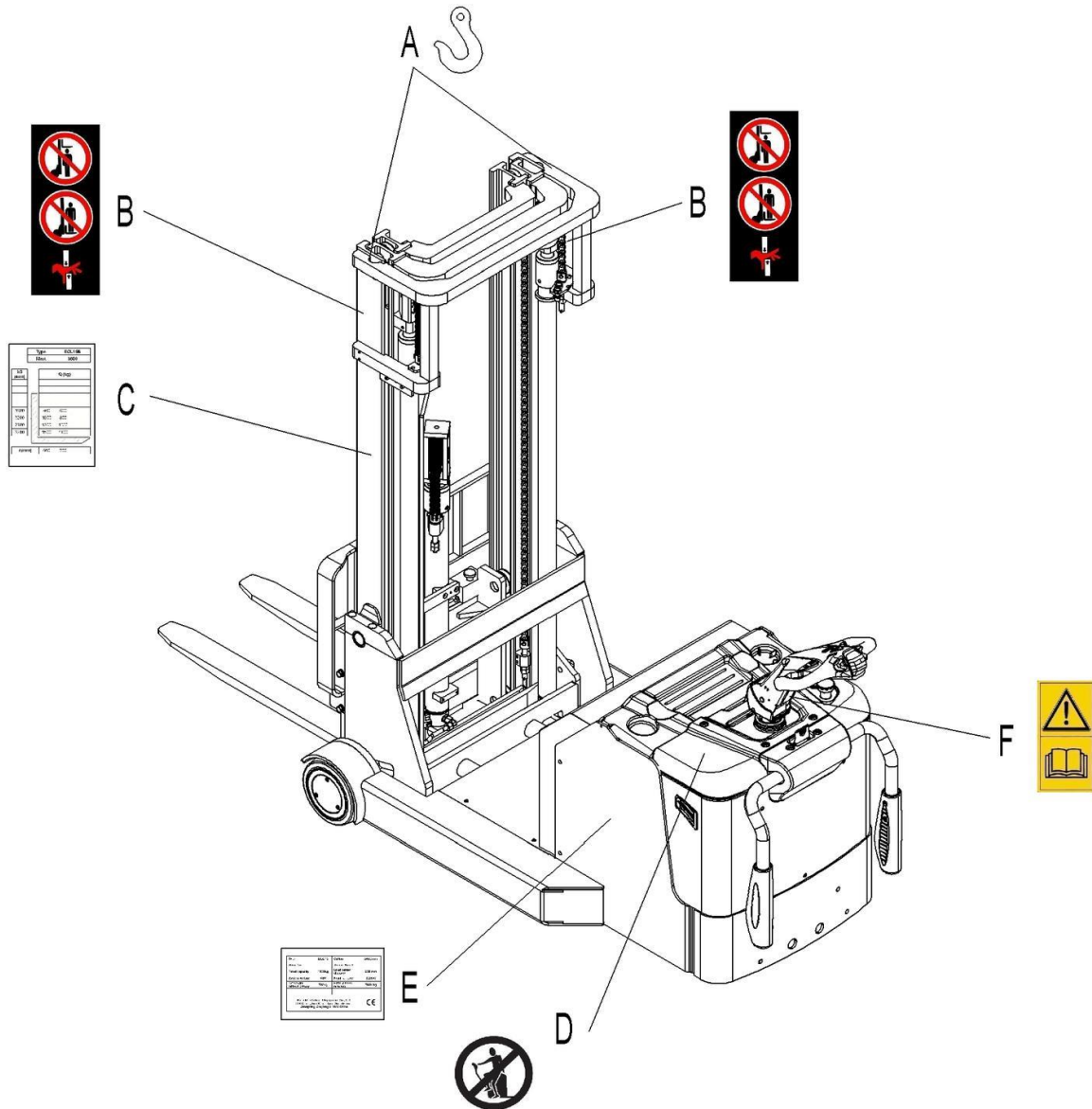


Fig. 2 Labels and decals (EU)

No.	Art No.	Description	Qty.	Note
A	941200300001	Label (crane hook)	2	
B	941200100004	Warning label (truck)	2	
C	204447520000	Label (residual capacity)	1	
D	941200100003	Warning label (no passengers)	1	
E	204447020000	Label (CE mark)	1	
F	941200300002	Warning label (read the manual)	1	

Fig. 3 Truck structure

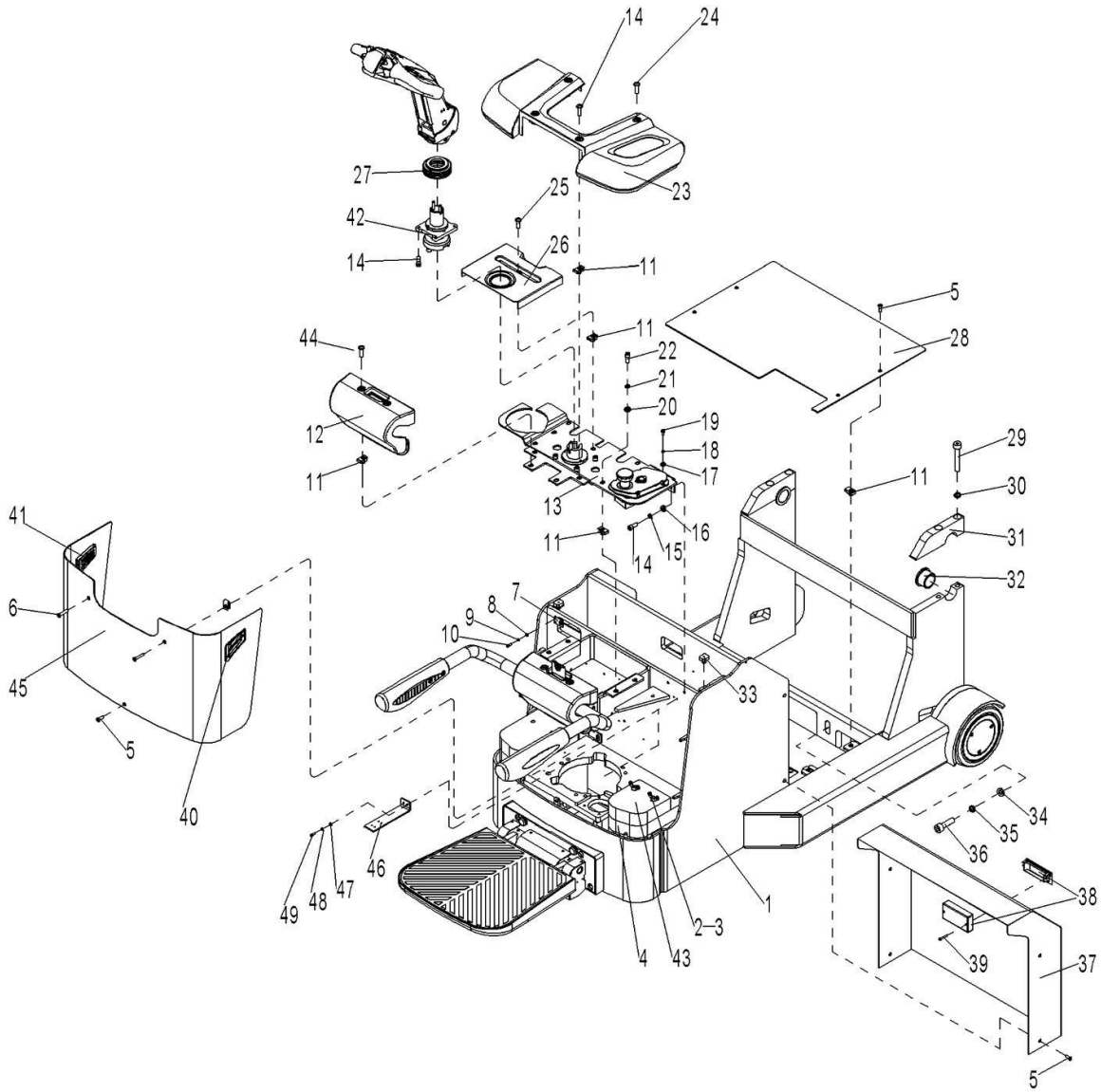


Fig. 3 Truck structure

No.	Art No.	Description	Qty.	Note
1	204221510000	Chassis welding	1	PS12CB-C, without tilt
	204221510002			PS12CB-C, with tilt
	204321510001			PS15CB-C, without tilt
	204321510000			PS15CB-C, with tilt
2	204221520026	Screw stem	4	
3	910301500001	Nut	4	M10x1.5
4	204221520025	Clump weight	11	
5	941100100005	Screw	9	M10x15
6	941100100003	Screw	4	M10x35
7	535921520029	Mounting plate	1	
8	910400100004	Flat washer	2	5
9	910400500004	Spring washer	2	5
10	910200200023	Screw	2	M5x16
11	940400400003	Spring nut	14	M10
12	505621520025	Protective arm cover	1	
13	532621520025	Panel	1	
14	910200200075	Screw	6	M10x20
15	910400500008	Spring washer	2	12
16	910400100008	Flat washer	2	12
17	910400100005	Flat washer	4	6
18	910400500005	Spring washer	4	6
19	910200200035	Screw	4	M6x16
20	910200200077	Screw	4	M10x30
21	910400500007	Spring washer	4	10
22	910400100007	Flat washer	4	10
23	505621520024	Panel cover (upper part)	1	
24	941100100002	Screw	2	M10x55
25	941100100007	Screw	1	M10x20
26	505621520026	Panel cover (middle part)	1	
27	940600400001	Dust proof cap	1	
28	204221520022	Cover plate	1	PS12CB-C
	204321520008			PS15CB-C
29	910200200126	Screw	4	M16x65
30	910400500010	Spring washer	4	16

31	204421520026	Metal rib (mast axle)	2	
32	204221520028	Bushing (with shoulder)	2	PS12CB-C, without tilt
				PS15CB-C, without tilt
	940500400001	Bearing		PS12CB-C, with tilt
PS15CB-C, with tilt				
33	505938520016	Buffer gasket	2	
34	910400100012	Flat washer20	2	PS12CB-C,without tilt PS15CB-C,without tilt
35	910400500012	Spring washer20		
36	910100300083	Bolt M20x60		
37	204221510001	Outer cover welding	1	
38	206521510010	Grip	1	
39	910200500015	Screw	2	M3x20
40	505621510004	Right vent hole kits	1	
41	505621510003	Left vent hole kits	1	
42	505631510000	Electrical steering components	1	
43	204221520029	Clump weight (upper)	1	
44	941100100003	ScrewM10x35-8.8	2	
45	204221510003	Outer bumper welding	1	
46	204221520024	Mounting plate (key switch)	1	
47	910400100005	Flat washer	2	6
48	910400500005	Spring washer	2	6
49	910200200035	Screw	2	M6x16

Fig. 4 Protective arm

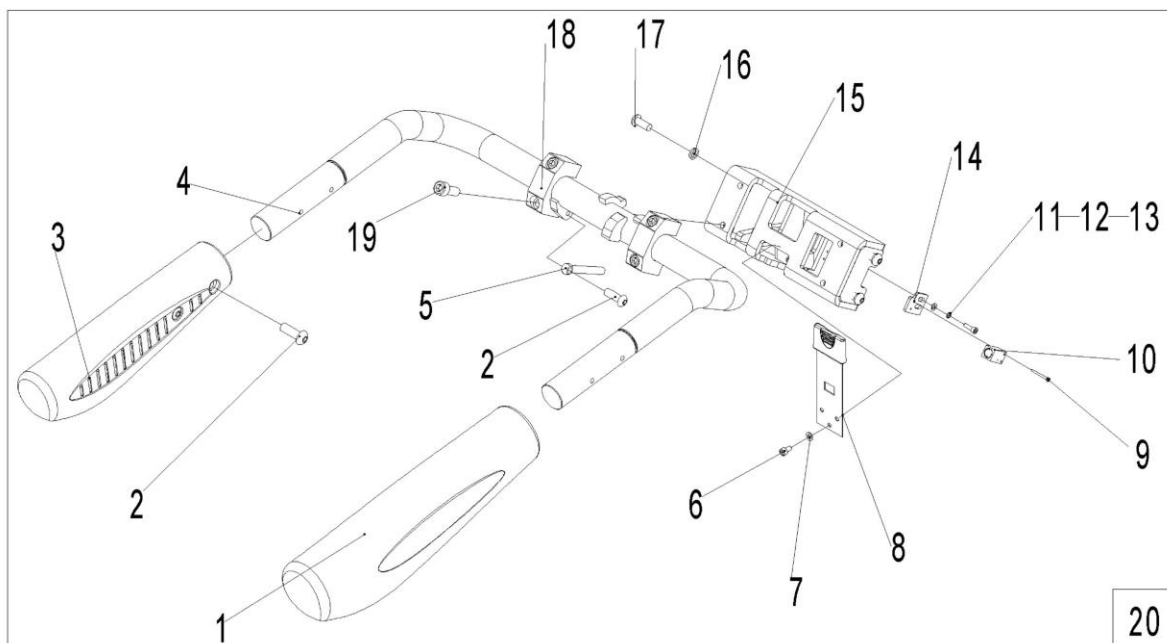


Fig. 4 Protective arm

No.	Art No.	Description	Qty.	Note
1	505617510002	Protective arm cover 2	1	
2	910200300025	Screw	5	M8x20
3	505617510004	Protective arm cover 1	1	
4	505617510001	Protective arm welding	1	
5	940400100006	Air spring	1	550N
6	910200300017	Screw	3	M6x12
7	910400500005	Spring washer	3	6
8	505617510005	Tacking gasket	1	
9	910200500015	Screw	2	M3x20
10	505633510001	Proximity switch	1	NBN5-F7-E2
11	910400500004	Spring washer	2	5
12	910400100004	Flat washer	2	5
13	910200200023	Screw	2	M5x16
14	532617520001	Mounting plate (dual switch)	1	
15	505617510000	Protective arm base welding	1	
16	910400500007	Spring washer	4	10
17	910100300036	Bolt	4	M10x25
18	505617520005	Clamp block	2	
19	910200200080	Screw	4	M10x45
20	505617501000	Protective arm assembly	1	

Fig. 5 Indicator components

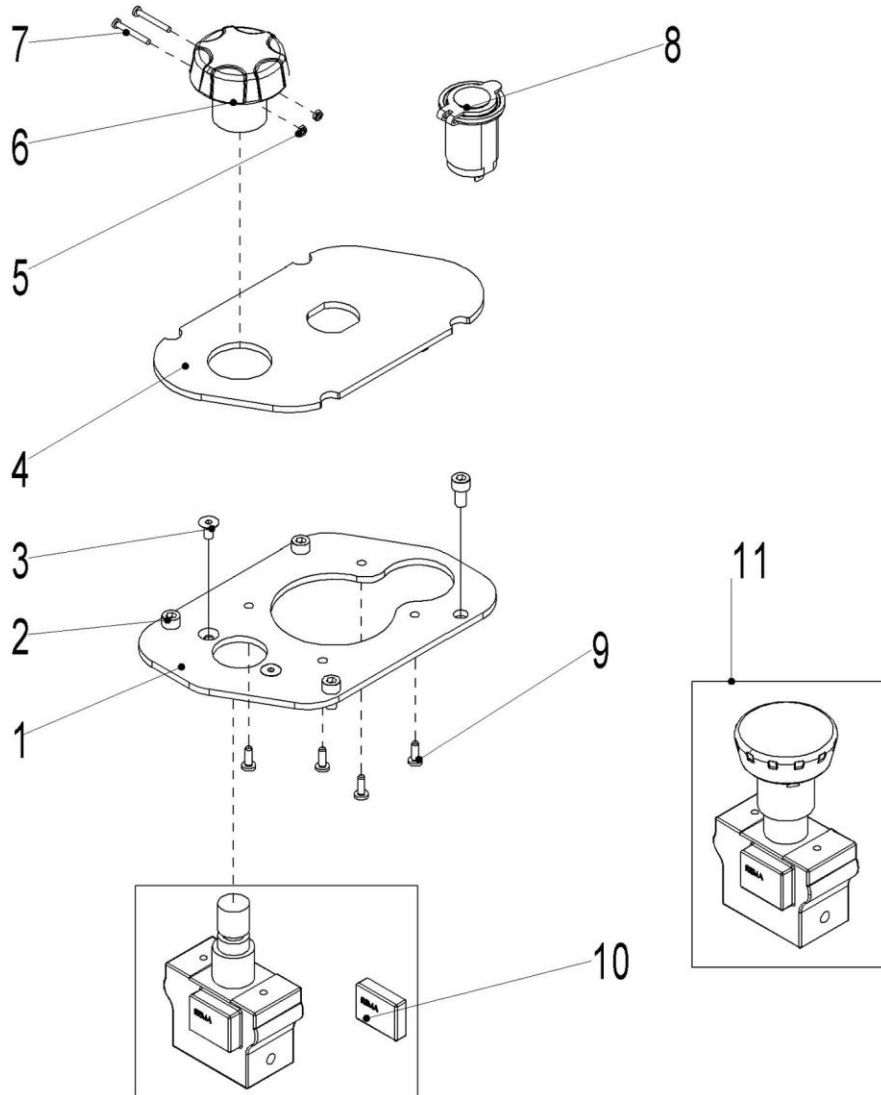


Fig. 5 Indicator components

No.	Art No.	Description	Qty.	Note
1	505610020001	Fixing plate	1	
2	910200200035	Screw	4	M6x16
3	910200400011	Screw	2	M5x12
4	204210010000	Panel welding (indicator)	1	
5	910300100002	Nut	2	M3
6	505698520029	Emergency stop button	1	
7	910200500016	Screw	2	M3x25
8	206033010036	USB socket	1	
9	910200500021	Screw	4	M4x10
10	505698520030	Proximity switch	1	
11	920200100001	Emergency stop switch	1	ZDK32-350

Fig. 6 Battery compartment cover

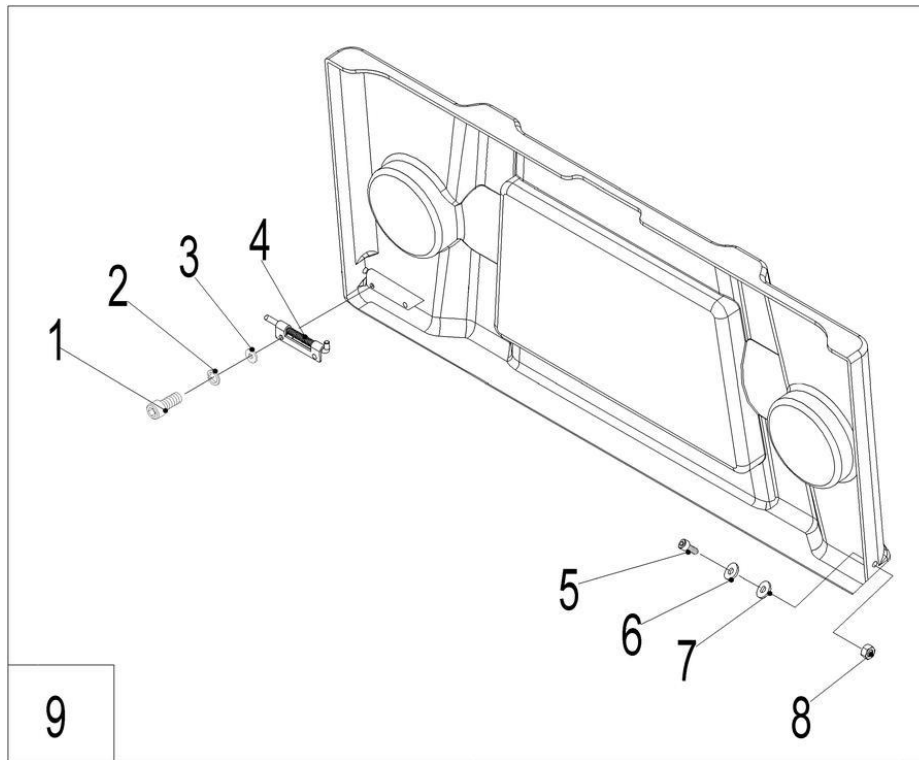


Fig. 6 Battery compartment cover

No.	Art No.	Description	Qty.	Note
1	910200200013	Screw	2	M4x10
2	910400500003	Spring washer	2	4
3	910400100003	Flat washer	2	4
4	940800900001	Pin	1	
5	910200200024	Screw	1	M5x20
6	910400500004	Spring washer	1	5
7	910400100004	Flat washer	1	5
8	910300300002	Nut	1	M5
9	532621001000	Battery compartment cover assembly	1	PS15CB-C
	532621001001			PS12CB-C

Fig. 7 Battery (PS12CB-C)

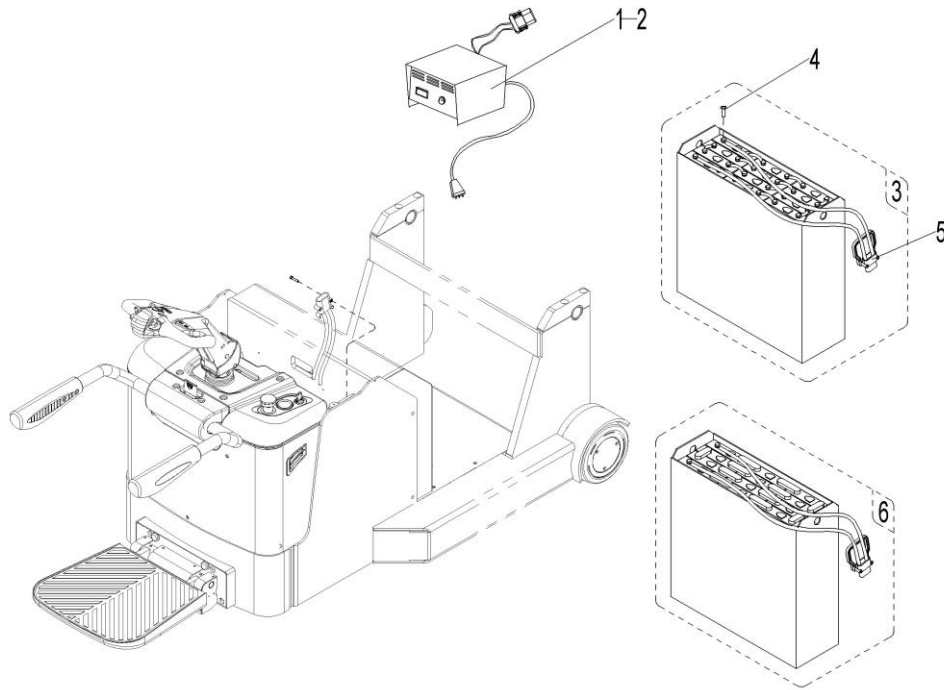


Fig. 7 Battery (PS12CB-C)

No.	Art No.	Description	Qty.	Note
1	921000200486	Charger SWCH24V30A	1	
2	921500200052	Power cord cable 3x1.5mm ² (Asia)	1	
	921500200058	Power cord cable 3x1.5mm ² (EN)	1	
	921500200054	Power cord cable 3x1.5mm ² (US)	1	
	921500200053	Power cord cable 3x1.5mm ² (EU)	1	
	921500200055	Power cord cable 3x1.5mm ² (AUS)	1	
	921500200056	Power cord cable 3x1.5mm ² (ITY)	1	
	921500200057	Power cord cable 3x1.5mm ² (Sweden)	1	
3	505637010000	Traction battery 24V-2PZS210	1	Bolt-type
4	505698520000	Screw M10x22	24	Only for bolt-type
5	505698510001	Connector components	1	
6	505637010001	Traction battery 24V-2PZS210 (welded)	1	Welded type

Fig. 8 Battery (PS15CB-C)

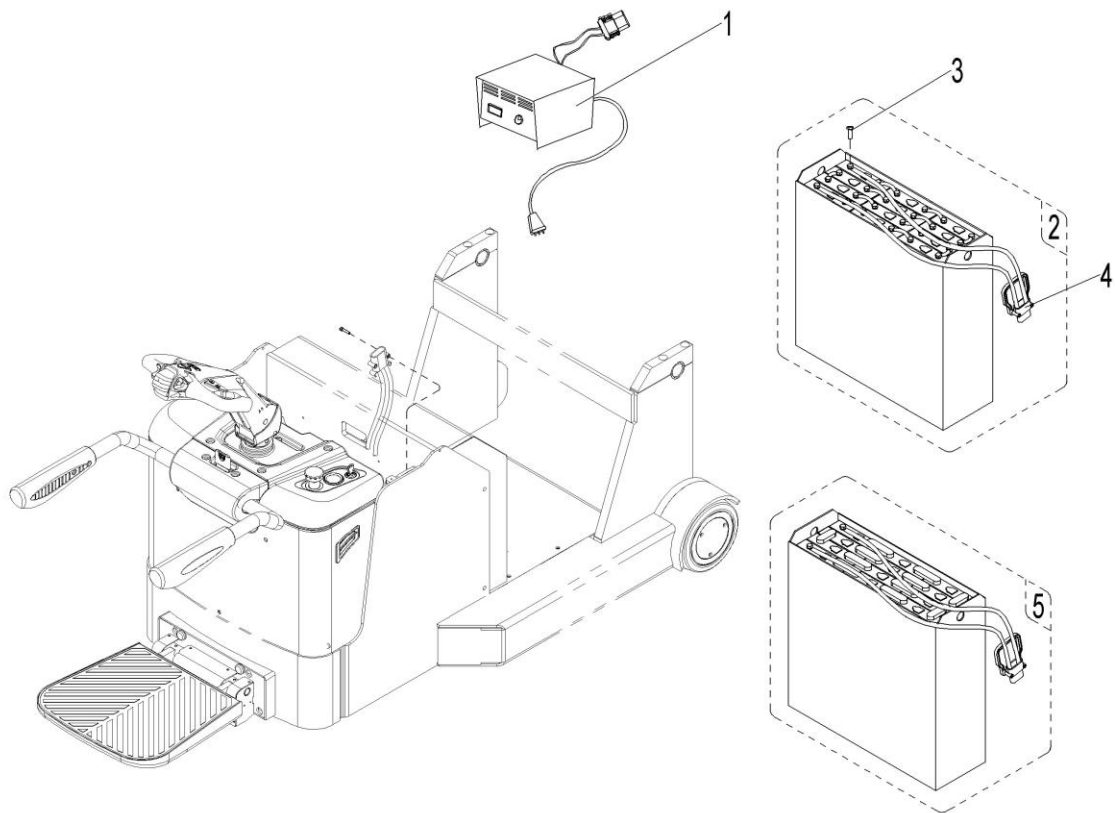


Fig. 8 Battery (PS15CB-C)

No.	Art No.	Description	Qty	Note
1	921000200183	Charger SN24V35A (Asia CHN)	1	
	921000200184	Charger SN24V35A (Asia EN)	1	
	921000200185	Charger SN24V35A (EU)	1	
	921000200186	Charger SN24V35A (EN)	1	
	921000200187	Charger SN24V35A (AUS)	1	
	921000200188	Charger SN24V35A (US)	1	
	921000200019	Charger SN24V45A(Asia CHN)	1	
	921000200020	Charger SN24V45A(Asia EN)	1	
	921000200021	Charger SN24V45A(EU)	1	
	921000200022	Charger SN24V45A(AUS)	1	
	921000200023	Charger SN24V45A(EN)	1	
	921000200024	Charger SN24V45A(US)	1	
2	532937010002	Traction battery 24V-3PZS270	1	Bolt-type
	532637010003	Traction battery 24V-3PZS350	1	Bolt-type
3	505698520000	Screw M10x22	24	Only for bolt-type
4	505698510001	Connector components	1	
5	532937010001	Traction battery 24V-3PZS270	1	Welded type
	532637010002	Traction battery 24V-3PZS350	1	Welded type

Fig. 9 Tiller assembly

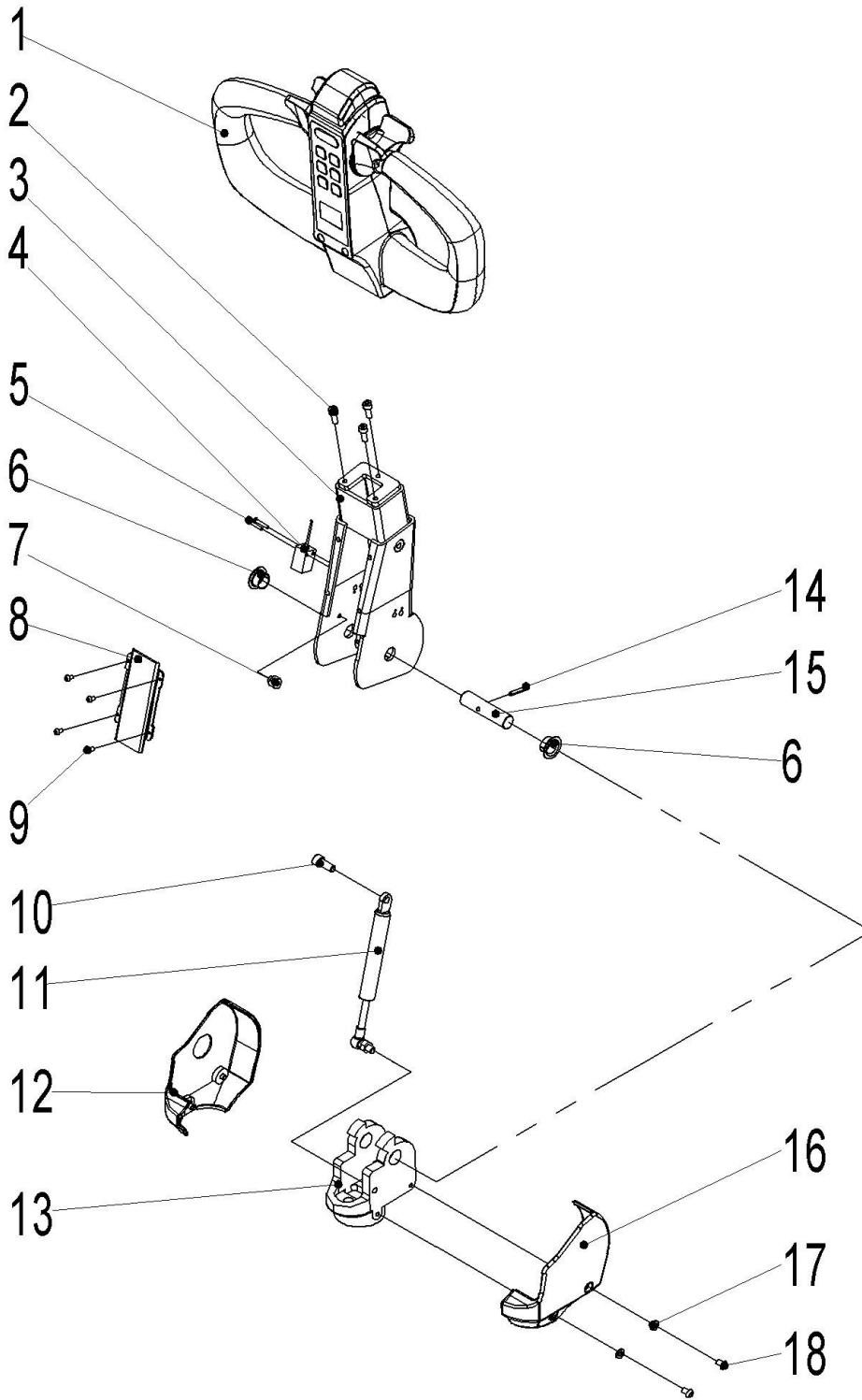


Fig. 9 Tiller assembly

No.	Art No.	Description	Qty.	Note
1	922100100038	Tiller grip YXS05-02	1	with tilt
	922100100029	Tiller grip YXS01-02	1	without tilt
2	910200200035	Screw	3	M6x16
3	537211010000	Tiller bar welding	1	
4	505633510000	Proximity switch	1	
5	910200500015	Screw	2	M3x20
6	940500200002	Bushing	2	
7	505611020007	Screw	1	
8	537211020004	Cover plate	1	
9	910200300005	Screw	4	M4x8
10	910200200057	Screw	1	M8x20
11	940400100041	Air spring	1	
12	535911020005	Protective cover	1	
13	535911020009	Tiller base	1	
14	910600400013	Cylindrical spring pin	1	4x24
15	505611020008	Axle	1	
16	535911020006	Protective cover	1	
17	910400500005	Spring washer	4	6
18	910200300016	Screw	4	M6x10

Fig. 10 Tiller (without tilt)

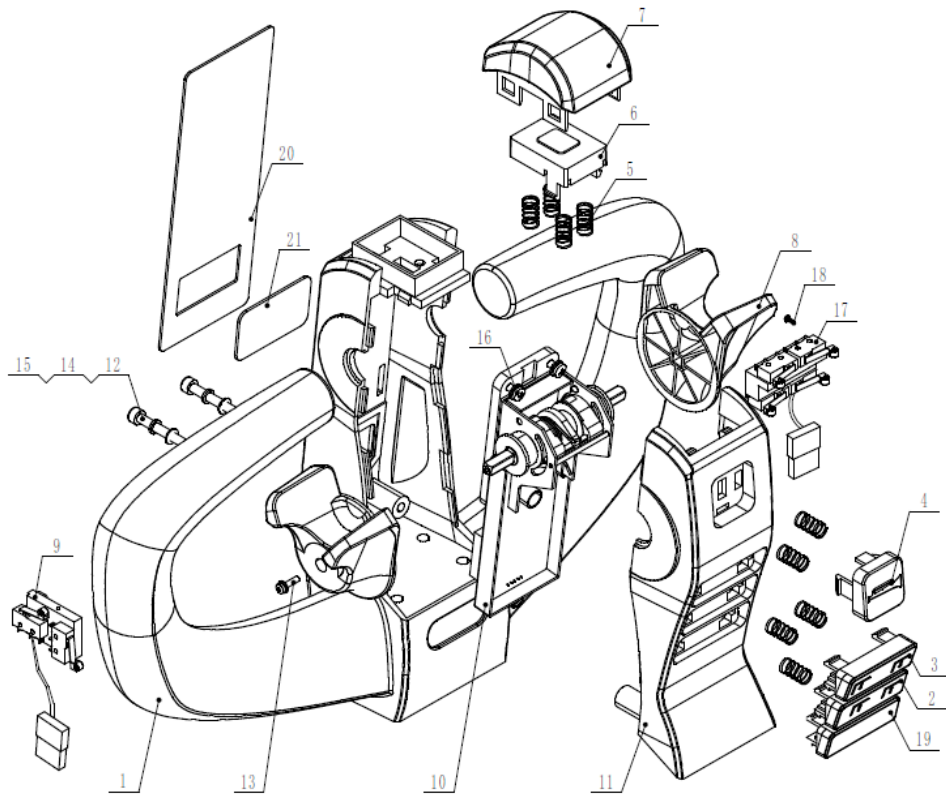


Fig. 10 Tiller (without tilt)

No.	Art No.	Description	Qty.	Note
1	509898520001	Plastic grip	1	00 1. 01 .9 000 3001
2	509898520002	Lowering button	1	00 1. 01 .9 000 3006
3	509898520003	Lifting button	1	00 1. 01 .9 000 30 05
4	509898520004	Horn button	1	00 1. 01 .9 000 30 22
5	537098520005	Spring ($\varphi 0.6 \times \varphi 8.7 \times 16$)	10	00 1. 01 .9 000 20 22
6	509898520006	Belly button base	1	00 1. 01 .9 000 30 21
7	509898520007	Belly button	1	00 1. 01 .9 000 30 04
8	509898520008	Acceleration knob	2	00 1. 01 .9 000 20 03
9	509898510000	Belly switch wire harness	1	09 01 -0 10 1-0 01
10	509898510001	NL01 Accelerator assembly	1	09 01 -0 10 1-0 02
11	509898520009	Upper cover	1	00 1. 01 .9 000 30 02
12	910200200027	Screw M 5x35	2	001 .0 1. 90101 00 6
13	910201900002	Screw M 3x10	2	001 .0 1. 90101 00 9
14	910400500004	Spring gasket 5	2	001 .0 1. 90105 00 2
15	910400100004	Flat gasket	2	001 .0 1. 90104 00 1
16	910201900003	Screw M4x12	4	001 .0 1. 90101 00 8
17	509898510002	Lifting and lowering switch wire harness	1	090 1- 01 01-00 3
18	910201400001	Screw ST2. 2x9.5	2	001 .0 1. 90103 00 1
19	509898520016	Button for sealing use	1	001 .0 1. 90003 01 0
20	509898520017	Operation panel	1	001 .0 1. 90403 00 2
21	509898510003	Outer screen for LCD display 30.5x40.5	1	001 .0 1. 90002 01 8

Fig. 11 Tiller (with tilt)

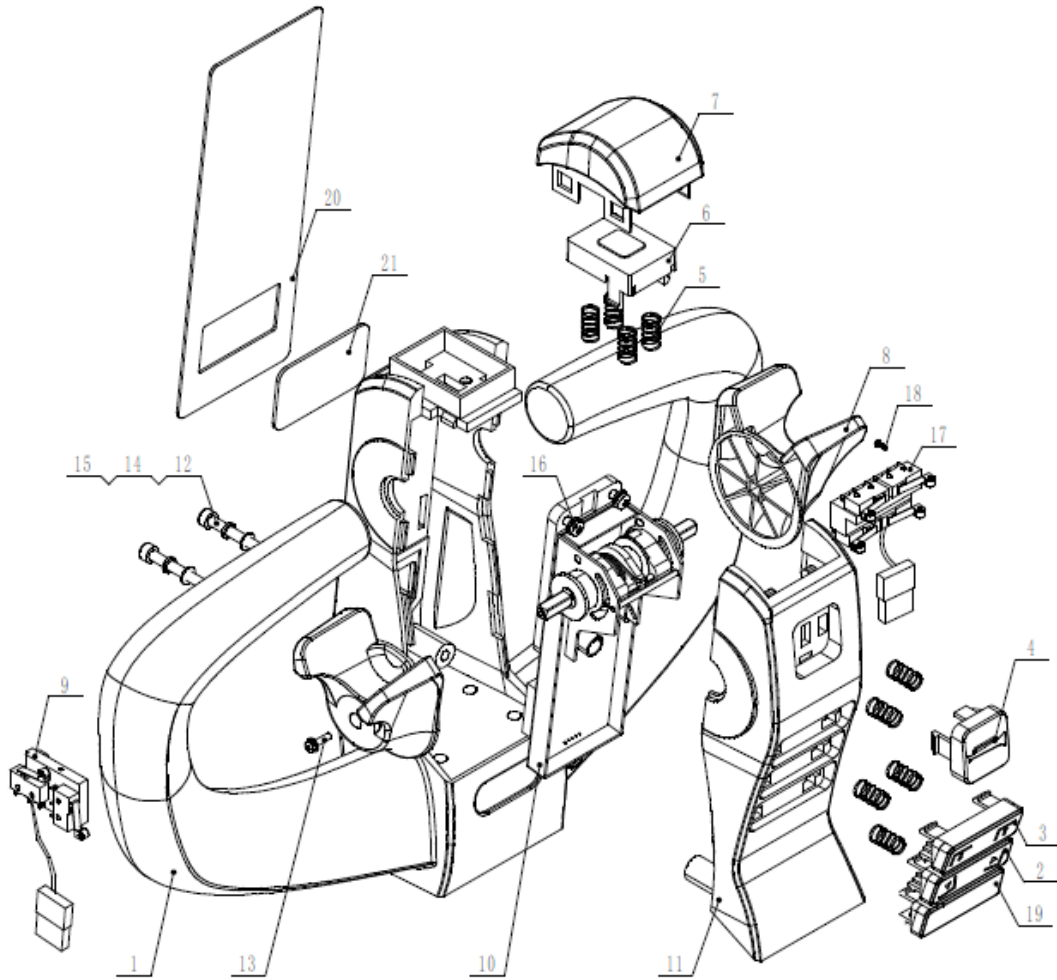


Fig. 11 Tiller (with tilt)

No.	Art No.	Description	Qty.	Note
1	509898520001	Plastic grip	1	00 1. 01 .9 000 3001
2	509898520002	Tilting up and down button	1	00 1. 01 .9 000 3008
3	509898520003	Lifting and lowering button	1	00 1. 01 .9 000 3009
4	509898520004	Horn button	1	00 1. 01 .9 000 30 22
5	537098520005	Spring (φ0.6xφ8.7x16)	10	00 1. 01 .9 000 20 22
6	509898520006	Belly button base	1	00 1. 01 .9 000 30 21
7	509898520007	Belly button	1	00 1. 01 .9 000 30 04
8	509898520008	Acceleration knob	2	00 1. 01 .9 000 20 03
9	509898510000	Belly switch wire harness	1	09 01 -0 10 1-0 01
10	204398510001	NL05 Accelerator assembly	1	09 01 -0 50 1-0 01
11	509898520009	Upper cover	1	00 1. 01 .9 000 30 02
12	910200200027	Screw M 5x35	2	001 .0 1. 90101 00 6
13	910201900002	Screw M 3x10	2	001 .0 1. 90101 00 9
14	910400500004	Spring gasket5	2	001 .0 1. 90105 00 2
15	910400100004	Flat gasket	2	001 .0 1. 90104 00 1
16	910201900003	Screw M4x12	4	001 .0 1. 90101 00 8
17	204398510002	Lift and tilt button wire harness	1	090 1- 05 01-00 2
18	910201400001	Screw ST2. 2x9.5	2	001 .0 1. 90103 00 1
19	509898520016	Button for sealing use	1	001 .0 1. 90003 01 0
20	509898520017	Operation panel	1	001 .0 1. 90403 00 2
21	509898510003	Outer screen for LCD display 30.5x40.5	1	001 .0 1. 90002 01 8

Fig. 12 Platform assembly

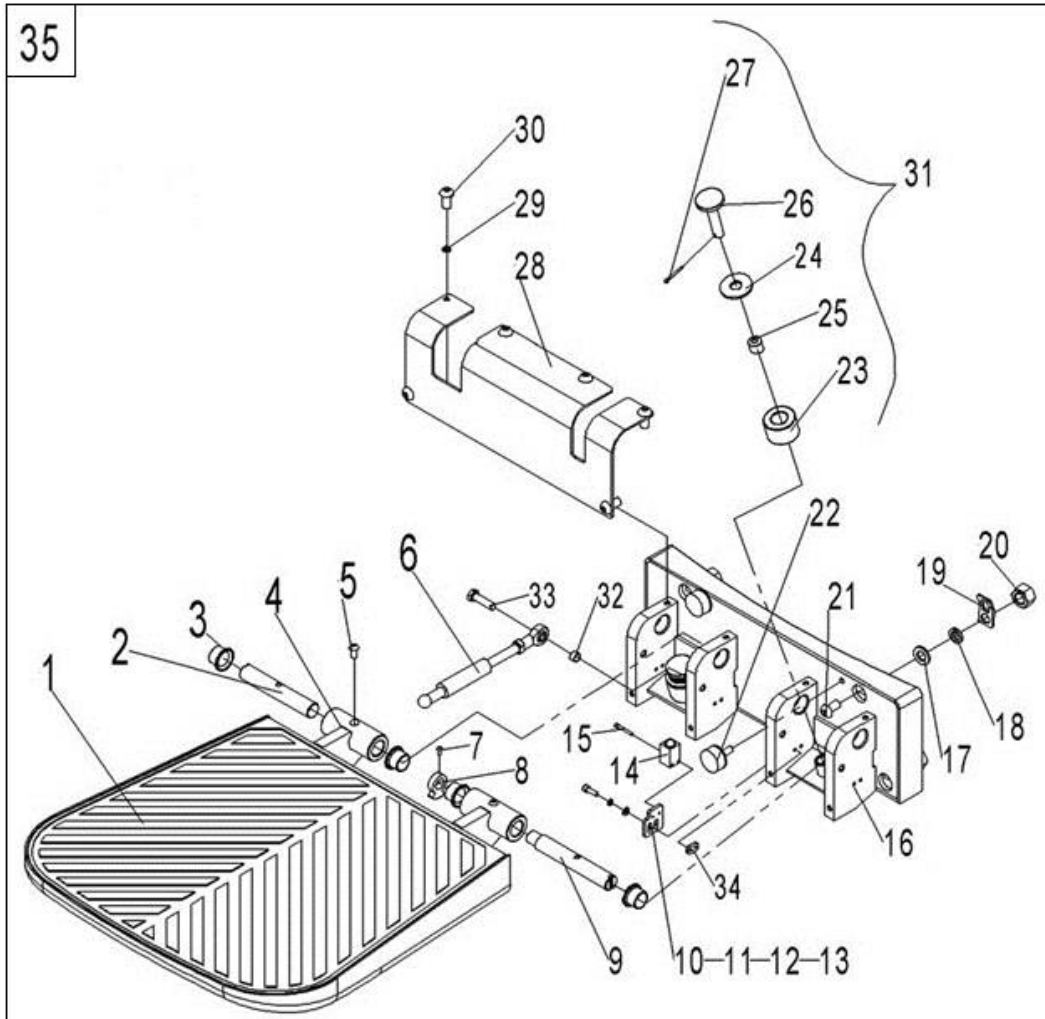


Fig. 12 Platform assembly

No.	Art No.	Description	Qty.	Note
1	505618020018	Rubber mat	1	
2	505618020020	Axle	1	
3	940500200008	Bushing (with shoulder)	4	Φ20xΦ23x16.5
4	505618010000	Platform welding	1	
5	910200300018	Screw	2	M6x16
6	940400100039	Air spring	1	700N
7	910200400005	Screw	1	M4x12
8	505618020024	Cam	1	
9	505618020017	Fixing axle	1	
10	910400500004	Spring washer	2	5
11	910400100004	Flat washer	2	5
12	910200200023	Screw	2	M5x16
13	505618020026	Mounting plate (switch)	1	
14	910200500015	Screw	2	M3x20
15	505633510002	Proximity switch	1	NBN5-F7-E2
16	505618010001	Mounting plate welding	1	
17	910400100008	Flat washer	4	12
18	910400500008	Spring washer	4	12
19	505618020025	Cable fixing board	1	
20	910300500006	Nut	4	M12
21	910200200100	Screw	4	M12x40
22	505618020016	Buffer gasket	2	
23	505618020029	Buffer gasket	2	
24	505618020022	Buffer gasket	2	
25	505618020030	Linking sleeve	2	
26	505618020021	Fixing bolt	2	
27	910600600026	Cotter	2	3.2x20
28	505618020019	Protective cover (mounting base)	1	
29	910400500005	Spring washer	6	6
30	910200300017	Screw	6	M6x12
31	505698510002	Anti-vibration kits	2	
32	505618020028	Spacer bushing	1	
33	910100300024	Bolt	1	M8x30
34	505618020027	Mounting plate	1	
35	505618001000	Platform assembly	1	

Fig. 13 Load wheel assembly

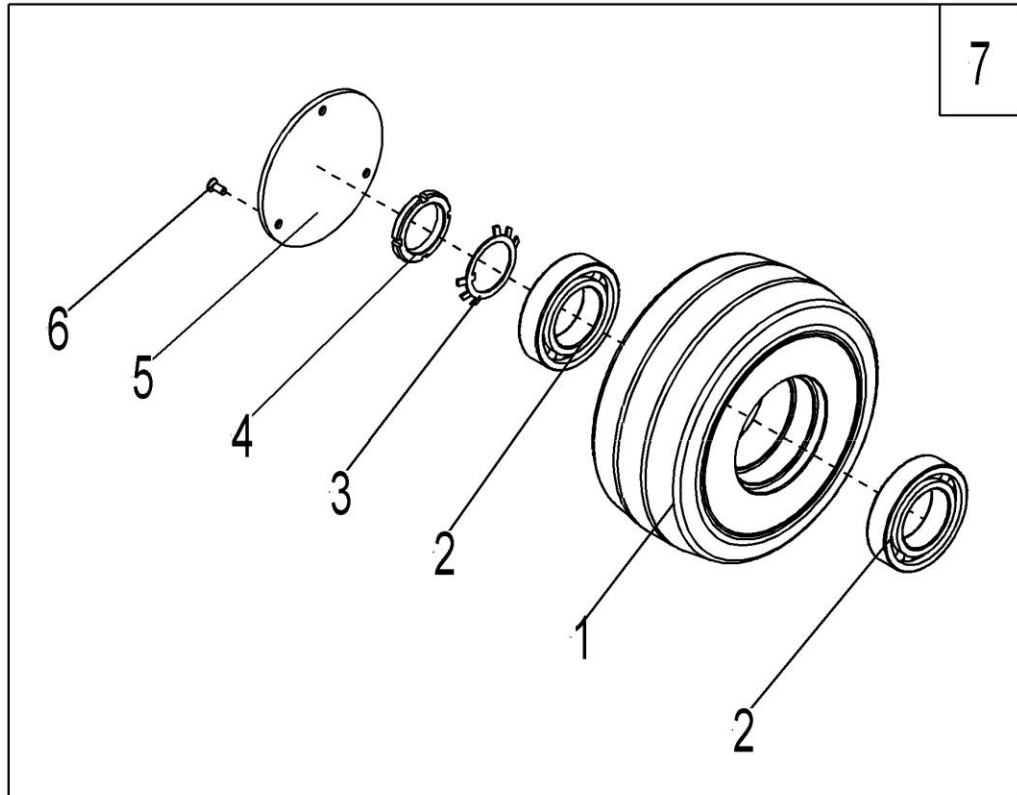


Fig. 13 Load wheel assembly

No.	Art No.	Description	Qty.	Note
1	940300300025	Wheel	2	Φ230x100
2	910700200025	Bearing	4	6210
3	910400900010	Lock washer	2	42
4	910300700003	Nut	2	M42x1.5
5	201017020000	Cap cover	2	
6	910200400016	Screw	6	M6x12
7	202017001000	Load wheel assembly	2	Φ230x100

Fig. 14 Carriage assembly

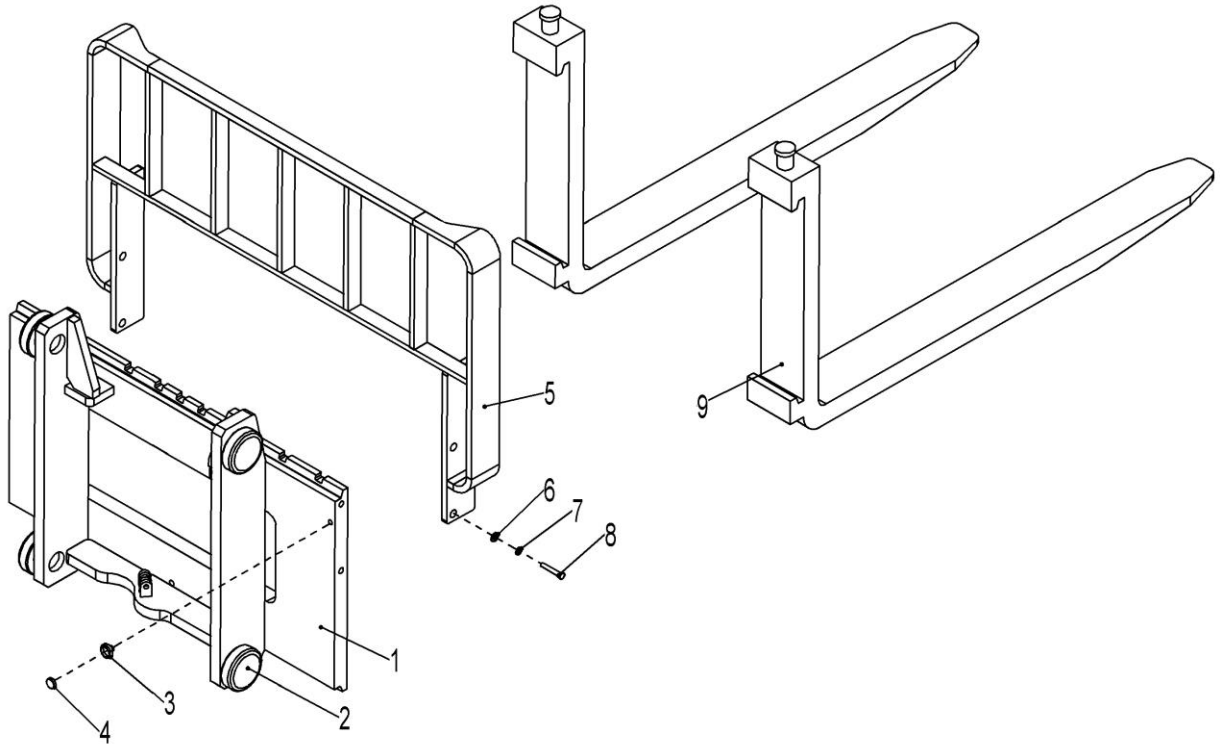


Fig. 14 Carriage assembly

No.	Art No.	Description	Qty.	Note
1	204438010000	Carriage welding	1	Three stage mast
	204438010001	Carriage welding	1	Two stage mast
	204438010002	Carriage welding	1	One stage mast
2	940200300004	Composite rollers	4	
3	940600200001	Magnetic steel holder	1	
4	940600100001	Magnetic steel	1	
5	216540510000	Load backrest welding	1	
6	910400100008	Flat washer	4	12
7	910400500008	Spring washer	4	12
8	910100300050	Bolt	4	M12x30
9	940100100002	Fork	2	

Fig. 15 Three stage mast (full free lift)

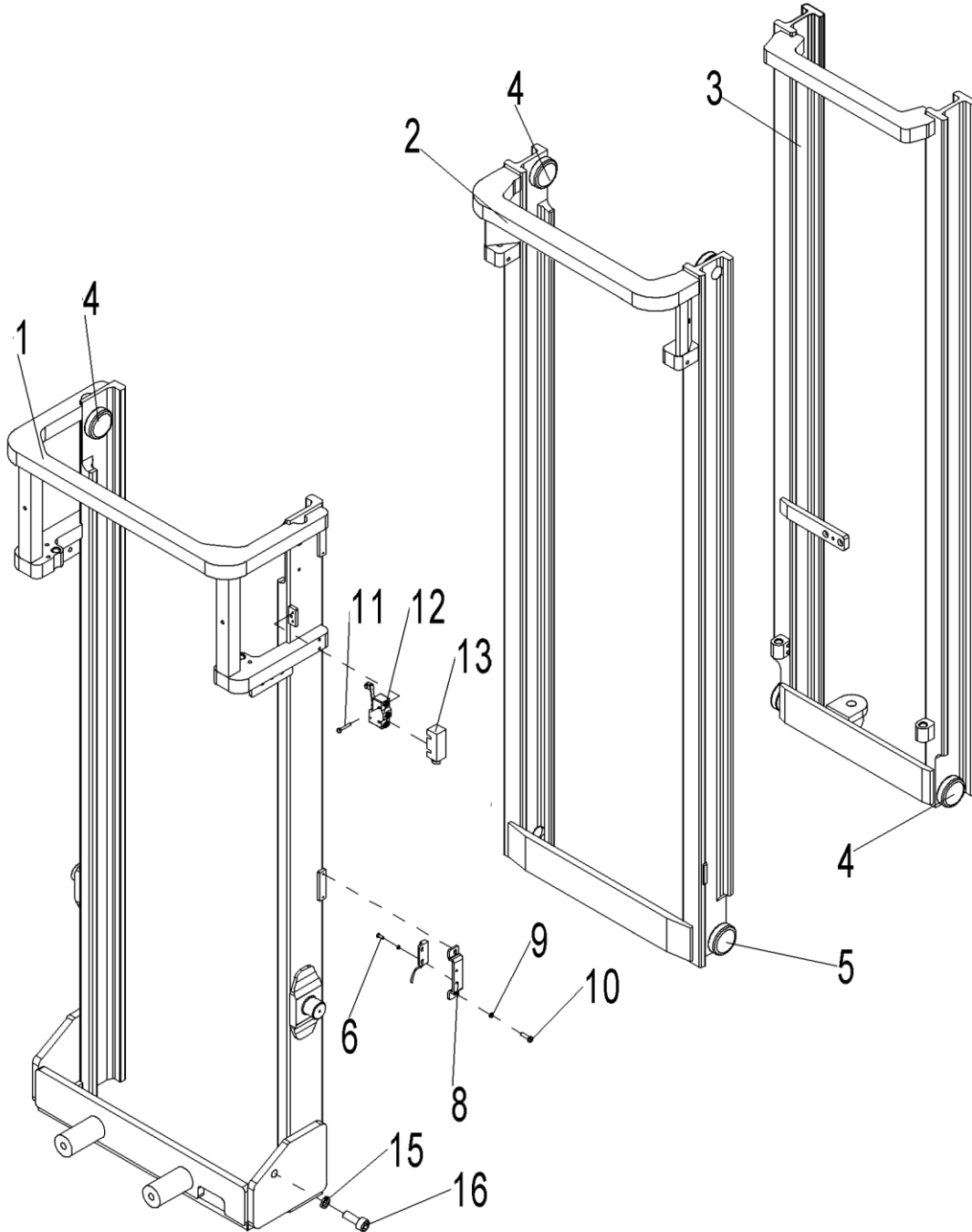


Fig. 15 Three stage mast (full free lift)

No.	Art No.	Description	Qty.	Note
1	204244510000	Outer mast welding	1	4500, without tilt
	204444510000			4500, with tilt
	204244510005			4300, without tilt
	204444510005			4300, with tilt
	204244510008			4000, without tilt
	204444510008			4000, with tilt
	204244510002			3600, without tilt
	204444510002			3600, with tilt
2	201044510004	Middle mast welding	1	4500
	204444510006	Middle mast welding	1	4300
	204444510009	Middle mast welding	1	4000
	201044510005	Middle mast welding	1	3600
3	201044510006	Inner mast welding	1	4500
	204444510007	Inner mast welding	1	4300
	204444510010	Inner mast welding	1	4000
	201044510007	Inner mast welding	1	3600
4	940200300004	Composite rollers	6	
5	940200300007	Composite rollers	2	
6	910200500010	Screw	4	M3x8
8	534744520059	Protective cover (magnetic switch)	2	
9	910400500003	Spring washer	4	4
10	910200200014	Screw	4	M4x12
11	910200500028	Screw	2	M4x30
12	920200300001	Micro switch	1	XZ-15GW22-B
13	920200300008	Micro switch cover	1	
15	910200200129	Screw	2	M20x30
16	910400500012	Spring washer	2	20

Fig. 16 Two stage mast (standard lift)

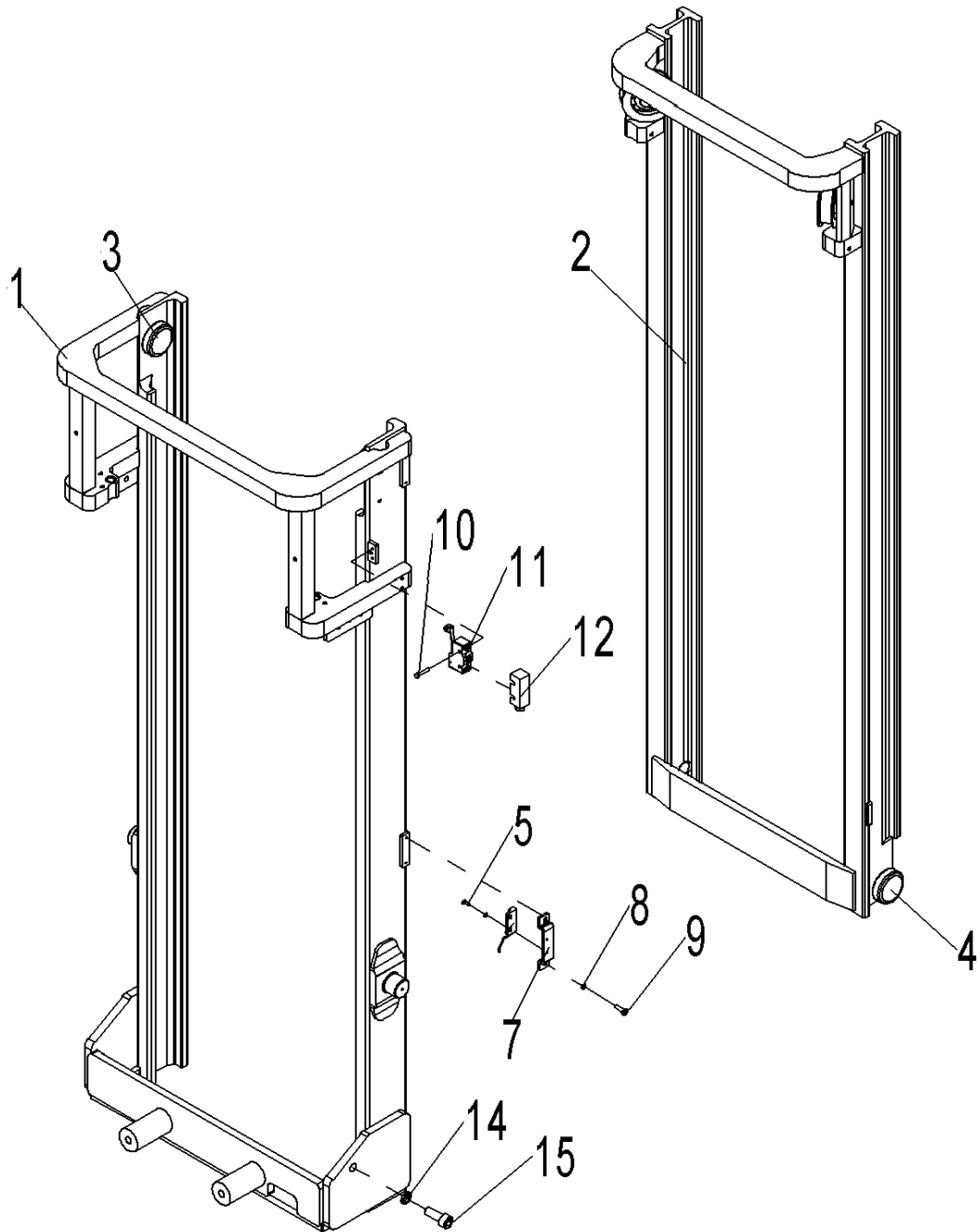


Fig. 16 Two stage mast (standard lift)

No.	Art No.	Description	Qty.	Note
1	204244010009	Outer mast welding	1	4000, without tilt
	204444010009			4000, with tilt
	204244010006			3600, without tilt
	204444010006			3600, with tilt
	204244010003			3200, without tilt
	204444010003			3200, with tilt
	204244510000			3000, without tilt
	204444510000			3000,with tilt
	204244010000			2500, without tilt
	204444010000			2500, with tilt
2	204444010010	Inner mast welding	1	4000
	204444010007	Inner mast welding	1	3600
	204444010004	Inner mast welding	1	3200
	201044010000	Inner mast welding	1	3000
	204444010001	Inner mast welding	1	2500
3	940200300004	Composite rollers	2	
4	940200300007	Composite rollers	2	
5	910200500010	Screw	4	M3x8
7	534744520059	Protective cover (magnetic switch)	2	
8	910400500003	Spring washer	4	4
9	910200200014	Screw	4	M4x12
10	910200500028	Screw	2	M4x30
11	920200300001	Micro switch	1	XZ-15GW22-B
12	920200300008	Micro switch cover	1	
14	910200200129	Screw	2	M20x30
15	910400500012	Spring washer	2	20

Fig. 17 One stage mast

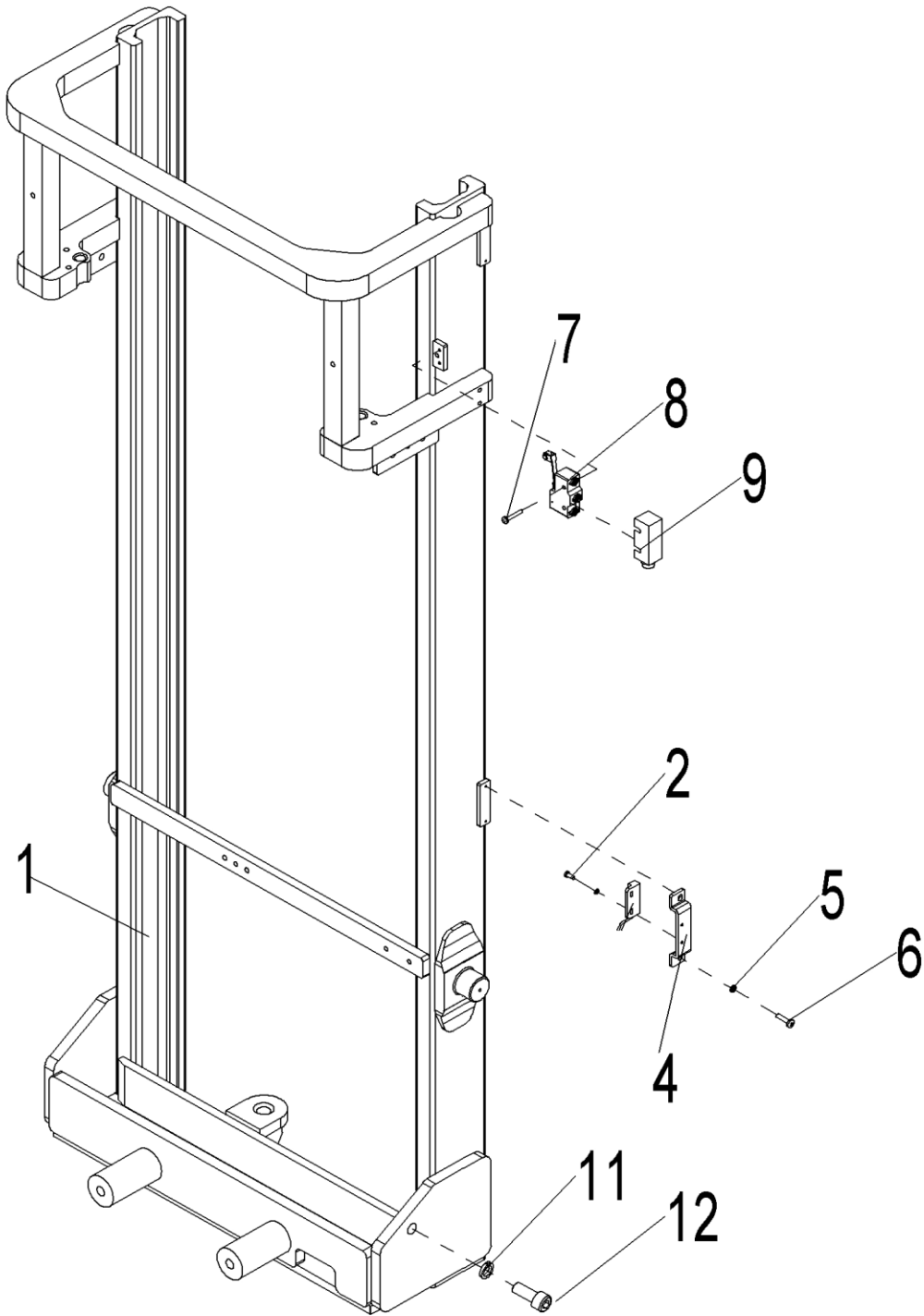


Fig. 17 One stage mast

No.	Art No.	Description	Qty.	Note
1	204243010000	Outer mast welding	1	1600, without tilt
	204443010000			1600, with tilt
2	910200500010	Screw	4	M3x8
4	534744520059	Protective cover (magnetic switch)	2	
5	910400500003	Spring washer	4	4
6	910200200014	Screw	4	M4x12
7	910200500028	Screw	2	M4x30
8	920200300001	Micro switch	1	XZ-15GW22-B
9	920200300008	Micro switch cover	1	
11	910200200129	Screw	2	M20x30
12	910400500012	Spring washer	2	20

Fig. 18 Three stage mast (full free lift) assembly

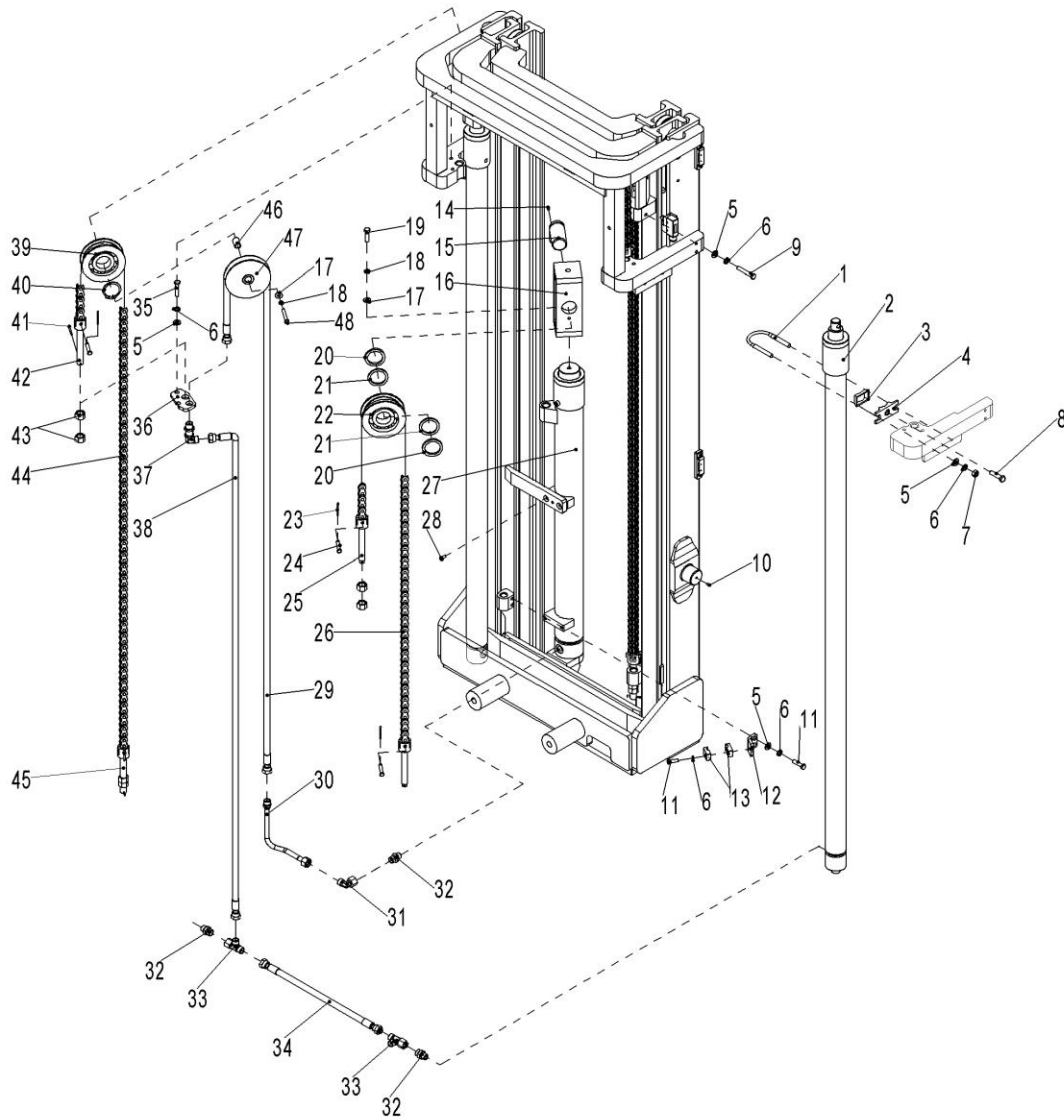


Fig. 18 Three stage mast (full free lift) assembly

No.	Art No.	Description	Qty.	Note
1	201044520017	U-bolt	2	
2	201044510008	Cylinder	2	4500
	204444510011	Cylinder	2	4300
	204444510013	Cylinder	2	4000
	201044510009	Cylinder	2	3600
3	255044020129	Protective cover	1	
4	255044020130	Fixing plate (cylinder)	2	
5	910400100007	Flat washer	11	10
6	910400500007	Spring washer	12	10
7	910300100007	Nut	6	M10
8	910100300039	Bolt	2	M10x40
9	910100100036	Bolt	2	M10x65
10	911200100001	Grease cup	2	6
11	910200200058	Screw	1	M8x25
12	201044520060	Mounting plate 3 (pipe clamp)	1	
13	201044520023	Pipe clamp	2	12
14	910200400016	Screw	1	M6x12
15	535045010008	Axle	1	
16	204444510003	Roller frame welding	1	
17	910400100008	Flat washer	2	12
18	910400500008	Spring washer	2	12
19	910100300050	Bolt	1	M12x30
20	201044502004	Washer	2	Thickness 2
21	940600500009	Washer	2	Thickness 4
22	940200500011	Chain roller bearing	1	
23	910600600015	Cotter		2x20
24	941100800009	Pin	2	8x50
25	535045020024	Chain bolt	2	
26	204444510004	Leaf chain LH1266	1	4500
	204444510021	Leaf chain LH1266	1	4300
	535044510017	Leaf chain LH1266	1	4000
	204444510024	Leaf chain LH1266	1	3600

27	201044510010	Cylinder (M)	1	4500
	204444510012	Cylinder (M)	1	4300
	204444510014	Cylinder (M)	1	4000
	201044510011	Cylinder (M)	1	3600
28	910200400025	Screw	2	M8x20
29	201044520082	Hydraulic pipe assembly (straight)	1	4500
	204444510016	Hydraulic pipe assembly (straight)	1	4300
	204444510018	Hydraulic pipe assembly (straight)	1	4000
	201044520083	Hydraulic pipe assembly (straight)	1	3600
30	201044520077	Hydraulic tube welding 13	1	
31	950400200004	Joint (bent)	1	
32	950400400004	Joint (straight)	3	
33	950401000001	Joint (L)	2	
34	201044520086	Hydraulic pipe assembly (straight)	1	
35	910200200075	Screw	2	M10x20
36	201044520029	Mounting plate (joint)	1	
37	950400500002	Joint (straight)	1	
38	204444520026	Hydraulic tube welding	1	4500
	204444520027		1	4300
	204444520028		1	4000
	204444520029		1	3600
39	940200500001	Chain roller bearing	2	
40	910401300020	Circlip for axle	2	40
41	910600600030	Cotter	6	3.2x30
42	252044020121	Chain bolt	2	
43	910300200008	Nut	12	M16x1.5
44	201044510017	Leaf chain LH1234	2	4500
	204444510019	Leaf chain LH1234	2	4300
	204444510025	Leaf chain LH1234	2	4000
	201044510019	Leaf chain LH1234	2	3600
45	535045020024	Chain bolt	2	4500/4000/3600
	252044020121	Chain bolt	2	4300

46	201044520041	Bushing	1	
47	201044520040	Pulley	1	
48	910100300052	Bolt	1	M12x40

Fig. 19 Two stage mast (standard lift) assembly

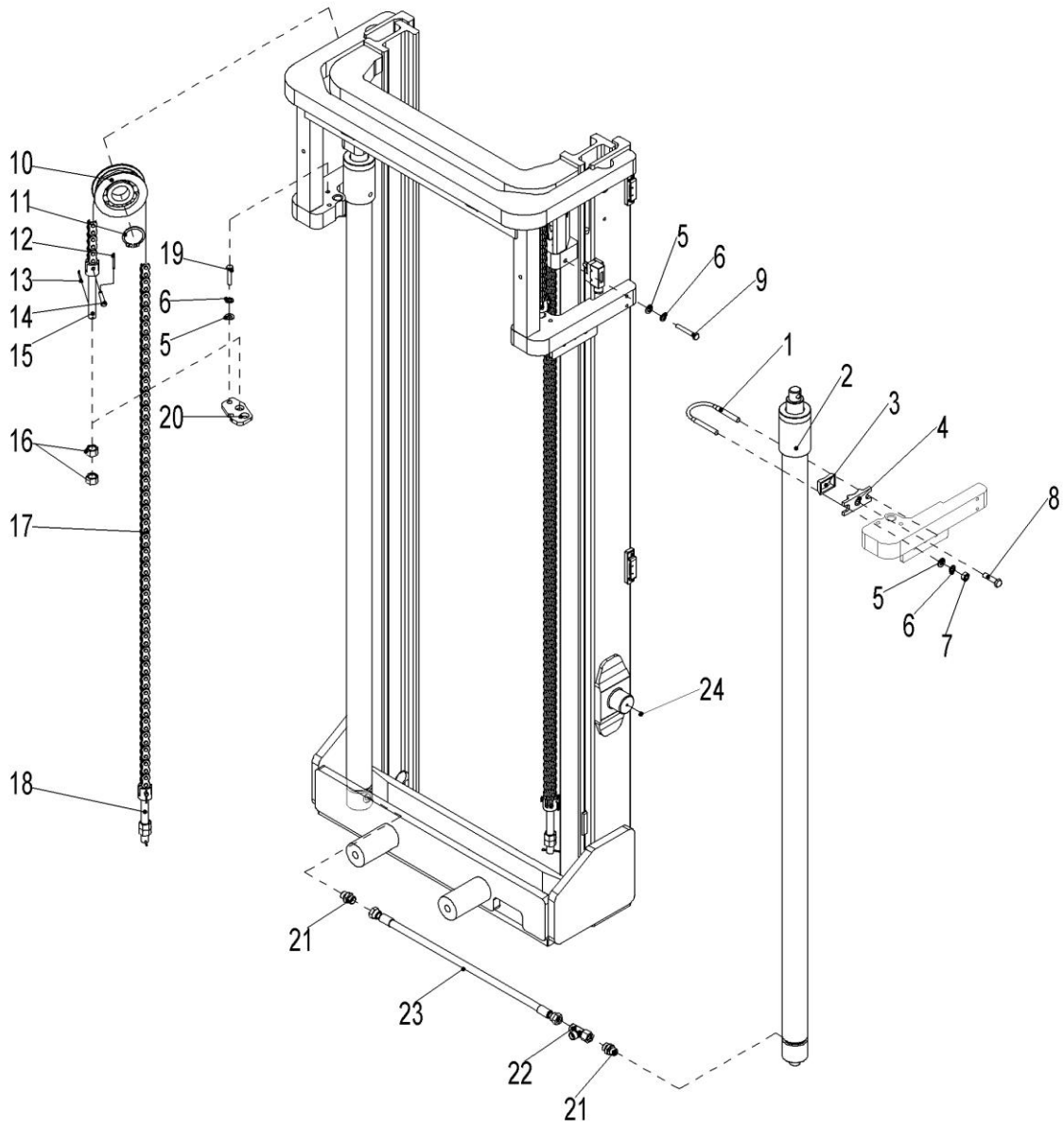


Fig. 19 Two stage mast (standard lift) assembly

No.	Art No.	Description	Qty.	Note
1	201044520017	U-bolt	2	
2	204444010011	Cylinder	2	4000
	204444010008	Cylinder	2	3600
	204444010005	Cylinder	2	3200
	201044510008	Cylinder	2	3000
	204444010002	Cylinder	2	2500
3	255044020129	Protective cover	1	
4	255044020130	Fixing plate (cylinder)	2	
5	910400100007	Flat washer	11	10
6	910400500007	Spring washer	12	10
7	910300100007	Nut	6	M10
8	910100300039	Bolt	2	M10x40
9	910100100036	Bolt	2	M10x65
10	940200500007	Chain roller bearing	2	
11	910401300020	Circlip for axle	2	40
12	910600600015	Cotter	4	2x20
13	910600600030	Cotter	4	3.2x30
14	941100800008	Pin	2	8x40
15	252044020121	Chain bolt	2	
16	910300200008	Nut	4	M16x1.5
17	212044510111	Leaf chain LH1234	2	4000
	204444010012	Leaf chain LH1234	2	3600
	204444010013	Leaf chain LH1234	2	3200
	201044510017	Leaf chain LH1234	2	3000
	204444510019	Leaf chain LH1234	2	2500
18	533243520008	Chain bolt	2	
19	910200200075	Screw	2	M10x20
20	201044520029	Mounting plate (joint)	1	
21	950400400004	Joint (straight)	2	
22	950401000001	Joint (L)	1	

23	201044020002	Hydraulic pipe assembly (straight)	1	
24	911200100001	Grease cup	2	6

Fig. 20 One stage mast assembly

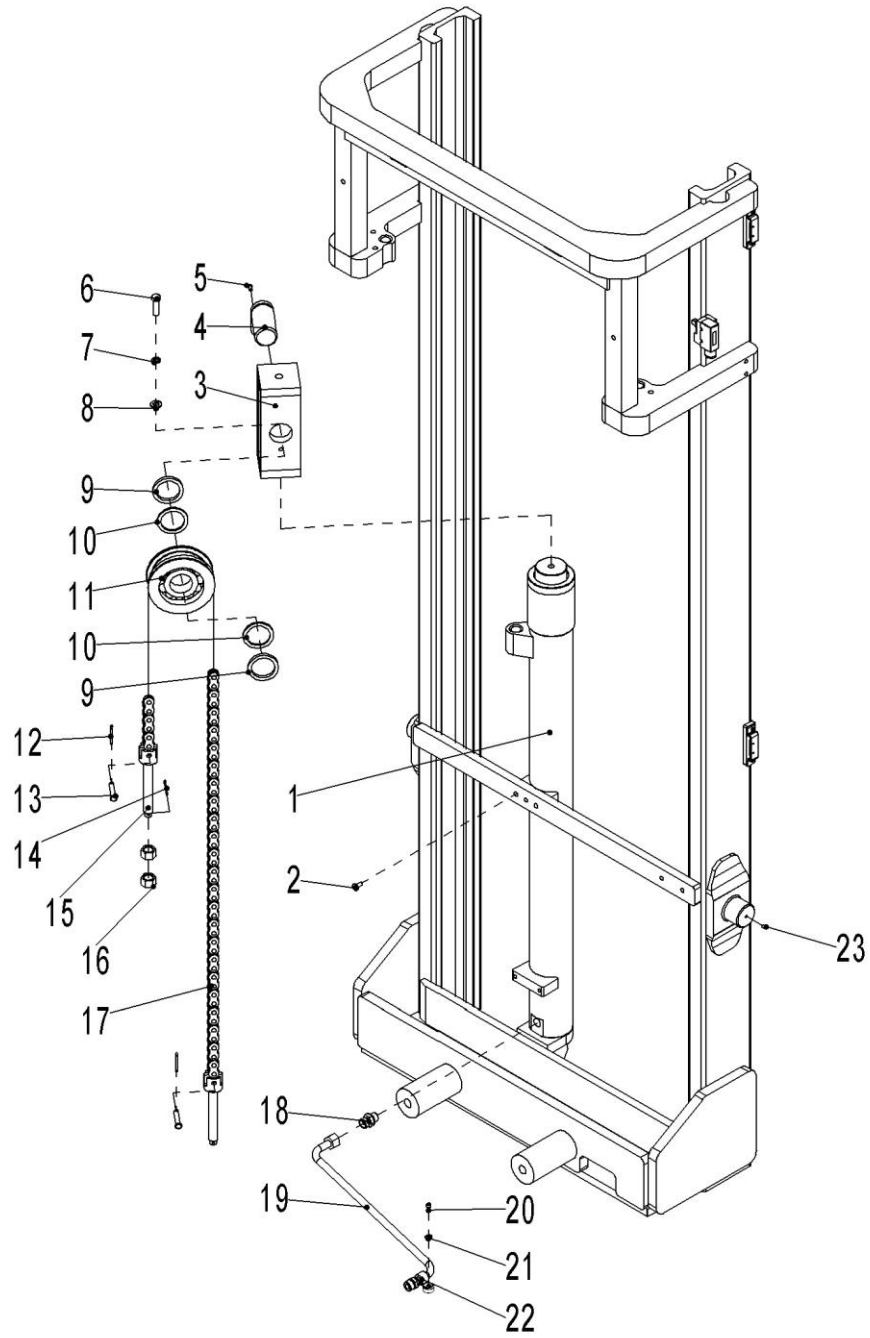


Fig. 20 One stage mast assembly

No.	Art No.	Description	Qty.	Note
1	201043010002	Cylinder (M)	1	
2	910200400026	Screw	2	M8x25
3	204444510003	Roller frame welding	1	
4	535045010008	Axle	1	
5	910200400016	Screw	1	M6x12
6	910100300050	Bolt	1	M12x30
7	910400500008	Spring washer	1	12
8	910400100008	Flat washer	1	12
9	940600500008	Washer	2	Thickness 2
10	940600500009	Washer	2	Thickness 4
11	940200500011	Chain roller bearing	1	
12	910600600015	Cotter	2	2x20
13	941100800009	Pin	2	8x50
14	910600600030	Cotter	2	3.2x30
15	535045020024	Chain bolt	2	
16	910300200008	Nut	2	M16x1.5
17	204444510026	Leaf chainLH1266	1	
18	950400400004	Joint (straight)	1	
19	204443010001	Hydraulic tube welding	1	
20	910200200032	Screw	1	M6x10
21	910400100005	Flat washer	1	6
22	951000100001	Pipe clamp	1	12
23	911200100001	Grease cup	2	6

Fig. 21 Outer cylinder of three stage mast (full free lift)

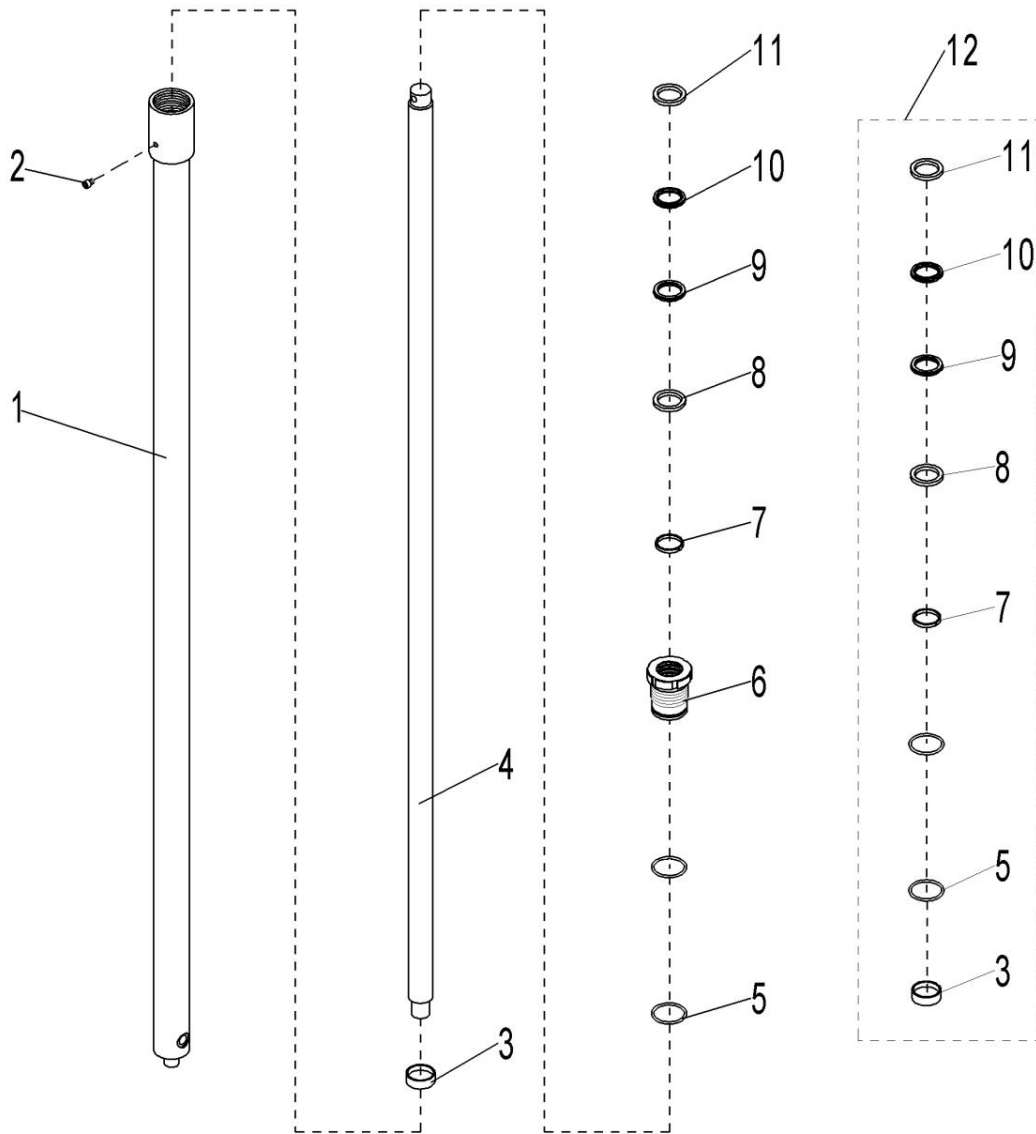


Fig. 21 Outer cylinder of three stage mast (full free lift)

No.	Art No.	Description	Qty.	Note
1	201098520030	Cylinder welding	1	4500
	204498520000	Cylinder welding	1	4300
	204498520001	Cylinder welding	1	4000
	201098520031	Cylinder welding	1	3600
2	201098520032	Screw	1	M8x1
3	201098520033	Support ring for hole	1	
4	201098520034	Piston	1	4500
	204498520002	Piston	1	4300
	204498520003	Piston	1	4000
	201098520035	Piston	1	3600
5	910800100082	O ring	2	
6	201098520037	Cylinder cap	1	
7	910800500007	Support ring for axle	1	
8	910801000001	Step seal	1	
9	910800300025	Seal for axle	1	
10	910800200001	Circlip	1	
11	910800400022	Dust proof ring	1	
12	201098510005	Cylinder seals	1	

Fig. 22 Middle cylinder of three stage mast (full free lift)

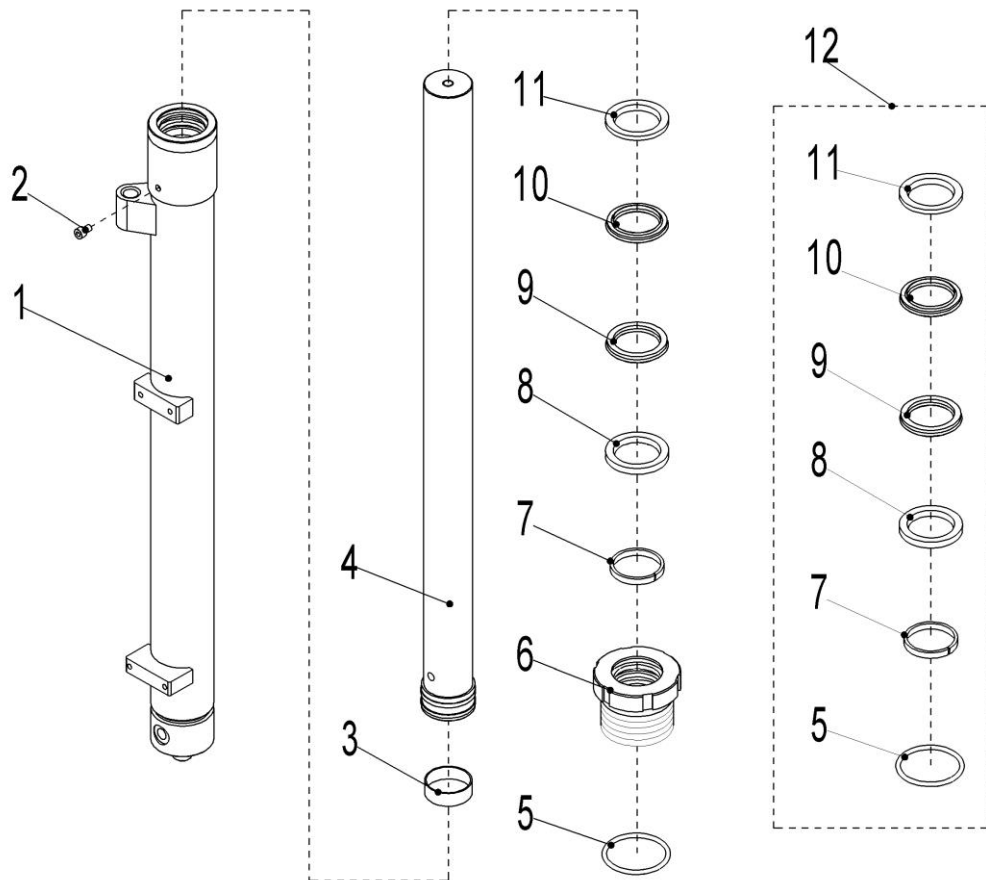


Fig. 22 Middle cylinder of three stage mast (full free lift)

No.	Art No.	Description	Qty.	Note
1	201098520043	Cylinder welding	1	4500
	204498520004	Cylinder welding	1	4300
	204498520005	Cylinder welding	1	4000
	201044510011	Cylinder welding	1	3600
2	201098520032	Screw	1	M8x1
3	201098520047	Support ring for hole	1	
4	201098520048	Piston	1	4500
	204498520006	Piston	1	4300
	204498520007	Piston	1	4000
	201098520049	Piston	1	3600
5	910800100032	O ring	1	
6	201098520053	Cylinder cap	1	
7	201098520054	Support ring for axle	1	
8	201098520055	Step seal	1	
9	201098520056	Seal for axle	1	
10	201098520057	Circlip	1	
11	201098520058	Dust proof ring	1	
12	201098510006	Cylinder seals	1	

Fig. 23 Outer cylinder of two stage mast (standard lift)

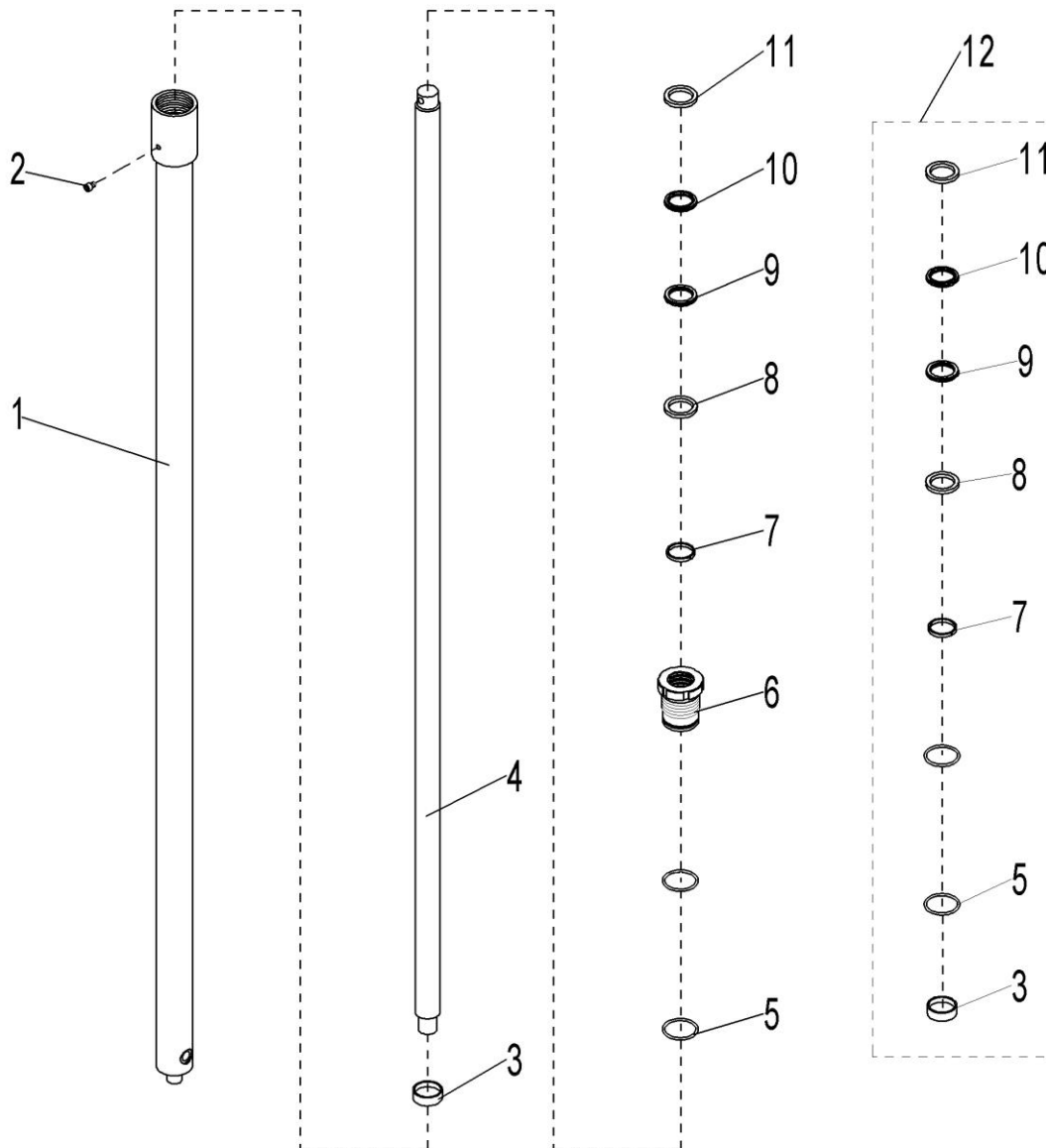


Fig. 23 Outer cylinder of two stage mast (standard lift)

No.	Art No.	Description	Qty.	Note
1	204498520008	Cylinder welding	1	4000
	204498520009	Cylinder welding	1	3600
	204498520010	Cylinder welding	1	3200
	201098520030	Cylinder welding	1	3000
	204498520011	Cylinder welding	1	2500
2	201098520032	Screw	1	M8x1
3	201098520033	Support ring for hole	1	
4	204498520012	Piston	1	4000
	204498520013	Piston	1	3600
	204498520014	Piston	1	3200
	201098520034	Piston	1	3000
	204498520015	Piston	1	2500
5	910800100082	O ring	2	
6	201098520053	Cylinder cap	1	
7	910800500007	Support ring for axle	1	
8	910801000001	Step seal	1	
9	910800300025	Seal for axle	1	
10	910800200001	Circlip	1	
11	910800400022	Dust proof ring	1	
12	201098510005	Cylinder seals	1	

Fig. 24 Middle cylinder of one stage mast

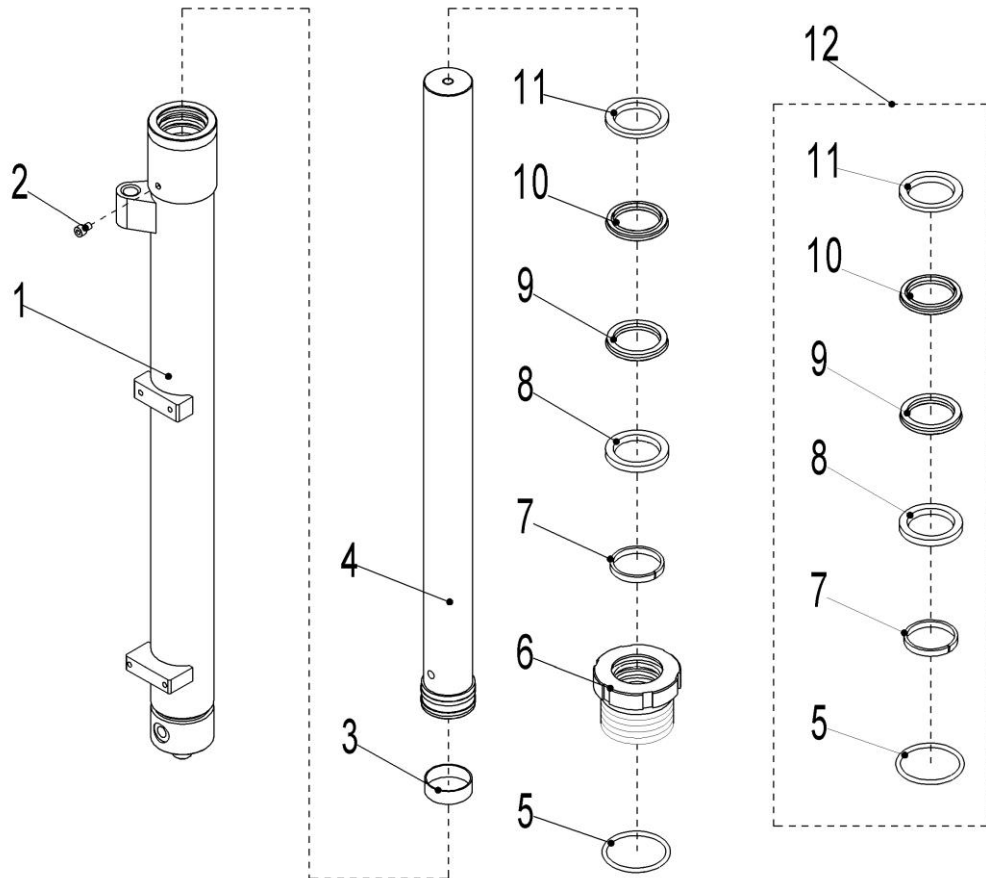


Fig. 24 Middle cylinder of one stage mast

No.	Art No.	Description	Qty.	Note
1	201098520043	Cylinder welding	1	1600
2	201098520032	Screw	1	M8x1
3	201098520047	Support ring for hole	1	
4	201098520043	Piston	1	1600
5	910800100032	O ring	1	
6	201098520053	Cylinder cap	1	
7	201098520054	Support ring for axle	1	
8	201098520055	Step seal	1	
9	201098520056	Seal for axle	1	
10	201098520057	Circlip	1	
11	201098520058	Dust proof ring	1	
12	201098510006	Cylinder seals	1	

Fig. 25 Electronic power steering unit

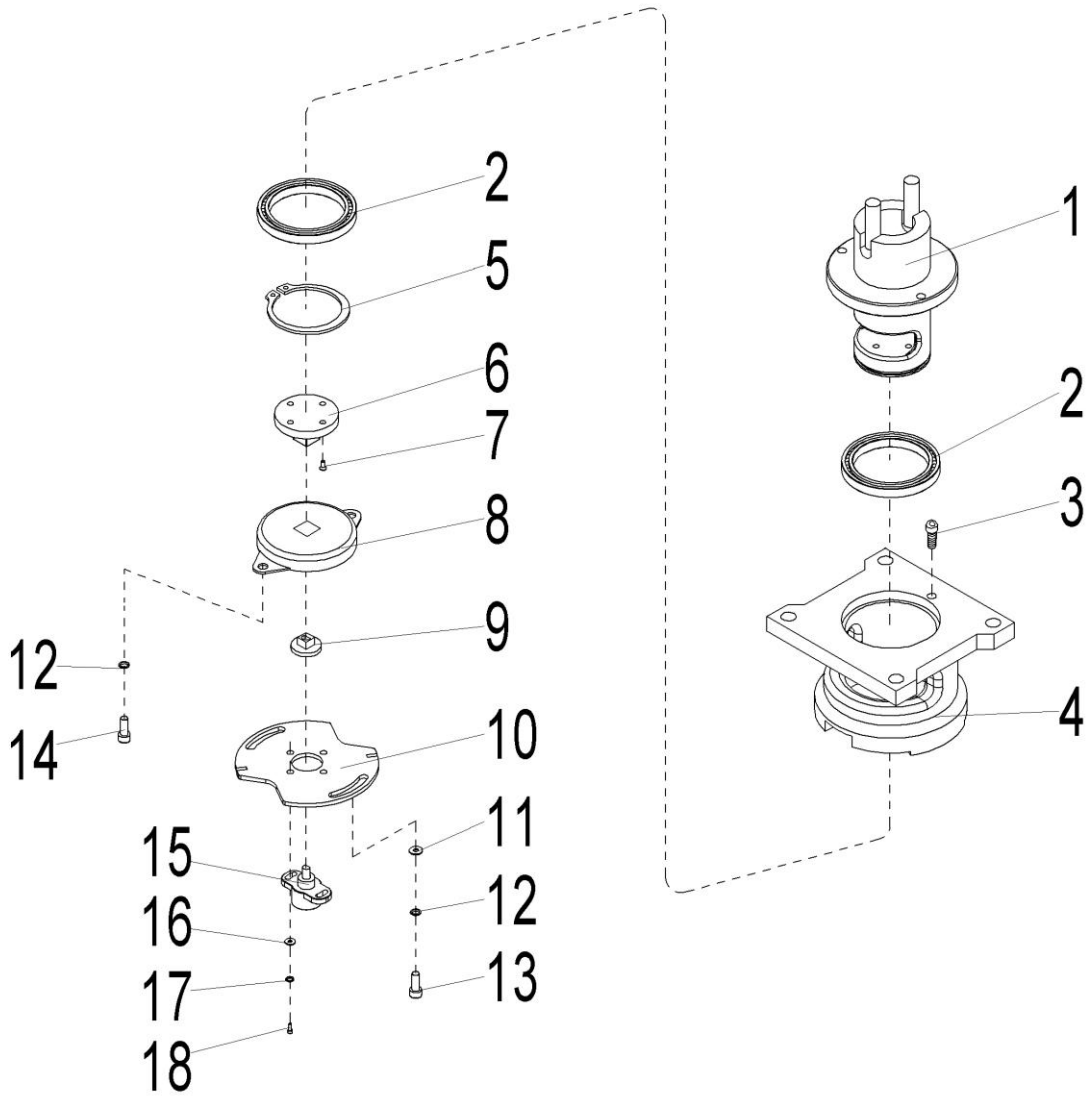


Fig. 25 Electronic power steering unit

No.	Art No.	Description	Qty.	Note
1	505631510001	Axle seat welding	1	
2	910700200041	Bearing	2	61810
3	910200200032	Screw	3	M6x10
4	505631520002	Fixing plate	1	
5	910401300024	Circlip for axle	1	50
6	505631520005	Connector	1	
7	910200500022	Screw	4	M4x12
8	940801200001	Rotary damper	1	
9	505631520003	Connector	1	
10	505731520001	Potentiometer holder	1	
11	910400100004	Flat washer	2	5
12	910400500004	Spring washer	4	5
13	910200200023	Screw	2	M5x16
14	910200200022	Screw	2	M5x12
15	505633010028	Potentiometer	1	RPAZ052
16	910400100003	Flat washer	2	4
17	910400500003	Spring washer	2	4
18	910200200014	Screw	2	M4x12

Fig. 26 Drive unit

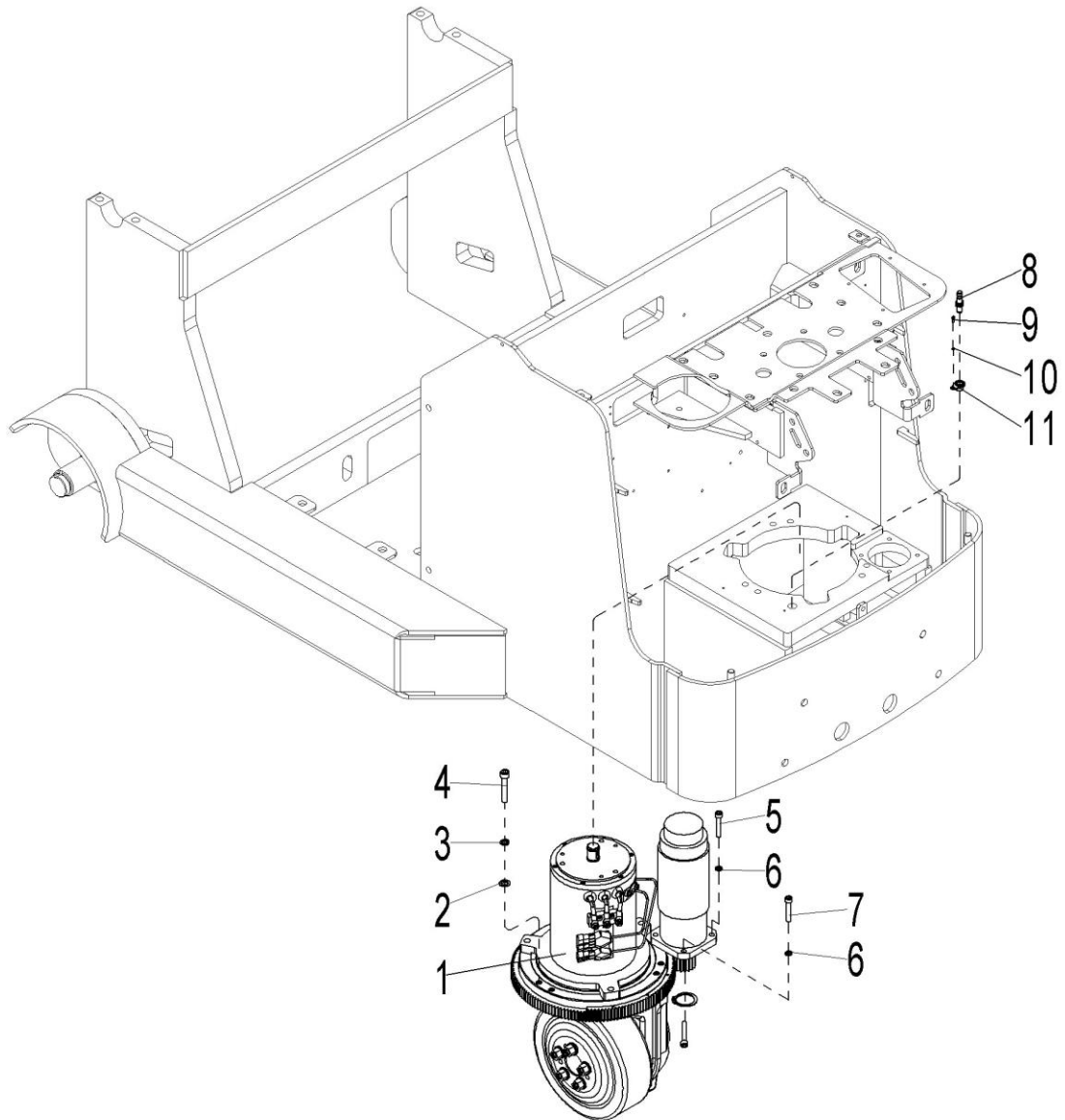


Fig. 26 Drive unit

No.	Art No.	Description	Qty.	Note
1	961000500000	Drive assembly	1	AC-1.6Kw
2	910400100007	Flat washer	6	10
3	910400500007	Spring washer	6	10
4	910200200081	Screw	6	M10x50
5	910200200038	Screw	1	M6x25
6	910400500005	Spring washer	4	6
7	910200200039	Screw	3	M6x30
8	204333010019	Proximity switch	1	Fi4-G12-OP6L
9	910200200013	Screw	1	M4x10
10	910400500003	Spring washer	1	4
11	533213510005	Axle sleeve	1	

Fig. 27 Drive assembly

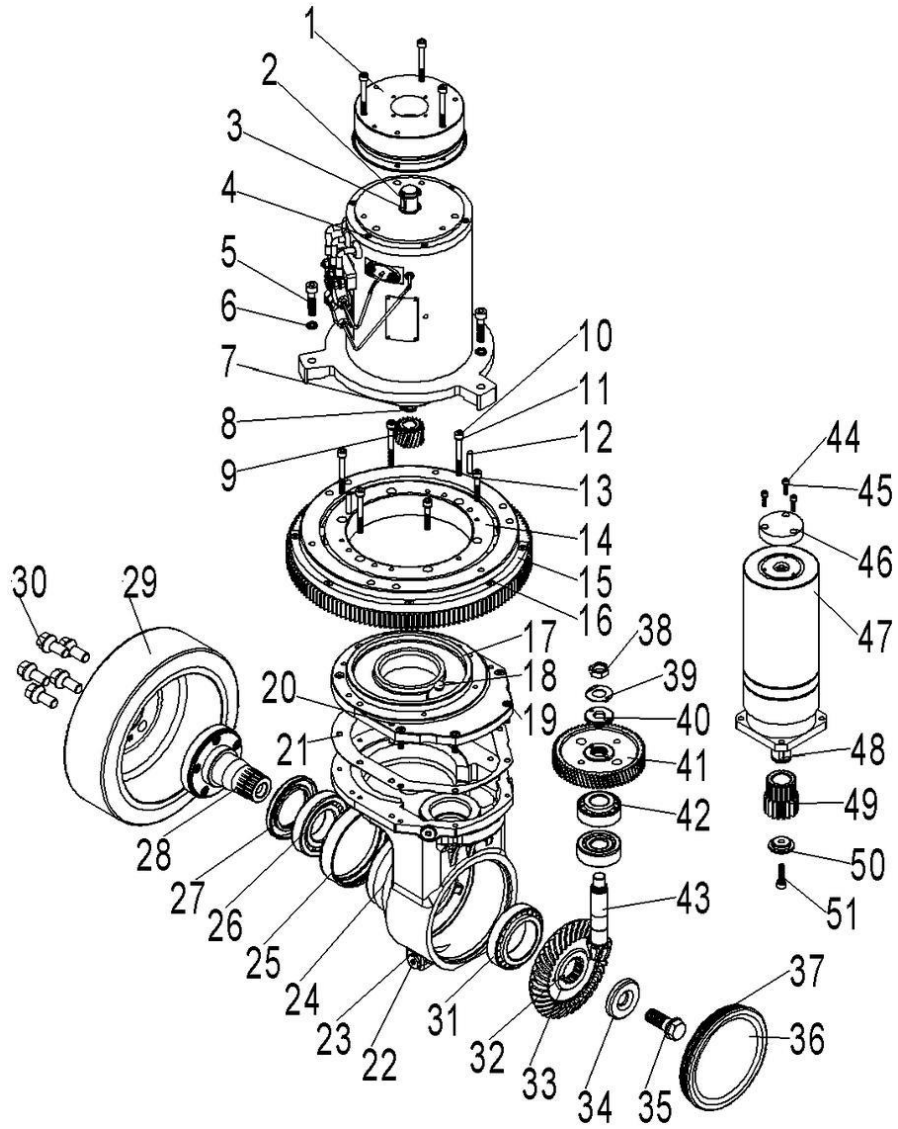


Fig. 27 Drive assembly

No.	Art No.	Fig No.	Description	Qty.	Note
1	961000400001	RXD-10C-24-16-20-PFR-R153	Electromagnetic brake	1	
2	910600800012		Flat key GB1096-6x18-A	1	
3	910401300011		Circlip for axle GB894.1-20	2	
4	961000500001	AC1.6KW	AC motor	1	
5	910200200144		Screw GB70.1-M8x35-12.9	3	
6	910400500019		Spring washer GB93-8	3	
7	910600800007		Flat key GB1096-5x20-A	1	
8	910401300007		Circlip for axle GB894.1-16	1	
9	961000400005	JSL010001B	Gear	1	
10	910200200049		Screw GB70.1-M6x55-12.9	4	
11	910400500018		Spring washer GB93-6	14	
12	910600100016		Cylindrical pin GB119.2-6x30	2	
13	910200200141		Screw GB70.1-M6x35-12.9	2	
14	961000500002	JSL010027B	Gear	1	
15	961000500004	JSL010029	Sensor bar	1	
16	910200400041		Screw GB70.3-M4x16-8.8	5	
17	961000400007	JSL010002A	Upper cap	1	
18	940998510011	6ELT00010	Air plug Φ 8x12	1	
19	910200200139		Screw GB70.1-M6x20-12.9	7	
20	910600100039		Cylindrical pin GB119.2-6x26	2	
21	940998520025	26EL100005	Paper gasket	1	
22	940998520042		Screw M12x1.25	3	
23	910800900007		Washer JB982-12	3	
24	961000400008	JSL010003A	Gearbox	1	
25	940998520030	1EL100009A	Dust proof cover	1	
26	910700600040		Bearing GB297-30208	1	
27	940998520040		Oil seal 50x80x8	1	
28	940998520026	6ELA000014	Drive axle	1	
29	961000300001	JSL010020	Drive wheel Φ 230x75	1	

30	940998520029	1EL100008	Rim screw	5	
31	910700600041		Bearing GB297-32010	1	
32	910600100038		Cylindrical pin GB119.2-4x12	2	
33	940998520017	6ELA000004	Gear	1	
34	940998520027	6ELA000015	Circlip for axle	1	
35	940998520028	6ELA000016	Lock bolt	1	
36	940998520018	6ELA000005	Side cover	1	
37	910800100095		O ring-inner 118x2.65	2	
38	910300400014		Nut GB6173-M14x1.5-05	1	
39	910401000005		Lock washer GB856-14	1	
40	940998520036	2EL100013	Washer	1	
41	961000400006	JSL010012B	Gear	1	
42	910700600042		Bearing GB297-32304	2	
43	940998520019	6ELA000006	Gear	1	
44	910200200011		Screw GB70.1-M4x16-12.9	3	
45	910400500016		Spring washer GB93-4	3	
46	961000500007	JS-E01	Sensor	1	
47	961000500006	LC026	Steering assembly	1	
48	910600800015		Flat key GB1096-6x28-A	1	
49	961000500003	JSL010025A	Steering gear	1	
50	961000500005	JSL010030	Circlip for axle	1	
51	910200200140		Screw GB70.1-M6x25-12.9	1	

Fig. 28 Hydraulic system (without tilt)

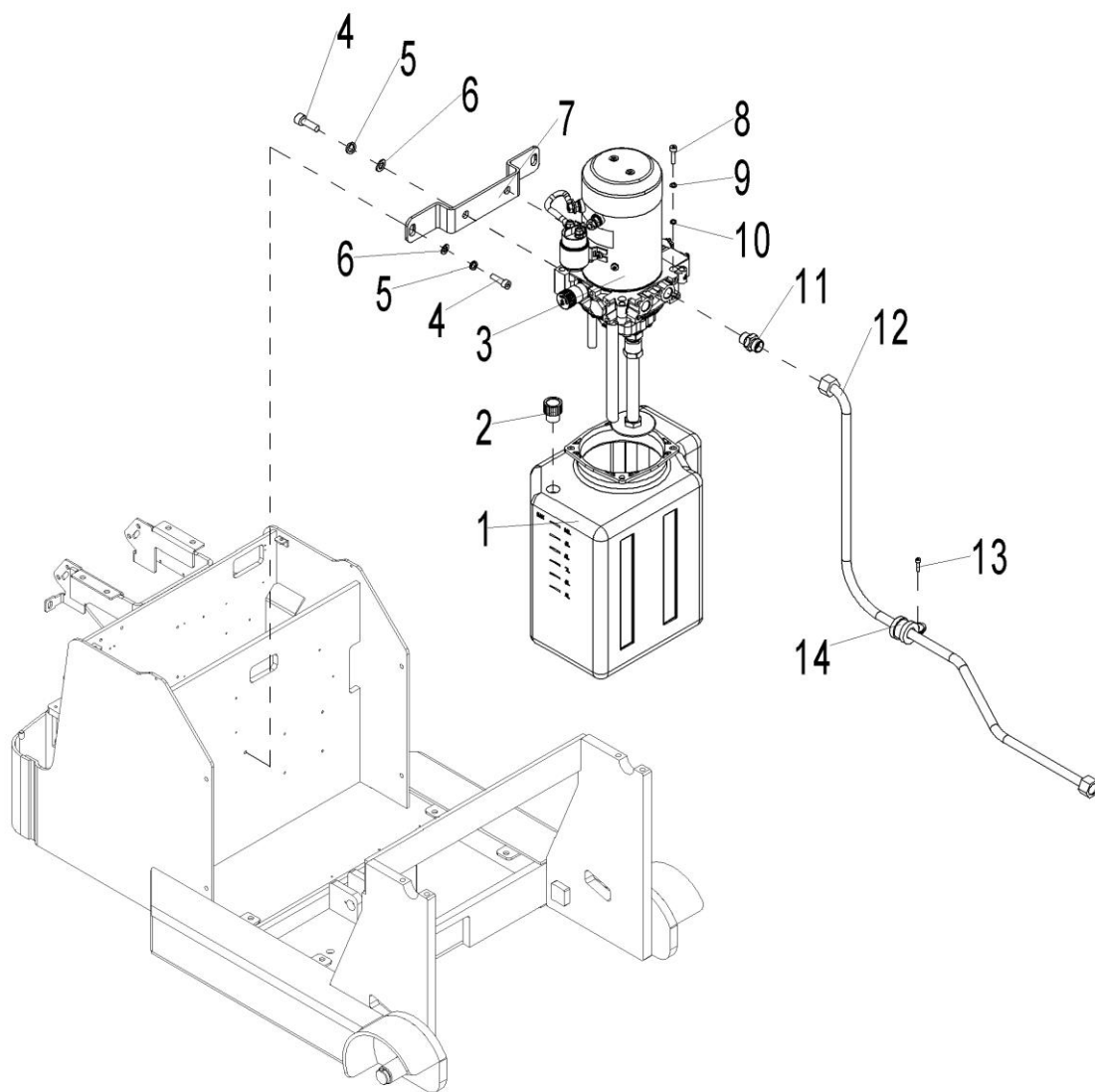


Fig. 28 Hydraulic system (without tilt)

No.	Art No.	Description	Qty.	Note
1	532619020006	Plastic oil tank (10L)	1	
2	951100200004	Air plug G1/2	1	
3	950900100070	Hydraulic power unit 24V2.2KW2.0cc	1	PS12CB-C
	950900100064	Hydraulic power unit 24V3.0KW3.3cc	1	PS15CB-C
4	910200200075	Screw	4	M10x20
5	910400500007	Spring washer	4	10
6	910400100007	Flat washer	4	10
7	204224020000	Mounting plate (pump)	1	
8	910200200057	Screw	8	M8x20
9	910400500006	Spring washer	8	8
10	910400100006	Flat washer	8	8
11	950400300009	Joint (straight)	1	
12	204224020001	Hydraulic pipe assembly (90°)	1	
13	910200200032	Screw	1	M6x10
14	951000100001	Pipe clamp	1	12

Fig. 29 Hydraulic system (with tilt)

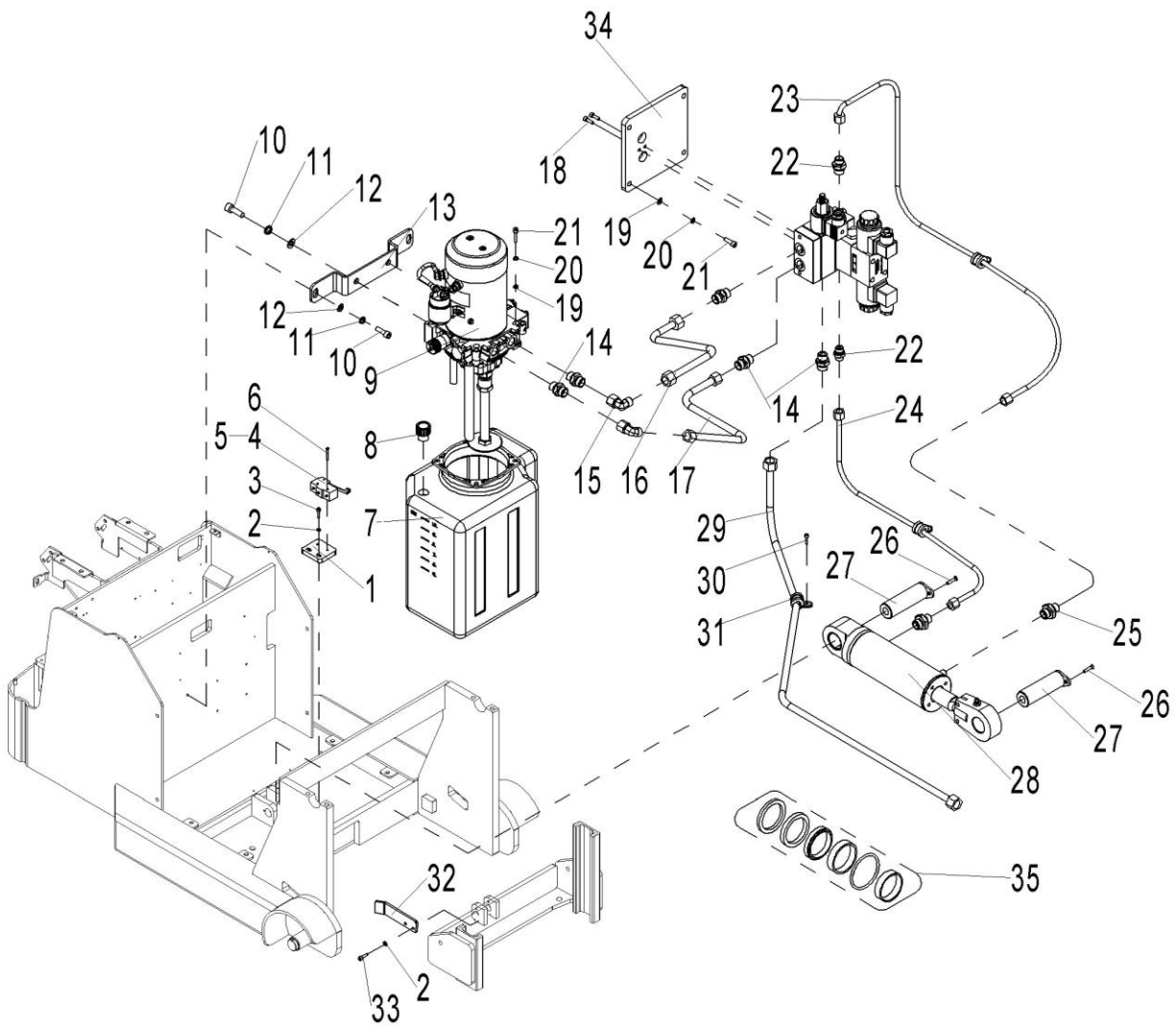


Fig. 29 Hydraulic system (with tilt)

No.	Art No.	Description	Qty.	Note
1	204424020002	Mounting plate (sensor)	1	
2	910400100003	Flat washer	4	4
3	910200200016	Screw	2	M4x20
4	920200300003	Micro switch	1	
5	920200300008	Micro switch cover	1	
6	910200400006	Screw	2	M4x25
7	532619020006	Plastic oil tank (10L)	1	
8	951100200004	Air plug G1/2	1	
9	950900100070	Hydraulic power unit 24V2.2KW2.0cc	1	PS12CB-C
	950900100064	Hydraulic power unit 24V3.0KW3.3cc	1	PS15CB-C
10	910200200075	Screw	4	M10x20
11	910400500007	Spring washer	4	10
12	910400100007	Flat washer	4	10
13	204224020000	Mounting plate (pump)	1	
14	950400300009	Joint (straight)	5	
15	950400200004	Joint (bent)	3	
16	204324520000	Hydraulic tube welding 1	1	
17	204324520001	Hydraulic tube welding 2	1	
18	910200200024	Screw	2	M5x20
19	910400100006	Flat washer	8	8
20	910400500006	Spring washer	8	8
21	910200200057	Screw	8	M8x20
22	950400300004	Joint (straight)	2	
23	204424010007	Hydraulic pipe assembly (90°)	1	PS12CB-C
	204424010009		1	PS15CB-C
24	204324520003	Hydraulic pipe assembly (straight)	1	
25	950400400001	Joint (straight)	2	
26	910200400016	Screw	2	M6x12
27	535045010008	Axle	2	
28	204424010005	Cylinder (T)	1	

29	204324520002	Hydraulic pipe assembly (straight)	1	
30	910200200032	Screw	3	M6x10
31	951000100001	Pipe clamp	3	12
32	204424020003	Spacing plate	1	
33	910200200015	Screw	2	M4x16
34	204424020001	Mounting plate (valves)	1	
35	204498510000	seals	1	

Fig. 30 Hydraulic power unit (2.2KW)

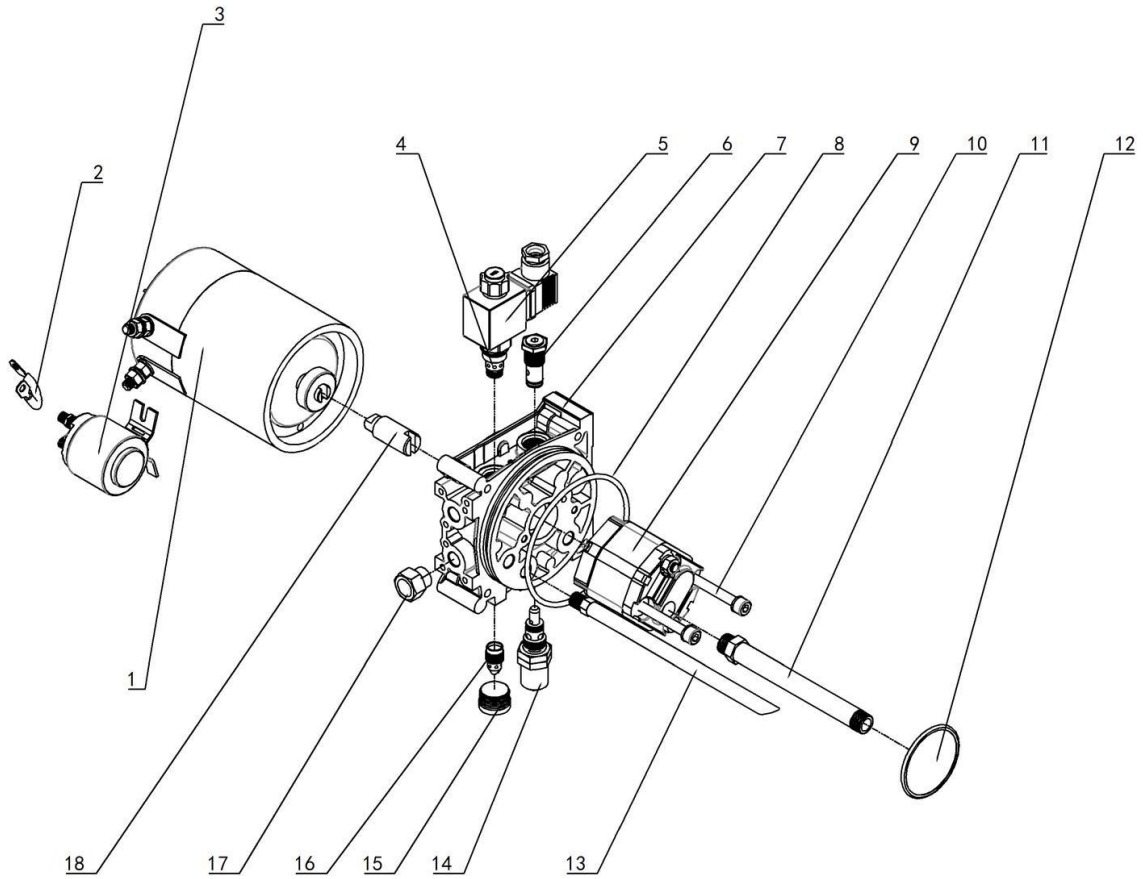


Fig. 30 Hydraulic power unit (2.2KW)

No.	Art No.	Description	Qty.	Note
1	532698510024	AC motor	1	MD24220I
2	532698510025	Soft cable	1	RSWC-01
3	532698510020	Starting switch	1	DK0224
4	532698510015	Manual valve core	1	SCV(E)-Y
5	532698510014	Coil	1	FC024DC
6	532698510016	One-way valve	1	CV-04
7	532698520065	Valve block	1	F001
8	532698520056	O ring	1	112*3.55
9	532698510026	Gear pump	1	CBKL-G2200
10	532698520057	Screw	2	M8*90
11	532698520058	Oil pipe	1	FP-03V-180
12	532698520059	Oil filter	1	FS-03B
13	532698520060	Oil return pipe	1	RU12-230
14	532698510018	Overflow valve	1	RV-04
15	532698520061	Iron plug	1	SP-06
16	532698510027	Relief valve	1	RPCV-02-06
17	532698520066	Pipe joint	1	GJT-G3/8"-ZG1/8"
18	532698520067	Coupling	1	DCP-048

Fig. 31 Hydraulic power unit (3.0KW)

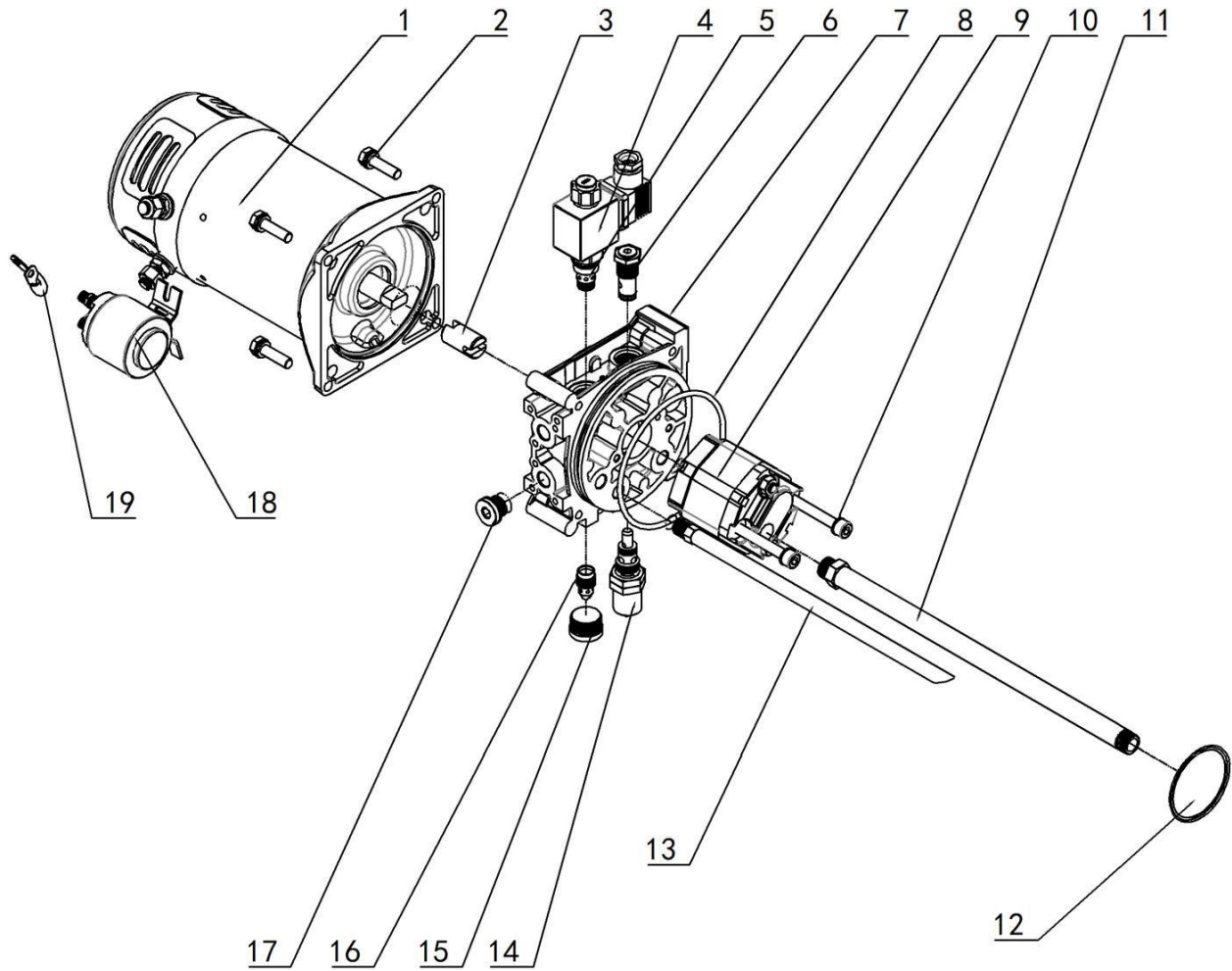


Fig. 31 Hydraulic power unit (3.0KW)

No.	Art No.	Description	Qty.	Note
1	532698510013	DC motor	1	
2	532698520053	Motor screw	4	M18x1.5
3	532698520054	Coupling	1	
4	532698510014	Coil	1	
5	532698510015	Manual valve core	1	M8x20
6	532698510016	One-way valve	1	M6x14
7	532698520055	Valve block	1	HPI
8	532698520056	O ring	1	M10x16
9	532698510022	Gear pump	1	10
10	532698520057	Screw	2	
11	532698520063	Oil pipe	1	
12	532698520059	Oil filter	1	
13	532698520064	Oil return pipe	1	
14	532698510018	Overflow valve	1	
15	532698520061	Iron plug	1	
16	532698510023	Relief valve	1	
17	532698520062	Iron plug	1	
18	532698510020	Starting switch	1	
19	532698510021	Soft cable	1	

Fig. 32 Electric system (without tilt)

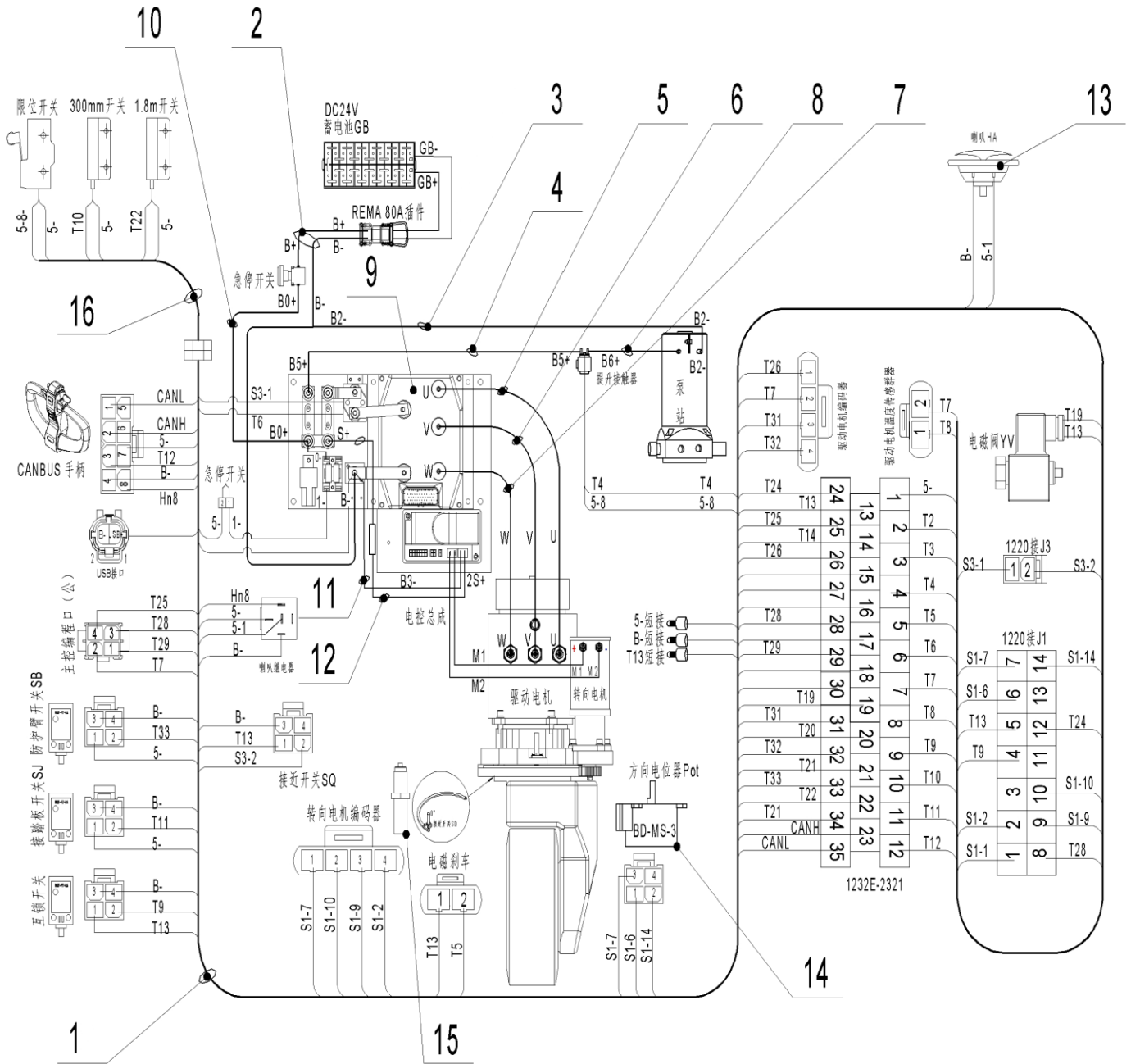


Fig. 32 Electric system (without tilt)

No.	Art No.	Description	Qty.	Note
1	204333010001	Main control wire harness (1232E+1220)	1	
2	204333010015	Main power wire harness	1	
3	204333010006	Cable-B2--25-8-8-2210	1	
4	204333010008	Cable-B5+-25-8-8-1850	1	
5	204333010012	Cable-U-16-6-8-1000	1	
6	204333010013	Cable-V-16-6-8-1000	1	
7	204333010014	Cable-W-16-6-8-1000	1	
8	204333010009	Cable-B6+-25-8-8-100	1	
9	204333010000	Electrical control system 1232E+1220	1	
10	204333010005	Cable-B0+-25-8-8-810	1	
11	204333010007	Cable-B3--6-6.3-6-400	1	
12	204333010020	Steering positive wire harness	1	
13	920500100001	Horn 125-DC24V	1	
14	204333010018	Potentiometer RPAZ052 (400mm)	1	
15	204333010019	Proximity switch Fi4-G12-OP6L (500mm)	1	
16	204333010017	Mast switch wire harness (single mast)	1	
	204333010004	Mast switch wire harness (multiple mast)	1	

Fig. 33 Electric system (with tilt)

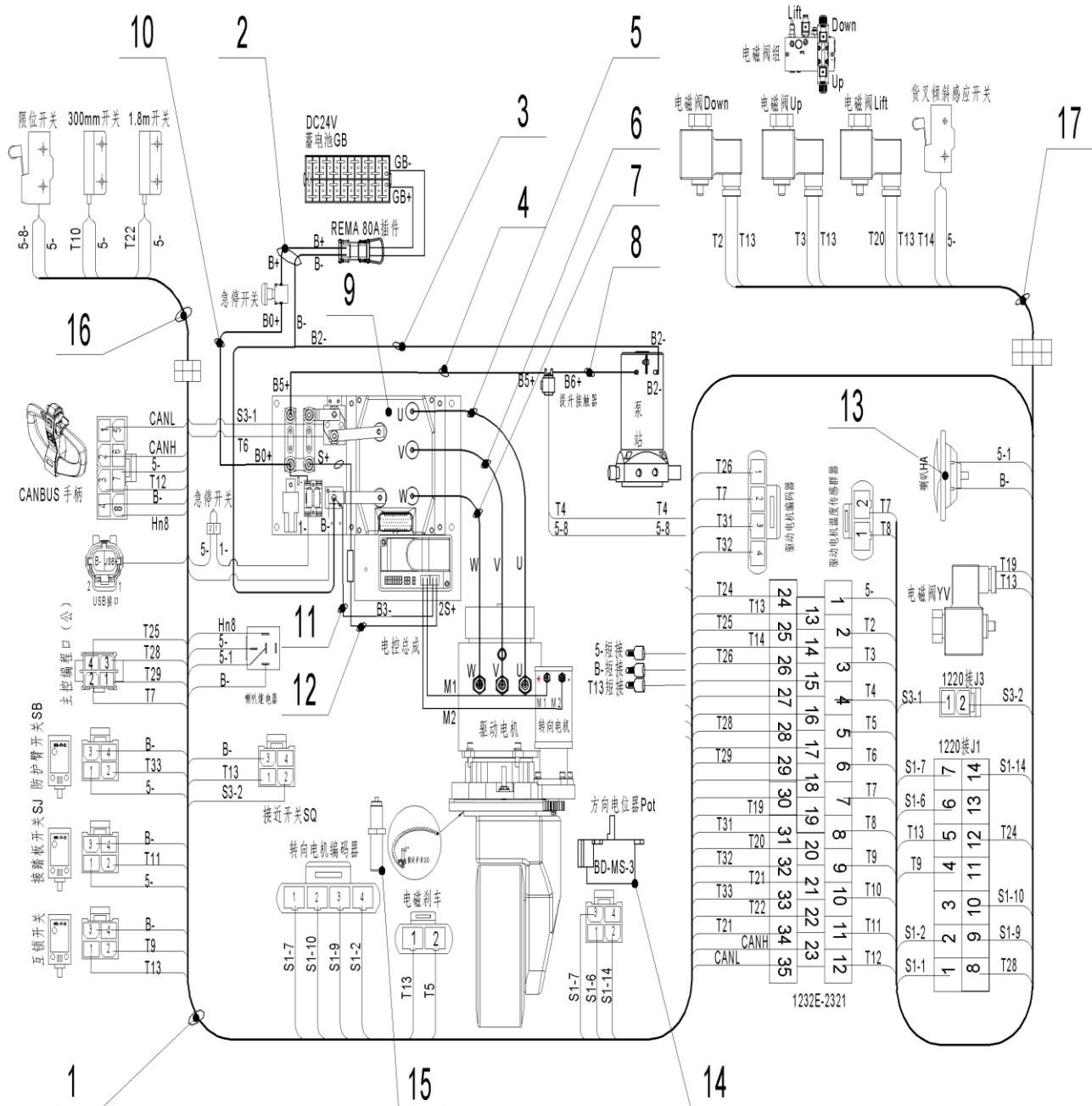


Fig. 33 Electric system (with tilt)

No.	Art No.	Description	Qty.	Note
1	204333010001	Main control wire harness (1232E+1220)	1	
2	204333010015	Main power wire harness	1	
3	204333010006	Cable-B2--25-8-8-2210	1	
4	204333010008	Cable-B5+-25-8-8-1850	1	
5	204333010012	Cable-U-16-6-8-1000	1	
6	204333010013	Cable-V-16-6-8-1000	1	
7	204333010014	Cable-W-16-6-8-1000	1	
8	204333010009	Cable-B6+-25-8-8-100	1	
9	204333010000	Electrical control system 1232E+1220	1	
10	204333010005	Cable-B0+-25-8-8-810	1	
11	204333010007	Cable-B3--6-6.3-6-400	1	
12	204333010020	Steering positive wire harness	1	
13	920500100001	Horn125-DC24V	1	
14	204333010018	Potentiometer RPAZ052 (400mm)	1	
15	204333010019	Proximity switch Fi4-G12-OP6L (500mm)	1	
16	204333010017	Mast switch wire harness (single mast)	1	
	204333010004	Mast switch wire harness (multiple mast)	1	
17	204333010002	Mast tilt wire harness	1	

Fig. 34 Electrical control system

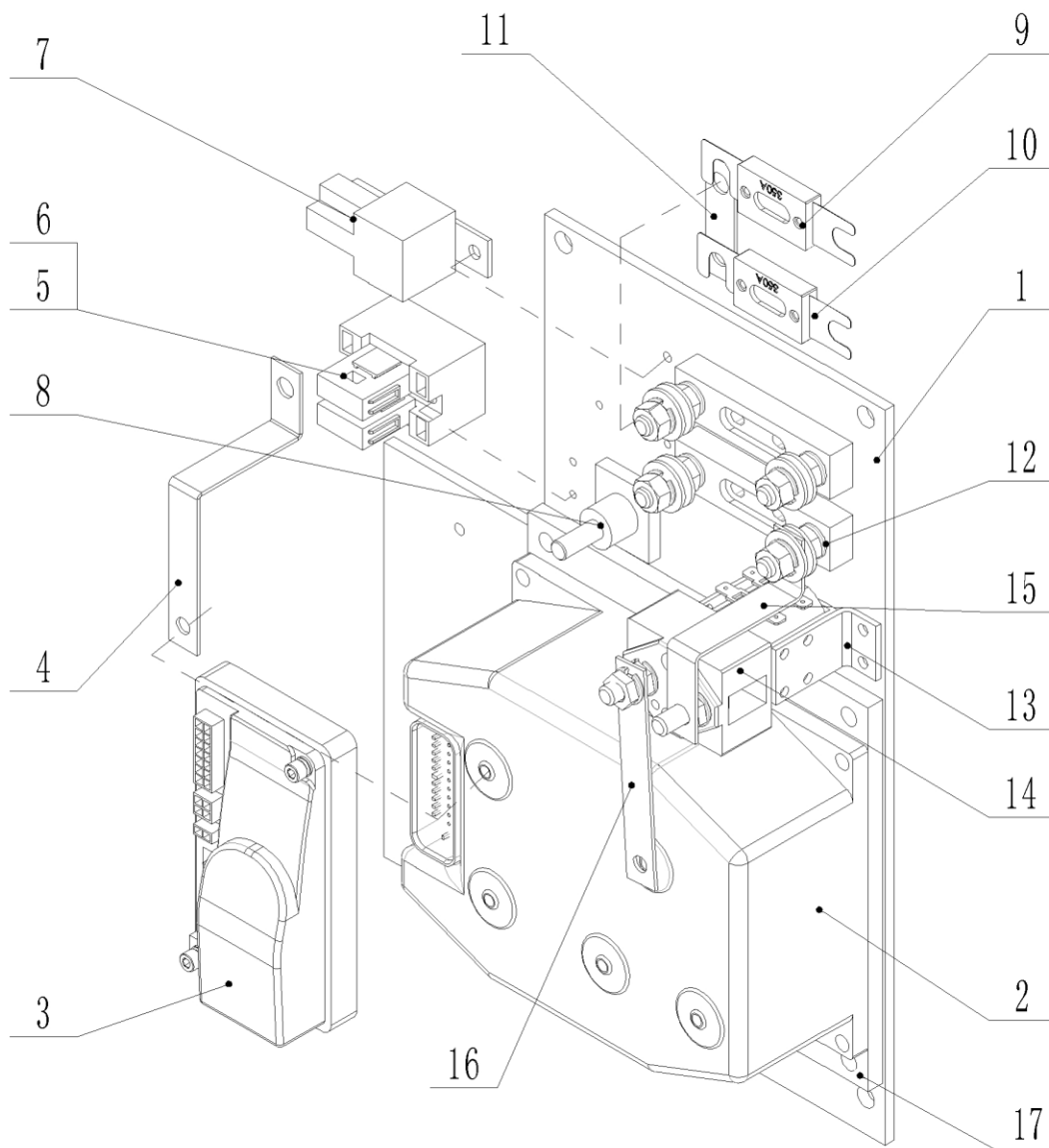


Fig. 34 Electrical control system

No.	Art No.	Description	Qty.	Note
1	204233020000	Base plate (controller)	1	
2	921400100006	Controller 1232E-2121	1	
3	920700100004	Contactor DC24V-C100-120	1	
4	505633020003	Copper plate	1	
5	920100200002	Fuse 10A	1	
6	920100400005	Fuse holder BD-2x10A-1	1	
7	920800100009	RelayCMA31-DC24V	1	
8	920100400001	Fuse holder M8	1	
9	920100100008	Fuse 200A (plastic)	1	
10	920100100007	Fuse 150A (plastic)	1	
11	505633020000	Copper plate	1	
12	920100400002	Fuse holder SY Y	2	
13	921300400001	Main contactor holder (100)	1	
14	920700100004	Contactor DC24V-C100-120	1	
15	505633020001	Copper plate	1	
16	505633020002	Copper plate	1	
17	505633020004	Aluminium plate (CURTIS1232E-2121)	1	

Wearing parts list

No.	Art. No.	Description	Qty.	Note
1	505633510001	Proximity switch	1	Protective arm
2	505633510000	Proximity switch	1	Tiller assembly
3	940500200002	Bushing	2	
4	940400100041	Air spring	1	
5	940500200008	Bushing (with shoulder)	4	Platform assembly
6	940400100039	Air spring	1	
7	505633510002	Proximity switch	1	
8	940300300025	Tyre	2	Load wheel assembly
9	910700200025	Bearing	4	
10	940200300004	Composite rollers	4	Carriage assembly
11	201098520033	Support ring for hole	1	Outer cylinder of three stage mast (full free lift)
12	910800100082	O ring	2	
13	910800500007	Support ring for axle	1	
14	910801000001	Step seal	1	
15	910800300025	Seal for axle	1	
16	910800200001	Circlip	1	
17	910800400022	Dust proof ring	1	
18	201098510005	Cylinder seals	1	
19	201098520047	Support ring for hole	1	Middle cylinder of three stage mast (full free lift)
20	910800100032	O ring	1	
21	201098520054	Support ring for axle	1	
22	201098520055	Step seal	1	
23	201098520056	Seal for axle	1	
24	201098520057	Circlip	1	
25	201098520058	Dust proof ring	1	
26	201098510006	Cylinder seals	1	
27	201098520033	Support ring for hole	1	Outer cylinder of two stage mast (standard lift)
28	910800100082	O ring	2	

29	910800500007	Support ring for axle	1	
30	910801000001	Step seal	1	
31	910800300025	Seal for axle	1	
32	910800200001	Circlip	1	
33	910800400022	Dust proof ring	1	
34	201098510005	Cylinder seals	1	
35	201098520047	Support ring for hole	1	Middle cylinder of one stage mast
36	910800100032	O ring	1	
37	201098520054	Support ring for axle	1	
38	201098520055	Step seal	1	
39	201098520056	Seal for axle	1	
40	201098520057	Circlip	1	
41	201098520058	Dust proof ring	1	
42	201098510006	Cylinder seals	1	
43	910700200041	Bearing	2	Electronic power steering unit
44	920200300003	Micro switch	1	Hydraulic system (with tilt)
45	204498510000	Seals	1	
46	920100200002	Fuse 10A	1	Electrical control system
47	920100100008	Fuse 200A	1	
48	920100100007	Fuse 150A	1	