

# NOBLELIFT

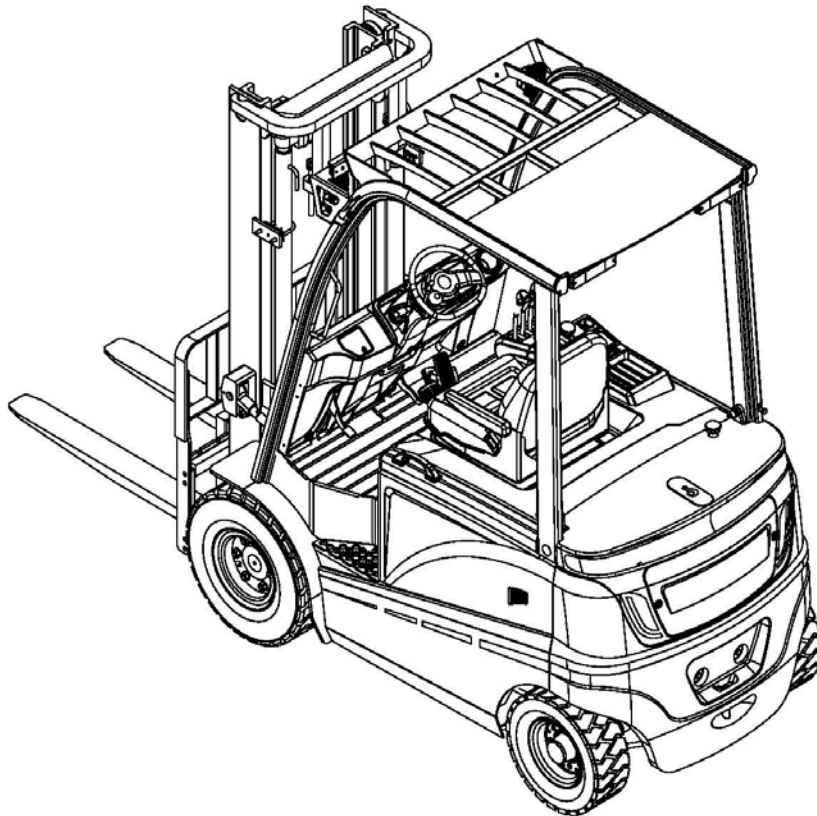


FE4P20-25N-BPT-001

## **WARNING**

Do not use the forklift before reading and understanding the operating instructions as well as the warning decals on the truck.

Keep for future reference.



# Spare Parts List

FE4P20-25 N series

battery counterbalanced forklift truck

---

NOBLELIFT INTELLIGENT EQUIPMENT CO.,LTD.

## Forword

Welcome to use Noblelift counter balanced fork lift truck!

- 1、 This spare parts list includes all the parts of FE4P20-25 N series forklift truck.
- 2、 The user can refer the list according to the catalogue page.
- 3、 When repairing or replacing the spare parts, please use correct spare parts to ensure the truck quality.
- 4、 When ordering parts, please write clearly the truck type, manufacturing number, parts serial number and order quantity.

Note: ▲ Do not provide spare parts separately.

- 5、 In order to further optimize the product, we reserve the right to change our products. and without prior notice to you, please understand. If you want to know the latest product information, you can get the latest information from the company's sales and spare parts company.

# Catalogue

	Forward.....	1
	Catalogue.....	2-3
1	Drive system.....	4-5
2	Drive axle.....	6-7
3	Brake assembly.....	8-11
4	Gearbox .....	12-13
5	Differential mechanism .....	14-15
6	Drive wheel assembly.....	16-17
7	Lifting motor and installation.....	18-19
8	Battery and bracket.....	20-21
9	Foot pedal and installation. ....	22-23
10	Battery box cover.....	24-27
11	Right side door.....	28-29
12	Right side plate (hoisting frame).....	30-31
13	Left cover plate.....	32-33
14	Valve cover.....	34-35
15	Counter weight assembly.....	36-37
16	Frame (sidesway).....	38-39
17	Frame (ceiling mounted).....	40-41
18	Control panel.....	42-43
19	Steering mechanism and installation.....	44-45
20	Foot brake.....	46-47
21	Parking brake.....	48-51
22	Overhead guard and installation.....	52-53
23	Rearview mirror installation.....	54-55
24	Steering axle and installation.....	56-59
25	Steering cylinder.....	60-61
26	Steering wheel assembly.....	62-63
27	Working cylinder mechanism and installation .....	64-65
28	Multiple directional control valve (bigeminy).....	66-69
29	Multiple directional control valve (trigeminy).....	70-73
30	Multiple directional control valve(four joint).....	74-77
31	Hydraulic system .....	78-91
32	Mast lifting pipeline ( standard mast ) .....	82-83
33	Mast lifting pipeline(two stage full free lift).....	84-85
34	Mast lifting pipeline(three stage full free lift).....	86-89

35	Side shifter and pipeline installation (standard mast).....	90-93
36	Side shifter and pipeline installation(two stage full free).....	94-97
37	Side shifter and pipeline installation(three stage full free).....	98-101
38	Fork.....	102-103
39	Fork carrier(standard mast) .....	104-105
40	Fork carrier(two stage full free) .....	106-107
41	Fork carrier(three stage full free) .....	108-109
42	Mast (standard mast).....	110-113
43	Mast (two stage full free).....	114-117
44	Mast (three stage full free).....	118-121
45	Lifting cylinder(standard mast).....	122-127
46	Short lifting cylinder (two stage full free).....	128-133
47	Lifting cylinder(two stage full free) .....	134-137
48	Short lifting cylinder ( three stage full free ) .....	138-141
49	Short lifting cylinder ( three stage full free ) .....	142-145
50	Tilted cylinder.....	146-147
51	Electric system.....	148-149
52	Electroni ccontrol element CURTIS.....	150-153
53	Power connector assembly.....	154-155
54	Labels.....	156-157
55	Data nameplate.....	158-159

# Drive system

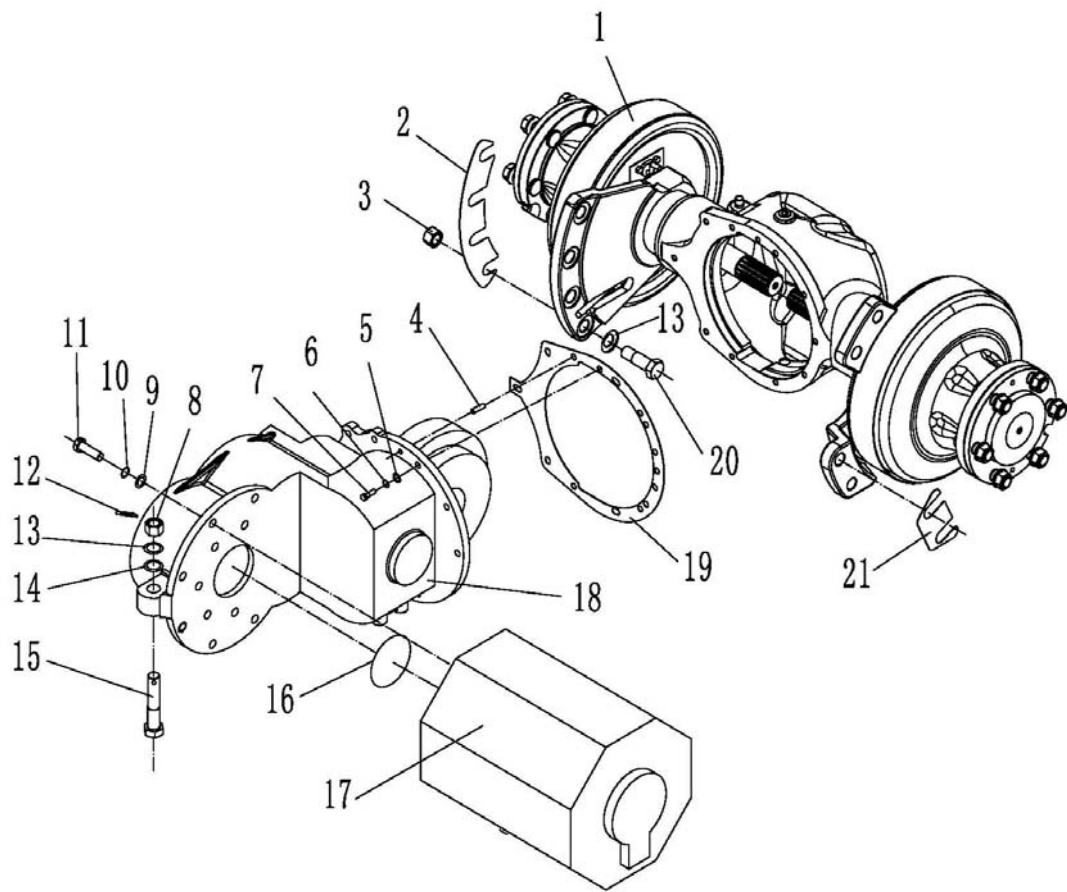


Fig. 1

**Fig. 1****Drive system**

No.	Coding	Description	Qty.	Note
1	255013510001	Drive axle	1	
2	255013520003	Adjusting shim 1	1	
3	255013520002	Nut M20x1.5	8	
4	910600100021	Dowel pin GB119.2-8x25	1	
5	910400100007	Washer GB97.1-10-200HV	12	
6	910400500007	Washer GB93-10	12	
7	910100400004	Bolt GB5786-M10x1.25x30-8.8	12	
8	910300900002	Nut GB6178-M20-8	1	
9	910400100009	Washer GB97.1-14-200HV	5	
10	910400500009	Washer GB93-14	5	
11	910100200010	Bolt GB5785-M14x1.5x50-8.8	5	
12	910600600037	Split pin GB91-4x40	1	
13	910400500012	Washer GB93-20	9	
14	910400100012	Washer GB97.1-20-200HV	1	
15	910100500006	BoltGB31.1-M20x90-8.8	1	
16	910800100020	O ring 90x2.65	1	
17	920900100037	Motor (AC) HPQ9.1-4NL	1	optional
	920900100040	Motor (AC) YDQ9-1-4HC	1	optional
	255098513251	Encoder SNDH-T4L-G01	1	Spare part
18	255014010002	Gear box HDCSB30(middle of south)	1	
19	255013520005	Seal washer	1	
20	255013520001	Bolt M20x1.5x66	8	
21	255013520004	Adjusting washer 2	2	

# Drive axle

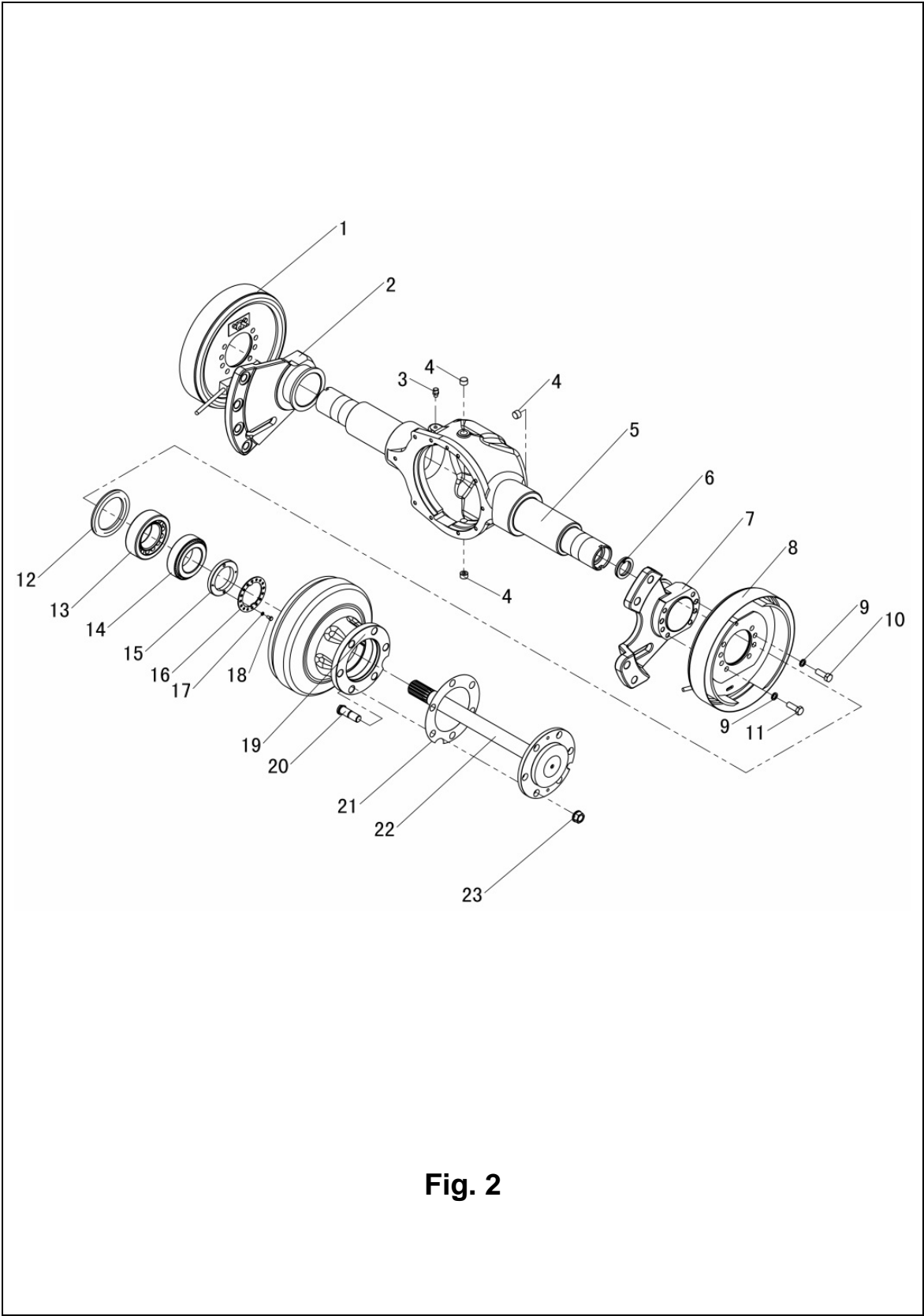


Fig. 2

**Fig. 2****Drive axle**

No.	Coding	Description	Qty.	Note
A	255013510001	Drive axle	1	
1	255098513501	Left brake assembly	1	
2	255098523502	Drive axle left bearing plate	1	
3	255098523503	Air hole assembly	1	
4	255098523504	Blocking	1	
5	255098523505	New drive axle housing	1	
6	255098523506	Oil seal SD45x62x12	2	
7	255098523507	Drive axle right bearing plate	1	
8	255098513508	Right brake assembly	1	
9	255098523509	Spring washer 14	16	
10	255098523510	Brake bolt	4	
11	255098523511	Brake bolt	12	
12	255098523512	Oil seal SD100x140x12	2	
13	255098023513	Bearing 30615	2	
14	255098523514	Bearing331151	2	
15	255098523515	Nut seat	2	
16	255098523516	Nut seat circlip	2	
17	255098523517	Spring washer 6	4	
18	255098523518	Bolt M6x12-4.8	4	
19	255098523519	Hub	2	
20	255098523520	Hub connecting bolt	12	
21	255098523521	Half shaft seal washer	1	
22	255098523522	Half shaft	1	
23	255098523523	Rim nut	12	



# Brake assembly

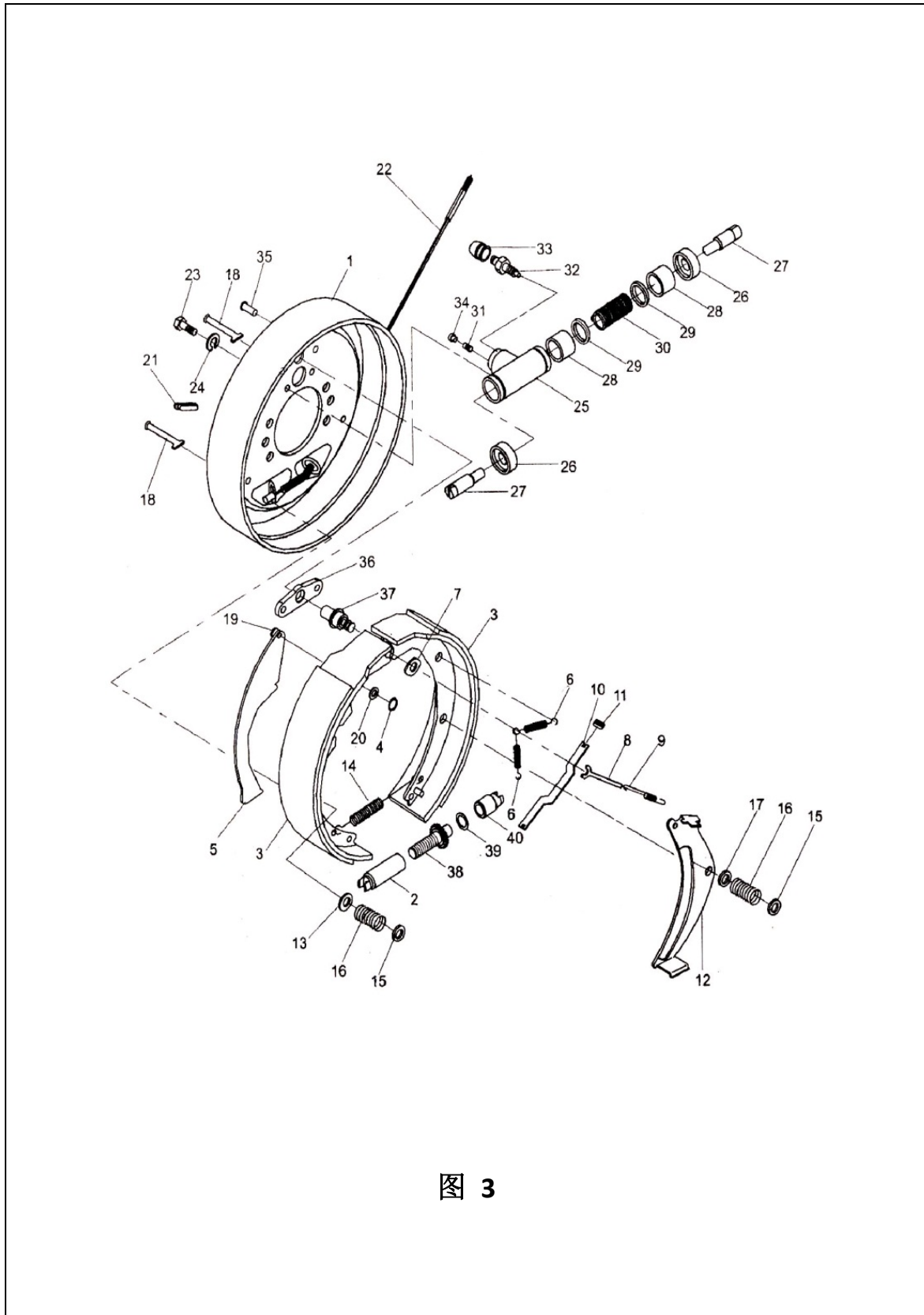


图 3

图 3

## Brake assembly

No.	Coding	Description	Qty.	Note
A	255098513501	Left brake assembly	1	Contains <sup>1-40</sup>
	255098513508	Right brake assembly	1	
1		The left bottom	1	▲
		The right bottom	1	▲
2		Clearance adjusting sleeve	1	▲
3	255098513502	Friction plate assembly	2	
4		Elastic gasket	1	▲
5		Hand brake lever	1	▲
6		Left return spring	2	▲
		Right return spring	2	▲
7		Gasket	1	▲
8		The top bar	1	▲
9		Return spring	1	▲
10		Hand brake push rod	1	▲
11		Compression spring	1	▲
12		Adjust lever	1	▲
13		Left adjust lever	1	▲
		Right adjust lever	1	▲
14		Spring	3	▲
15		Pressure spring seat	1	▲
16		Spring	4	▲
17		Pressure spring seat	4	▲
18		Pressure spring lever	1	▲
19		Support pin	4	▲
20		Gasket	1	▲
21		Rubber plug	1	▲

note: ▲Don't provide spare parts separately

# Brake assembly

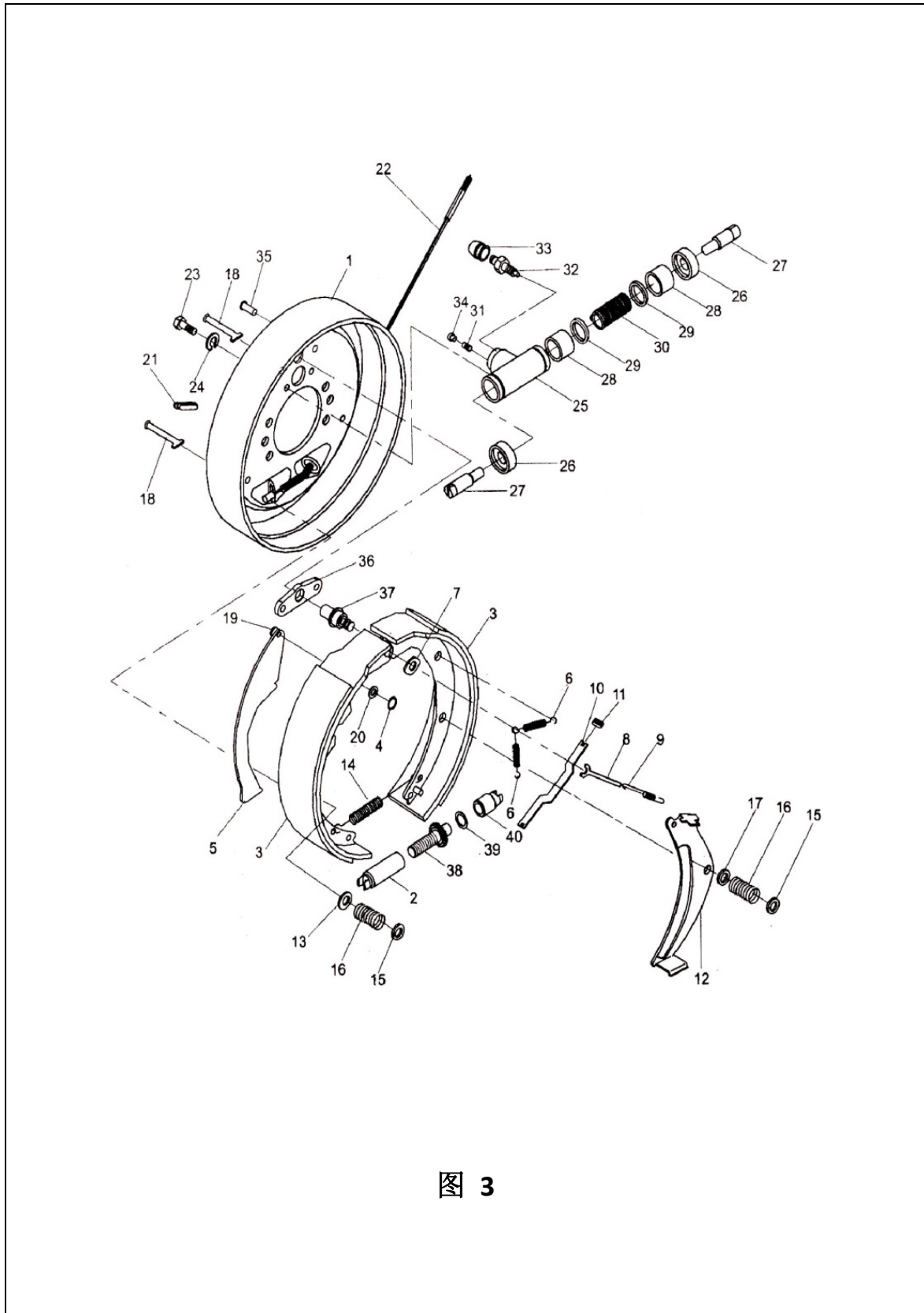


图 3

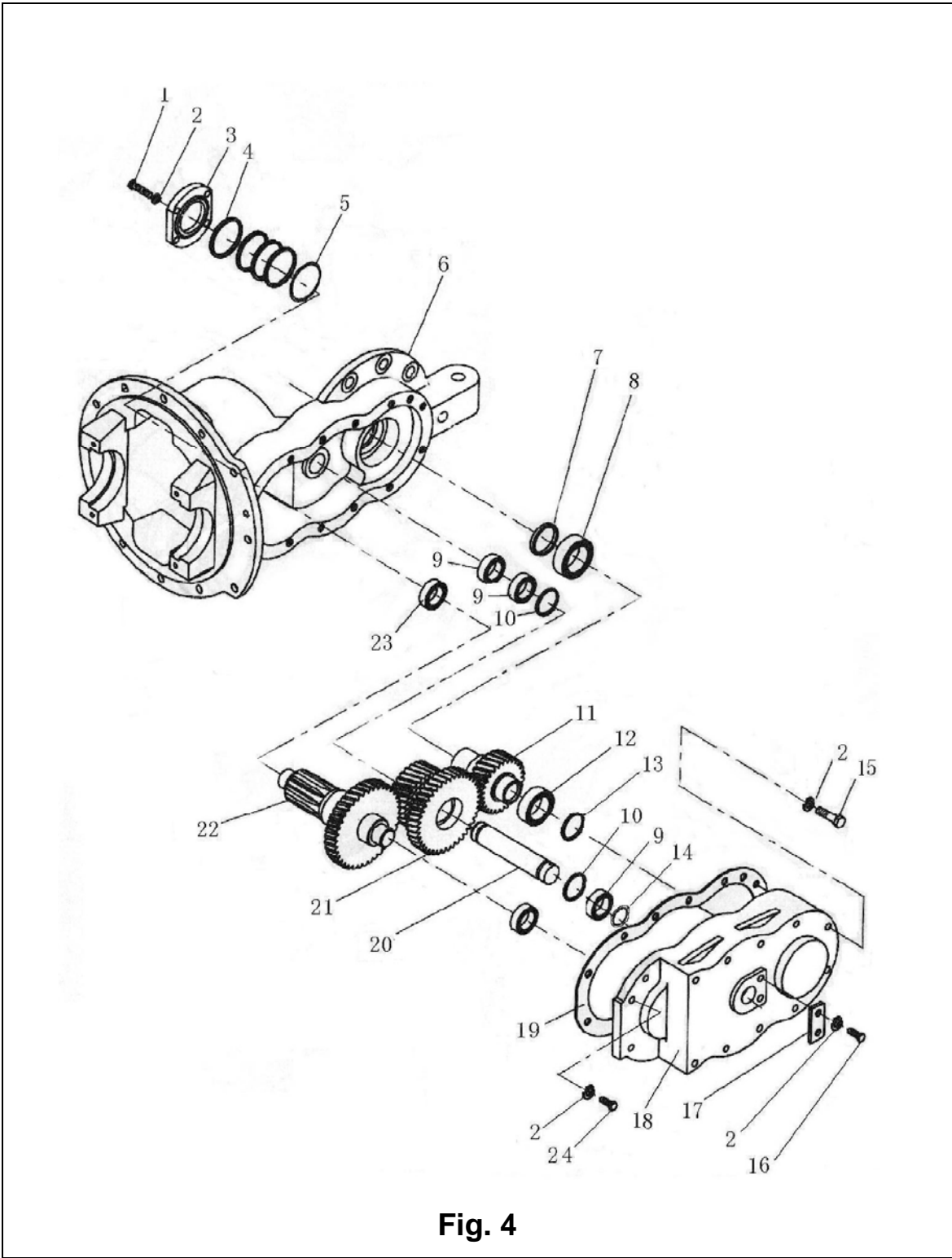
图 3

## Brake assembly

序号	编码	名称	数量	备注
V	255098513503	Left brake cable assembly	1	
	255098513504	Right brake cable assembly	1	
23		Bolt M8X16	2	▲
24		Gasket 8	2	▲
B	255098513505	Right brake pump assembly	1	Contains (25-34)
	255098513806	Left brake pump assembly	1	
25		Right brake pump cylinder	1	▲
		Left brake pump cylinder	1	▲
26		Brake wheel cylinder cover	2	▲
27		Brake wheel cylinder piston rod	2	▲
28		Piston	2	▲
29		Cylinder cup	2	▲
30		Brake wheel cylinder spring	1	▲
31		Pump oil plug braking point	1	▲
32		The braking points deflated screw pump	1	▲
33		Points deflated screw shield pump	1	▲
34		Dust cover	1	▲
35		Rivet	2	▲
36		Plate	1	▲
37		Support pin	1	▲
C		Portclearance adjusting bolt assembly	1	▲ Contains 2and39\4 0
		Right clearance adjusting bolt assembly	1	
2		Left clearance adjusting sleeve	1	▲
		Right clearance adjusting sleeve	1	▲
38		Clearance adjusting bolt	1	▲
		Right clearance adjusting bolt	1	▲
39		Gasket 10	1	▲
40		Clearance adjusting lever	1	▲

note: ▲Don't provide spare parts separately

**Gear box**



**Fig. 4**

**Fig. 4****Gearbox**

---

No.	Coding	Description	Qty.	Note
A	255014010002	Gearbox	1	
1	255098524001	Bolt	4	
2	255098524002	Spring washer	20	
3	255098524003	Bearing cap	1	
4	255098524004	Spacer	4	
5	255098524005	O seal ring	1	
6	255098524006	Box	1	
7	255098524007	Oil seal	1	
8	255098524008	Bearing	1	
9	255098524009	Bearing	3	
10	255098524010	O seal ring	2	
11	255098524011	Input shaft assembly	1	
12	255098524012	Bearing	1	
13	255098524013	Adjusting washer	0	
14	255098524014	Adjusting washer	0	
15	255098524015	Bolt	12	
16	255098524016	Bolt	2	
17	255098524017	Stop dog	1	
18	255098524018	Box cover	1	
19	255098524019	Paper pad	1	
20	255098524020	axle	1	
21	255098524021	Gear	1	
22	255098524022	Gear assembly	1	
23	255098524023	Bearing	2	
24	255098524024	Bolt	2	

# Differential mechanism

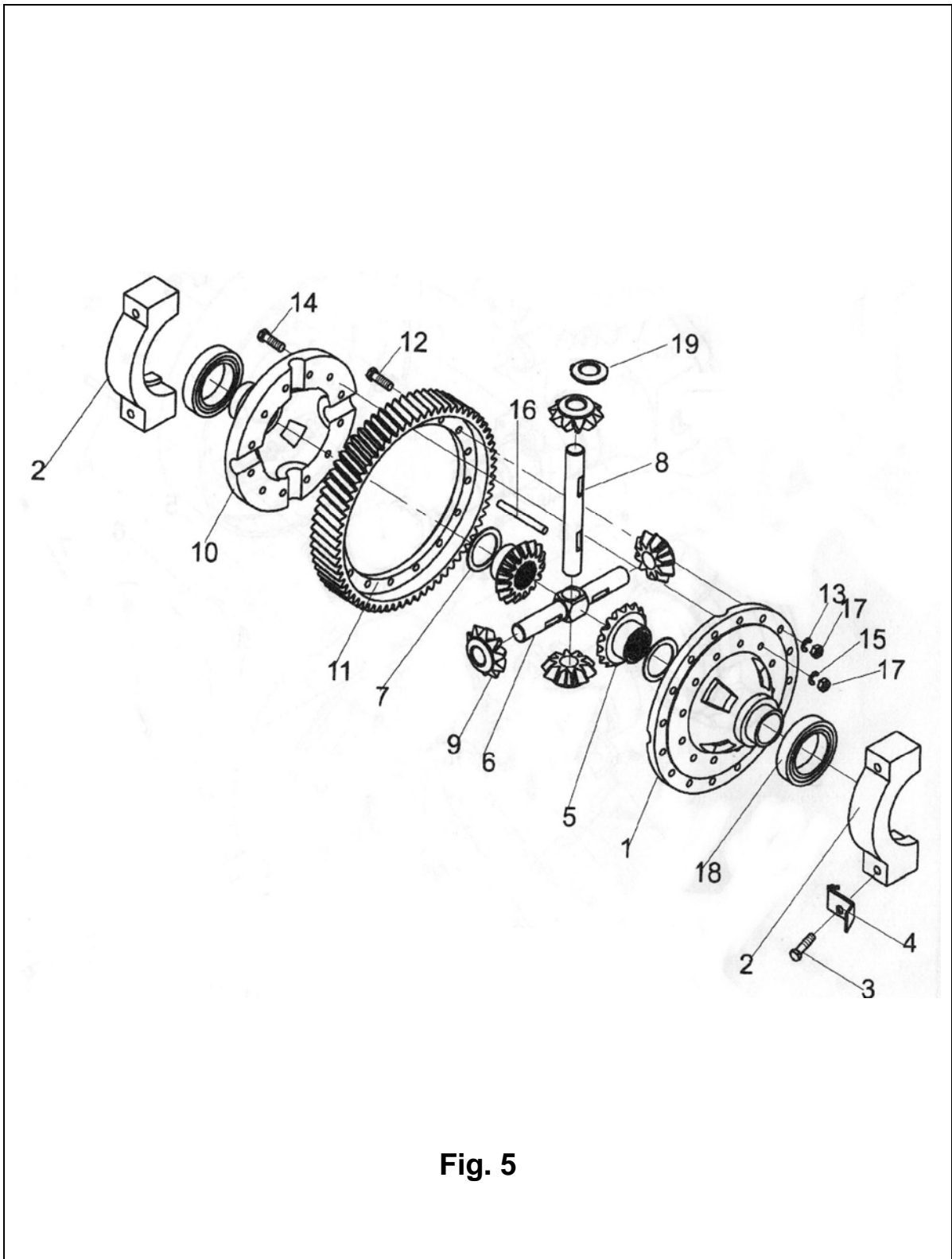


Fig. 5

## **Fig.5 Differential mechanism**

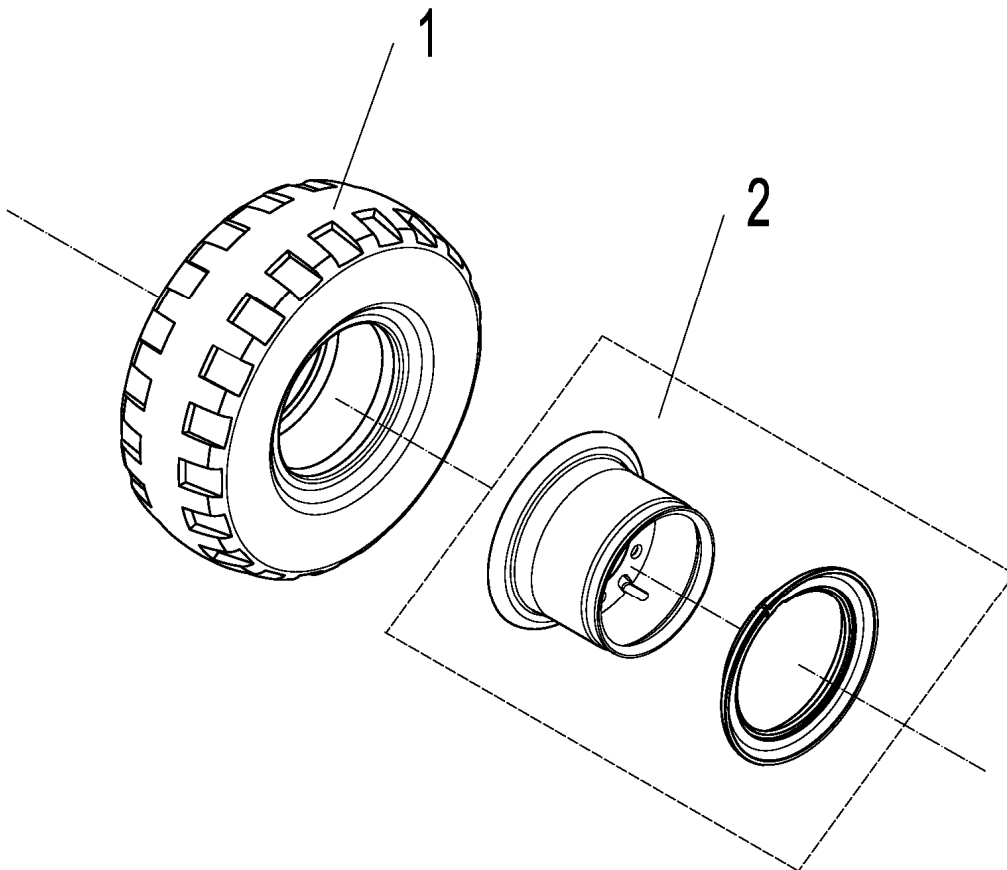
---

No.	Coding	Description	Qty.	Note
1	255098524024	Left differential carrier	1	
2	255098524025	Bearing seat	2	
3	255098524026	Bolt	4	
4	255098524027	Locking plate	4	
5	255098524028	Gear	2	
6	255098524029	Axle	1	
7	255098524030	Washer	2	
8	255098524031	Gear axle( II )	0	
9	255098524032	Gear	4	
10	255098524033	Right differential carrier	1	
11	255098524034	Gear ring	1	
12	255098524035	Washer	4	
13	255098524036	Spacer	6	
14	255098524037	Bolt	12	
15	255098524038	Bearing	2	
16	255098524039	Dowel pin	0	
17	255098524040	Nut	12	



## Drive wheel assembly

---



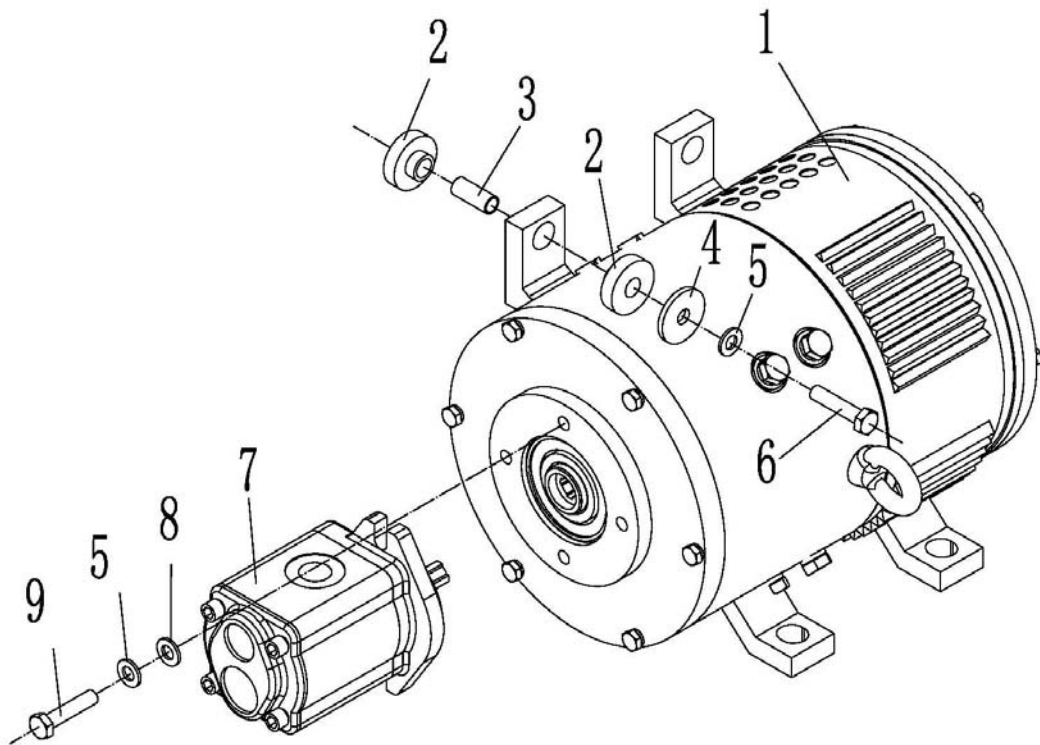
**Fig. 6**

**Fig.6 Drive wheel assembly**

---

No.	Coding	Description	Qty.	Note
<b>A</b>	255013010010	Drive wheel assembly 23x9-10-18PR(gas filled)	2	Optional
	255013010011	Drive wheel assembly 23x9-10 (solid)	2	Optional
	255013010012	Drive wheel assembly 23x9-10(environmental protection )	2	Optional
1	255013010002	Pneumatic tyre 23x9-10-18PR	2	Optional
	255013010003	Solid tyre 23x9-10	2	Optional
	255013010007	Environmental protection tyre 23x9-10	2	Optional
2	255013010001	Rim assembly 6.50F	2	

## Lifting motor and installation

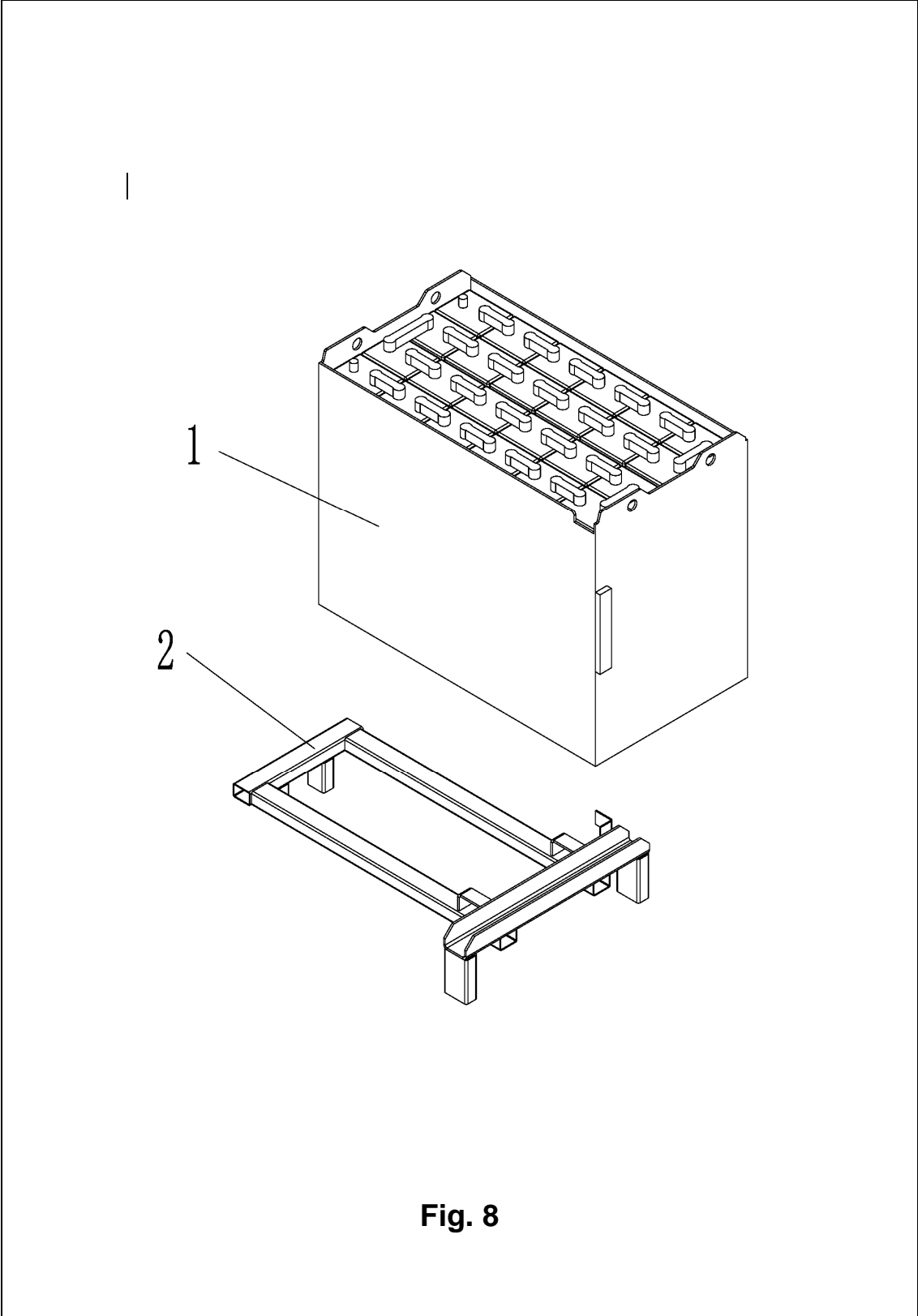


**Fig. 7**

**Fig. 7** **Lifting motor and installation**

No.	Coding	Description	Qty.	Note
1	920900100038	Motor(AC)HPB8.6-4NL	1	AC Optional
	920900100041	Motor(AC)YDB8-6-4	1	AC Optional
	255098513251	Encoder SNDH-T4L-G01	1	Spare parts
2	255032520003	Anti vibration pad	8	
3	255032520001	Bushing	4	
4	255032520002	Washer $\phi 40 \times \phi 11 \times 4$	4	
5	910400500007	Washer GB93-10	6	
6	910100100034	BoltGB5782-M10x55-8.8	4	
7	255023510006	Gear pump	1	
8	910400100007	Washer GB97.1-10-200HV	2	
9	910100300039	Bolt GB5783-M10x40-8.8	2	

**Battery and bracket**

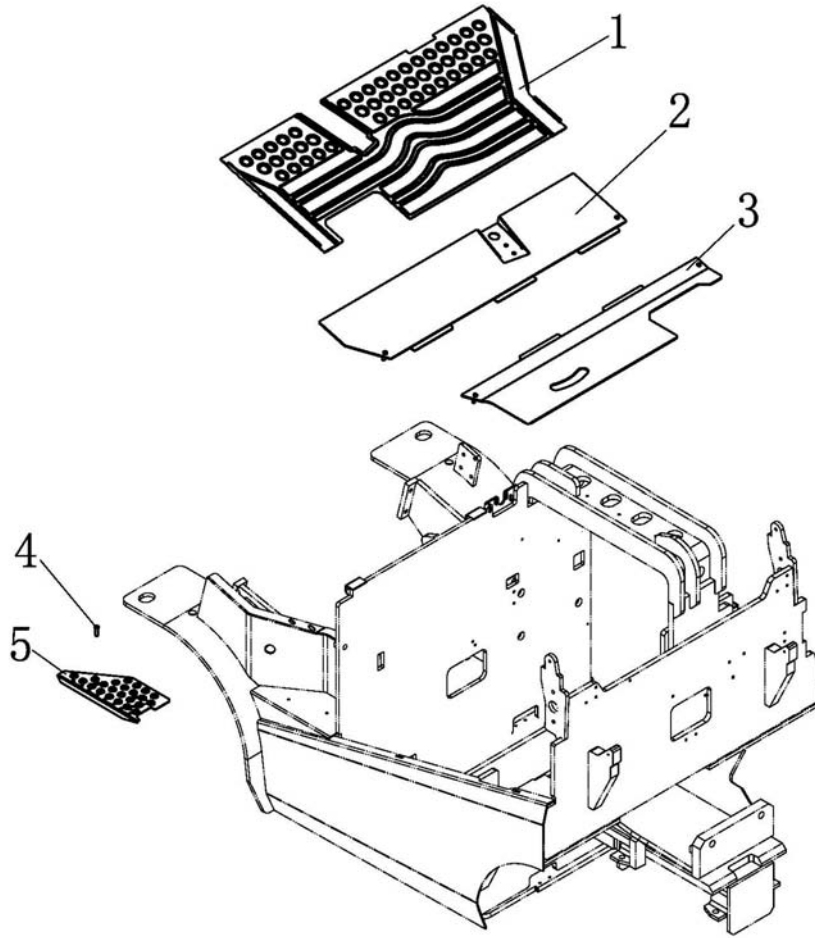


**Fig. 8**

**Fig. 8 Battery and bracket**

No.	Coding	Description	Qty.	Note
1	255037010010	Battery (48V600Ah) (weld,kuile)	1	Optional
	255037010011	Battery (48V630Ah) (weld,kuile)	1	Optional
	255037010012	Battery (48V700Ah) (weld,kuile)	1	Optional
	255037010013	Battery (48V600Ah) (weld,huoju)	1	Optional
	255037010014	Battery (48V630Ah) (weld,huoju)	1	Optional
	255037010015	Battery (48V700Ah) (weld,huoju)	1	Optional
	255037010016	Battery (48V600Ah) (bolt,kuile)	1	Optional
	255037010017	Battery (48V630Ah) (bolt,kuile)	1	Optional
	255037010018	Battery (48V700Ah) (bolt,kuile)	1	Optional
	255037010019	Battery (48V600Ah) (bolt,huoju)	1	Optional
	255037010020	Battery (48V630Ah) (bolt,huoju)	1	Optional
	255037010021	Battery (48V700Ah) (bolt,huoju)	1	Optional
	255037010022	Battery (48V770Ah) (weld,huoju)	1	Optional
	255037010023	Battery (48V770Ah) (bolt,huoju)	1	Optional
	255037010024	Battery (48V600Ah)( bolt ,FAAM)	1	Optional
255037010025	Battery (48V700Ah)( bolt ,FAAM)	1	Optional	
2	255012510001	Battery bracket welding	1	

# Foot pedal



**Fig. 9**

## **Fig. 9** **Foot pedal**

---

No.	Coding	Description	Qty.	Note
1	255018020005	Cushion	2	
2	255018010001	Floor welding (front)	1	
3	255018010002	Floor welding (rear)	1	
4	941100100001	Screw M8x12-8.8	2	
5	255018020006	Foot pedal	1	



# Battery box cover

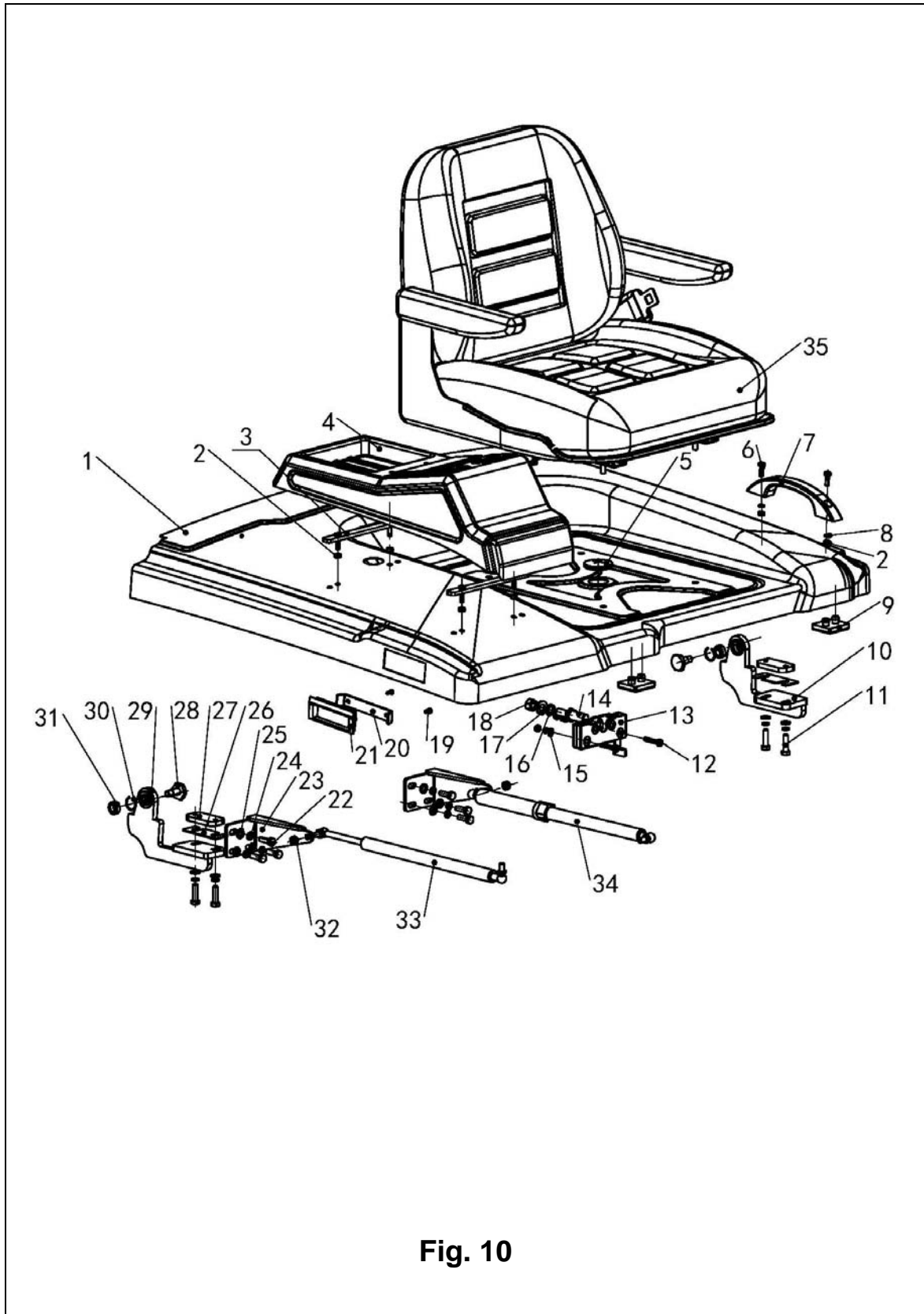


Fig. 10

**Fig. 10** **Battery box cover**

No.	Coding	Description	Qty.	Note
1	255021010002	Battey box cover welding	1	
2	910300100005	Nut GB6170-M6-10	8	
3	255021010016	Pressing plate weiding	2	
4	255021020003	Trim	1	
5	255021020046	Guard cicle $\phi$ 35	1	
6	910200500053	ScrewGB818-M6x20-4.8	2	
7	255021020020	Handle	1	
8	910400500005	WasherGB93-6	4	
9	253521020013	Damping pad	2	
10	255021010005	Hinge welding (left)	1	
11	910100300024	Bolt GB5783-M8x30-8.8	4	
12	910200500056	Screw GB818-M6x35-4.8	2	
13	255021010010	Head cover lock	1	
14	255021020052	Lock tongue 2	1	
15	910400100005	Washer GB97.1-6-200HV	2	
16	910400500008	WasherGB93-12	1	
17	910400100008	WasherGB97.1-12-200HV	1	
18	910300100008	Nut GB6170-M12-10	1	
19	910200500021	Screw GB818-M4x10-4.8	2	
20	255021020055	Fixing plate	1	
21	255021020021	Handle(inside)	1	
22	910100300023	Bolt GB5783-M8x25-8.8	6	
23	255021020047	Holder	2	
24	910400500006	Washer GB93-8	10	
25	910400100006	Washer GB97.1-8-200HV	10	

# Battery box cover

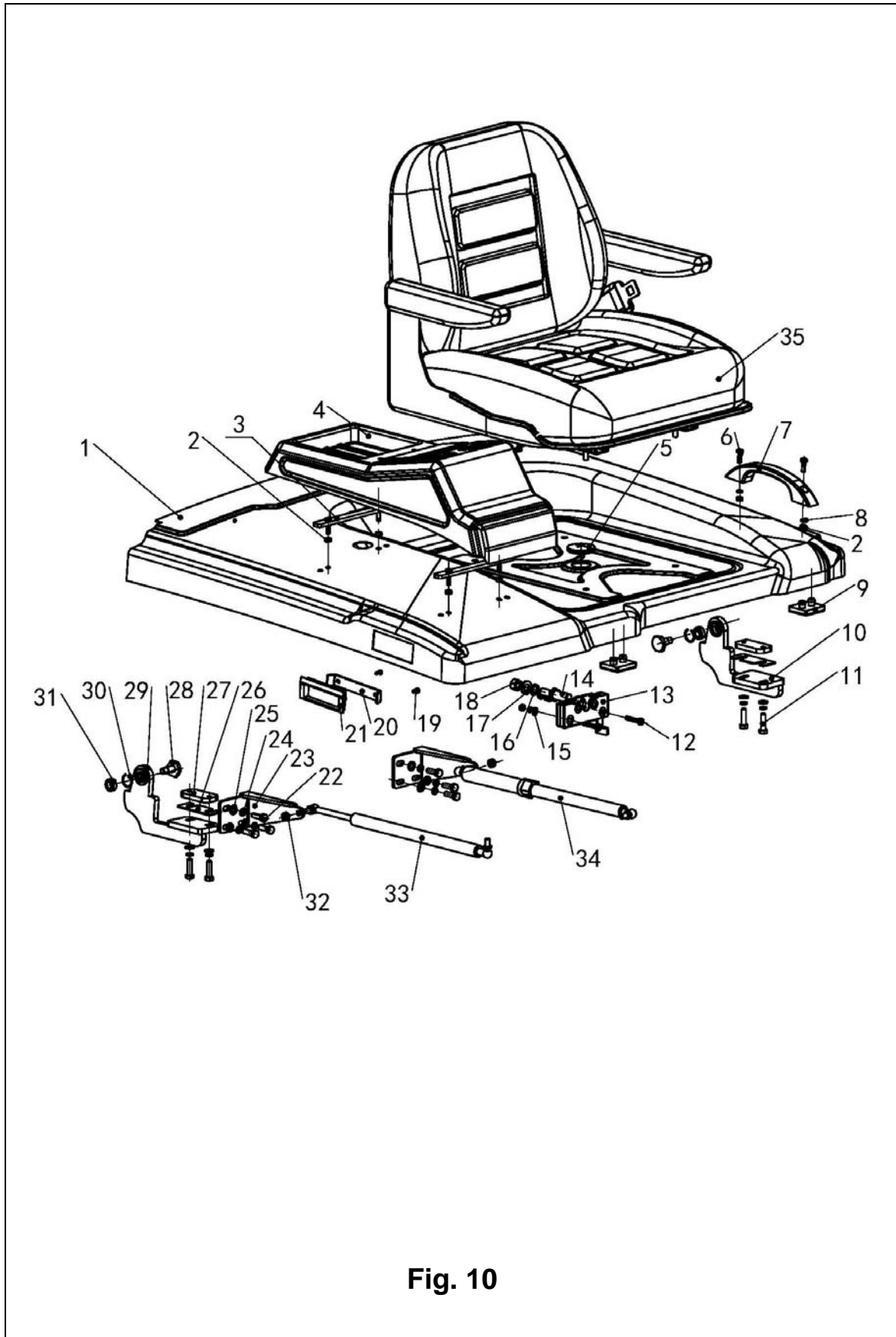


Fig. 10

**Fig. 10** **Battery box cover**

---

No.	Coding	Description	Qty.	Note
26	255021020054	Adjusting pad	2	
27	255021020045	Bed plate	2	
28	255021020043	Bolt	2	
29	255021010006	Hinge welding (right)	1	
30	910401500001	Circlip GB895.1-22	2	
31	255021010014	BearingGE12E	2	
32	910300100006	NutGB6170-M8-10	2	
33	940400100030	Air spring 200N(D620)	1	
34	940400100031	Air spring500N(D620)-lock oneself	1	
35	251037510001	Seat(benfeng BF1-ABC)	1	
	255037510001	Seat ( benfeng BF2-2(A))	1	

# Right side door

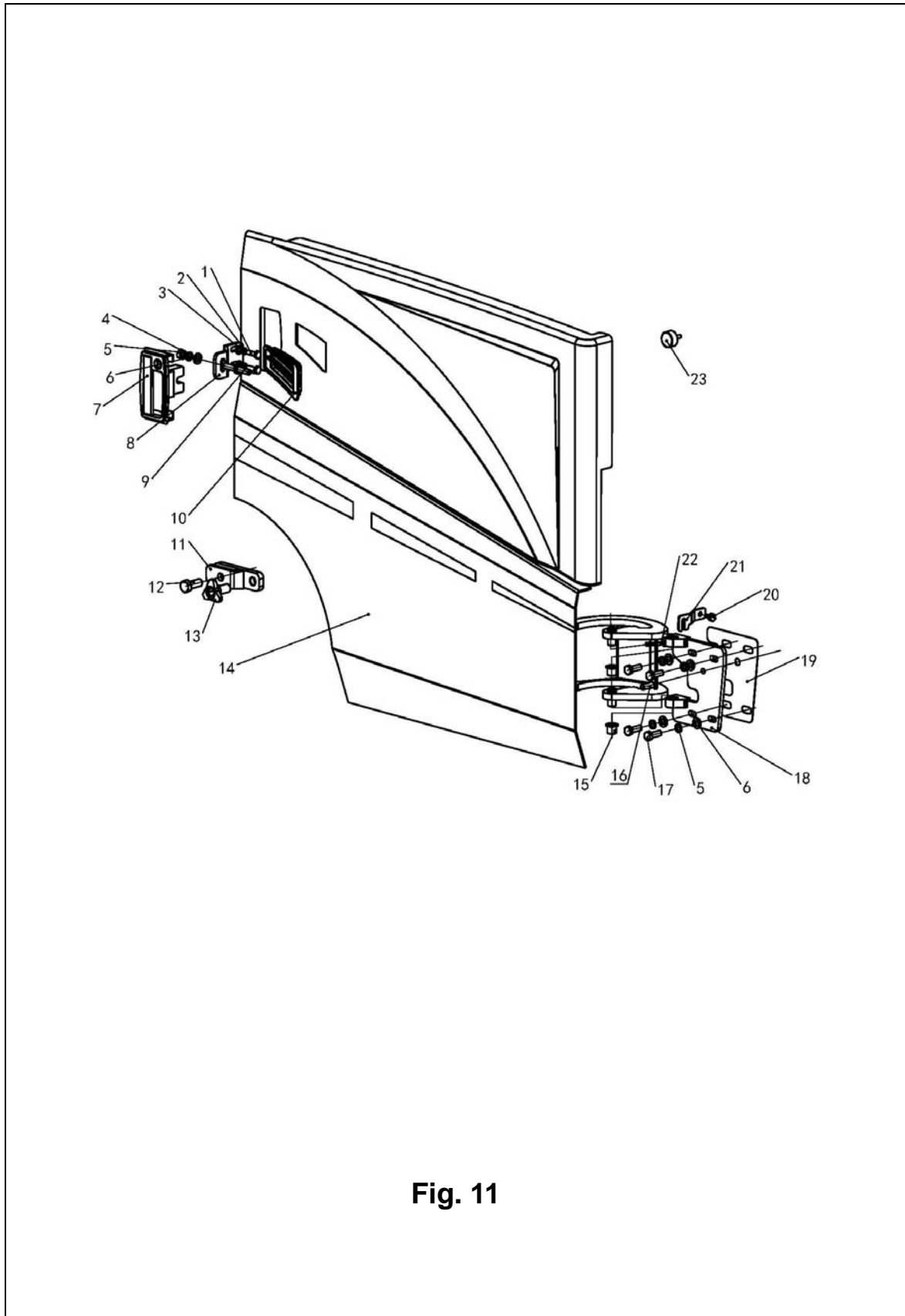


Fig. 11

**Fig. 11** **Right side door**

No.	Coding	Description	Qty.	Note
1	910100300023	Bolt GB5783-M8x25-8.8	2	
2	910400500006	Washer GB93-8	2	
3	910400100006	Washer GB97.1-8-200HV	2	
4	910300100007	Nut GB6170-M10-10	1	
5	910400500007	Washer GB93-10	5	
6	910400100007	Washer GB97.1-10-200HV	5	
7	255021010009	Side door lock	1	
8	255021020039	Fixing plate	1	
9	255021020040	Lock tongue 1	1	
10	505621520041	Air hole (left)	1	
11	255021010007	Limit seat welding	1	
12	910100300063	Bolt GB5783-M14x35-8.8	2	
13	255021020059	Star shaped handle	1	
14	255021010001	Side door welding (right)	1	
15	940500200016	Bushing 16x18x16-SF-1	2	
16	910600100031	Dowel pin GB119.2-10x30	1	
17	910100300037	Bolt GB5783-M10x30-8.8	4	
18	255021010004	Hinge seat welding	1	
19	255021020044	Adjusting washer	1	
20	255021020042	Bolt	1	
21	255021020041	Limit plate	1	
22	910100300014	Bolt GB5783-M6x35-8.8	1	
23	505618020016	Damping pad	1	

## Right side plate (hoisting frame)

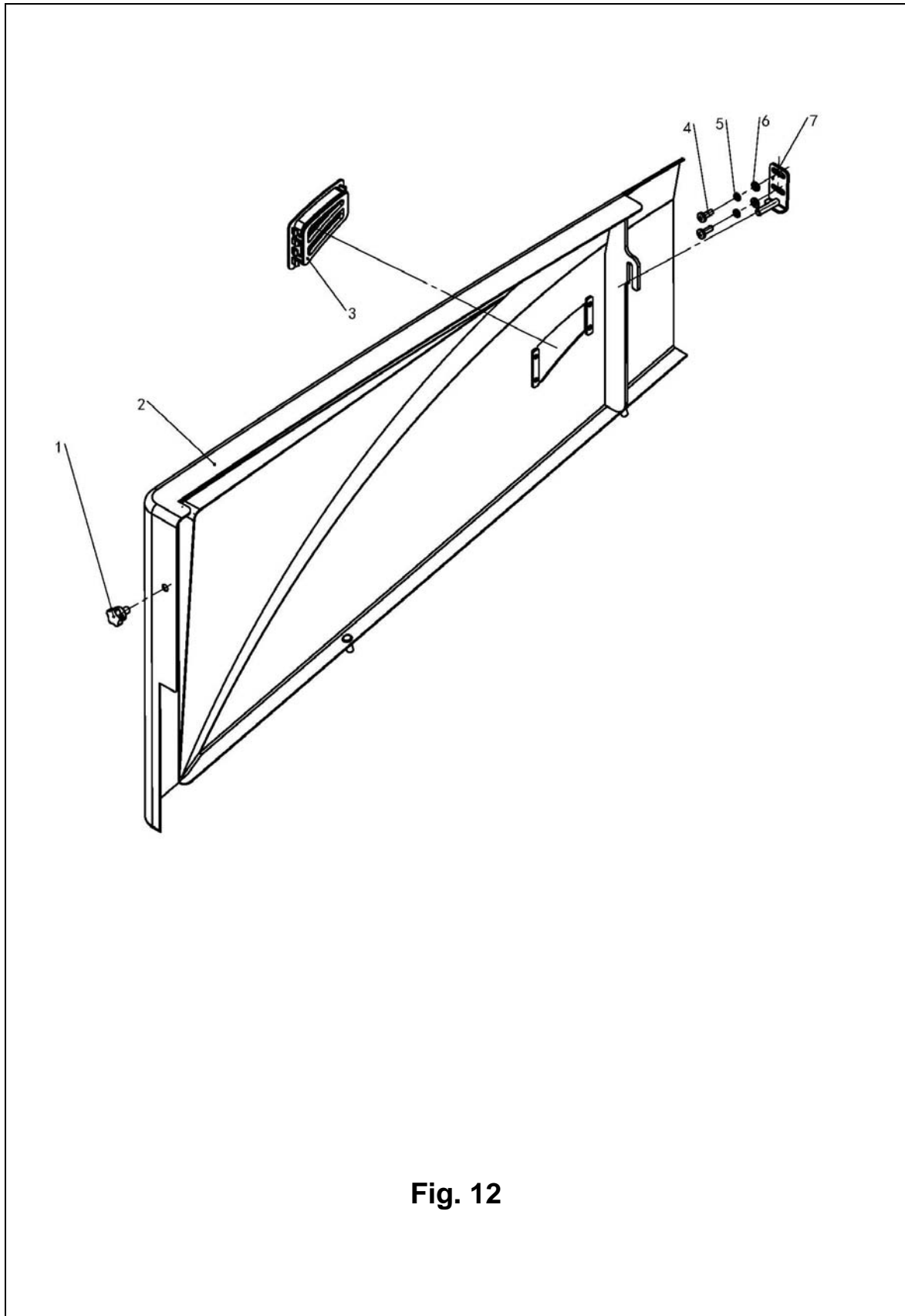


Fig. 12

**Fig. 12** Right side plate (hoisting frame)

No.	Coding	Description	Qty.	Note
1	255021020060	Star shaped handle GB/T7274.4-12x50	1	
2	255021010017	Side plate welding (right)	1	
3	505621520041	Air hole (left)	1	
4	910200500052	Screw GB818-M6x16-4.8	2	
5	910400500005	Washer GB93-6	2	
6	910400100005	Washer GB97.1-6-200HV	2	
7	255021010015	Hook welding (left)	1	



# Left cover plate

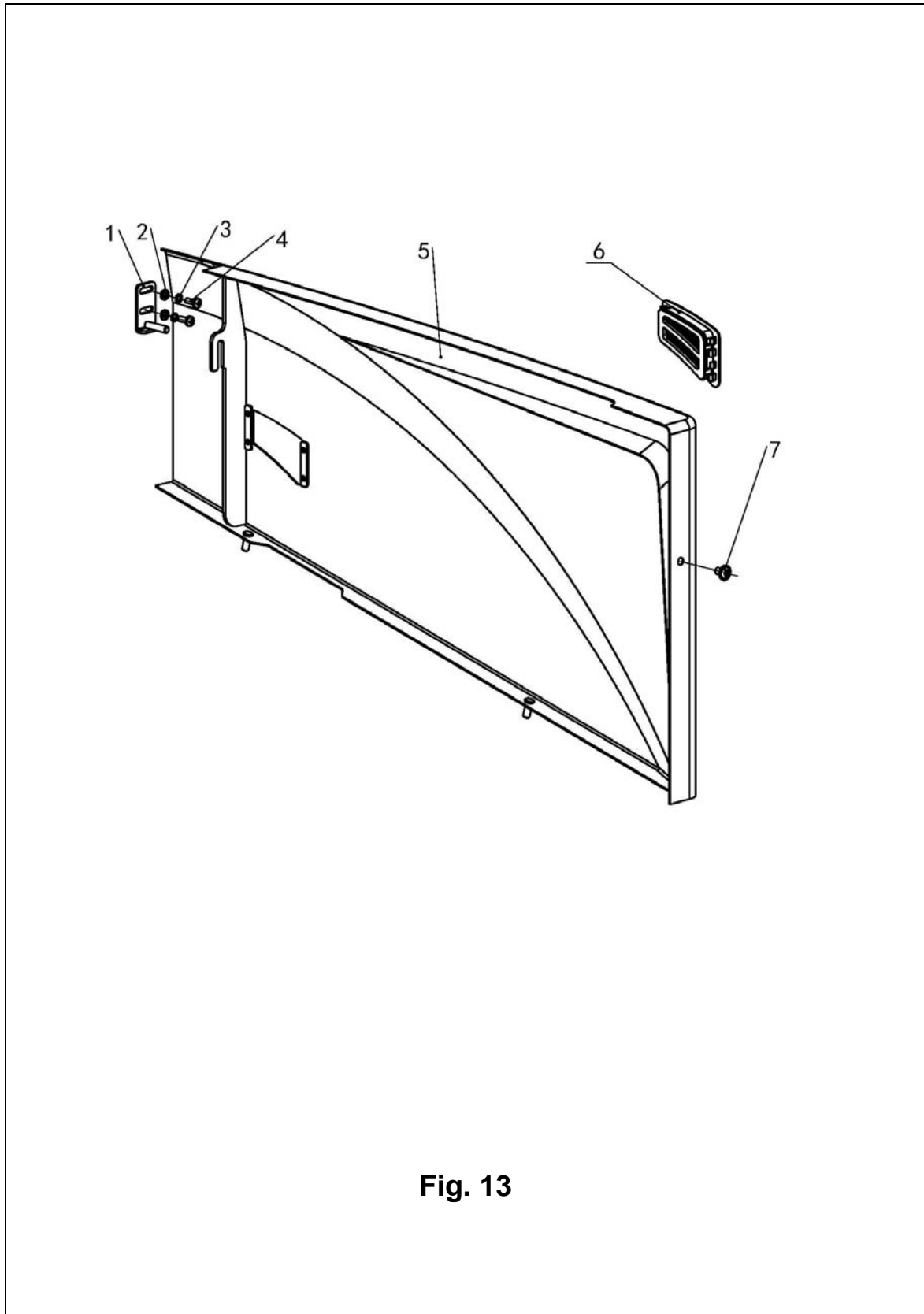


Fig. 13

**Fig. 13** **Left cover plate**

---

No.	Coding	Description	Qty.	Note
1	255021010015	Hook welding (left)	1	
2	910400100005	Washer GB97.1-6-200HV	2	
3	910400500005	Washer GB93-6	2	
4	910200500052	Screw GB818-M6x16-4.8	2	
5	255021010003	Side plate welding (left)	1	
6	505621510004	Air hole (right)	1	
7	255021020060	Bolt	1	

# Valve cover

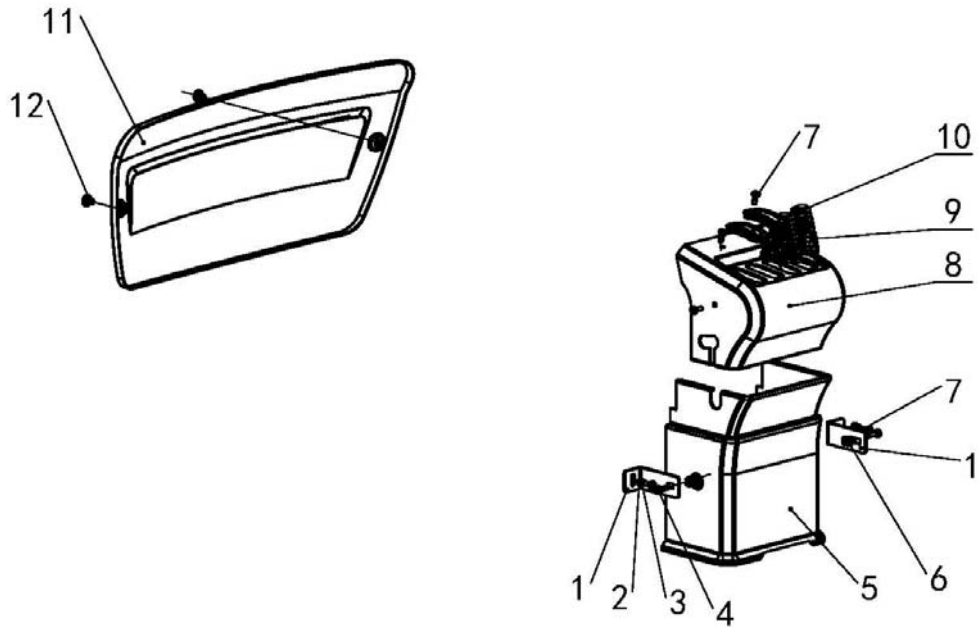


Fig. 14

**Fig. 14** **Valve cover**

---

No.	Coding	Description	Qty.	Note
1	255021020051	Holder	2	
2	910400100005	Washer GB97.1-6-200HV	2	
3	910400500005	Washer GB93-6	2	
4	910200500053	Screw GB818-M6x20-4.8	2	
5	255021020002	Protective cover 1	1	
6	255021020058	M6 Nut	4	
7	910200500052	ScrewGB818-M6x16-4.8	6	
8	255021020001	Protective cover 2	1	
9	253521020012	Rubber sheath	2	
10	255024520065	Cap	2	
11	255024520063	Cover	1	
12	941100100001	ScrewM8X12-8.8	2	

# Counter weight assembly

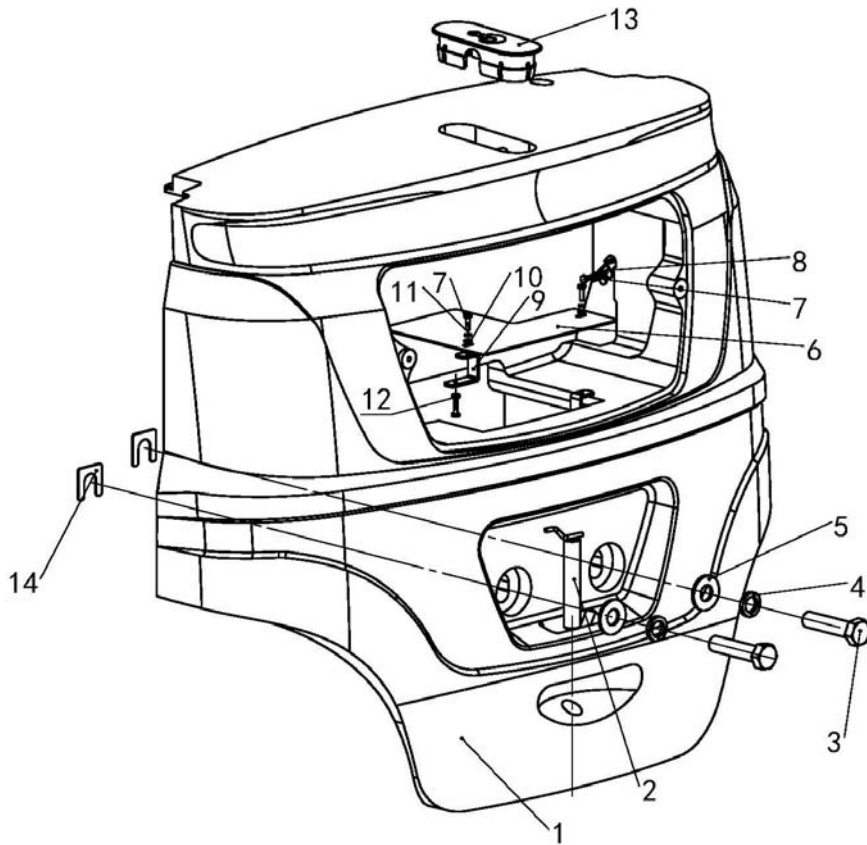


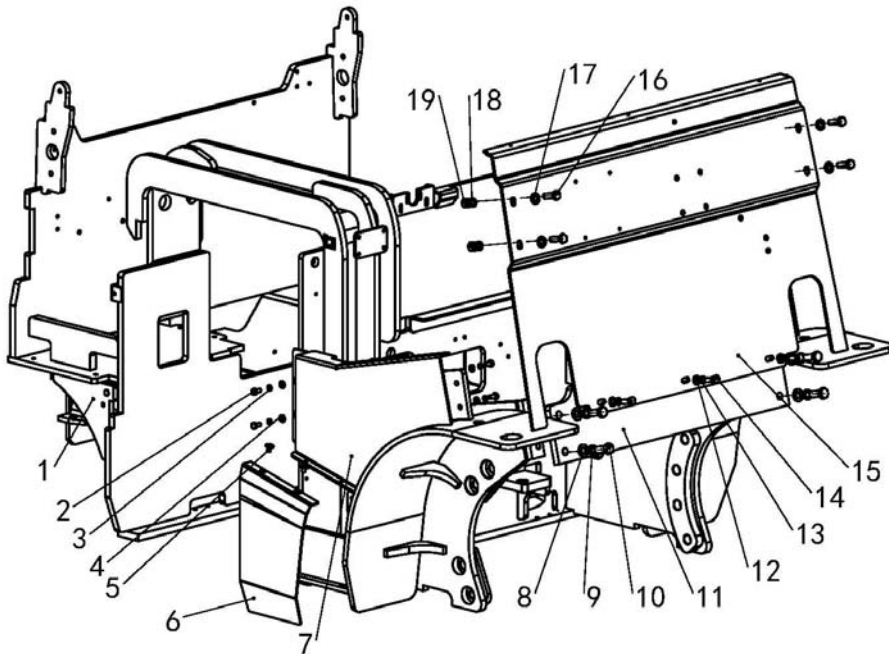
Fig. 15

**Fig. 15** **Counter weight assembly**

---

No.	Coding	Description	Qty.	Note
1	255023020001	Counter weight (2.5t)	1	2.5t
	254523020001	Counter weight (2.0t)	1	2.0t
2	255023010001	Pin	1	
3	910100100101	Bolt GB5782-M24x100-8.8	2	
4	910400500013	Washer GB93-24	2	
5	255023020007	Spacer	2	
6	255023020005	Dust plate	1	
7	910100300011	Bolt GB5783-M6x20-8.8	6	
8	255023020006	Spacer	2	
9	255023020004	Splint	2	
10	910400100005	Washer GB97.1-6-200HV	4	
11	910400500005	Washer GB93-6	4	
12	910300100005	NutGB6170-M6-10	2	
13	255023020002	Cap	1	
14	255023020003	Spacer	2	

# Frame(sideway)



**Fig. 16**

**Fig. 16** **Frame(sidesway)**

No.	Coding	Description	Qty.	Note
1	255021510020	Frame welding (middle of south)	1	
2	910100300020	Bolt GB5783-M8x16-8.8	4	
3	910400500006	Washer GB93-8	4	
4	910400100006	Washer GB97.1-8-200HV	4	
5	941100100001	Screw M8X12-8.8	2	
6	255021510004	Side plate welding	1	
7	255021510001	Baffle welding	1	
8	910400100009	Washer GB97.1-14-200HV	4	
9	910400500009	Washer GB93-14	4	
10	910100300063	Bolt GB5783-M14x35-8.8	4	
11	255021510010	Plate welding	1	
12	910400100007	Washer GB97.1-10-200HV	3	
13	910400500007	Washer GB93-10	3	
14	910100300037	Bolt GB5783-M10x30-8.8	3	
15	255021510009	Indicator welding	1	
16	910100300051	BoltGB5783-M12x35-8.8	4	
17	910400100008	Washer GB97.1-12-200HV	4	
18	910400500008	Washer GB93-12	4	
19	910300100008	Nut GB6170-M12-10	4	



## Frame (ceiling mounted)

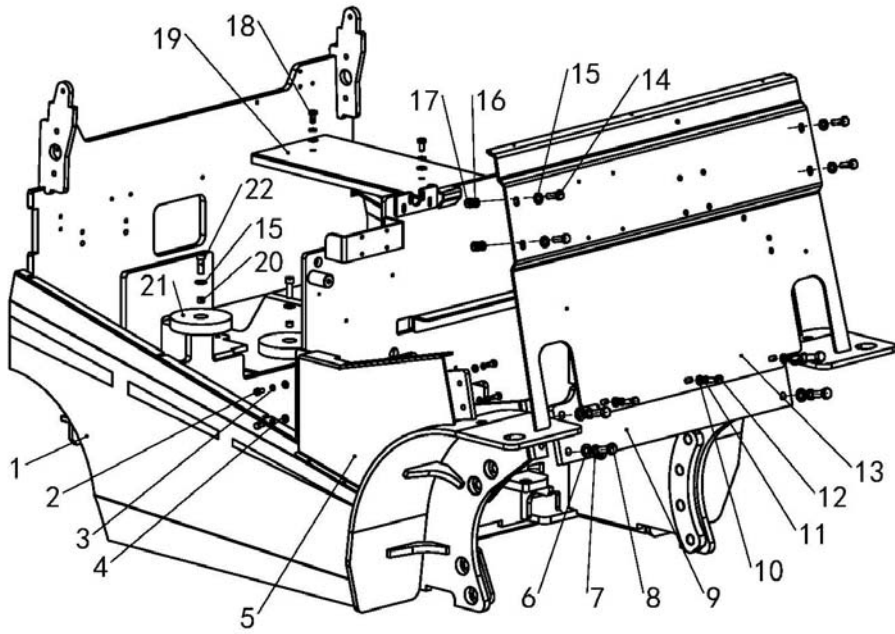


Fig. 17

**Fig. 17** **Frame (ceiling mounted)**

No.	Coding	Description	Qty.	Note
1	255021510021	Frame welding (crane)	1	
2	910100300020	Bolt GB5783-M8x16-8.8	4	
3	910400500006	Washer GB93-8	4	
4	910400100006	Washer GB97.1-8-200HV	4	
5	255021510001	Baffle welding	1	
6	910400100009	Washer GB97.1-14-200HV	4	
7	910400500009	Washer GB93-14	4	
8	910100300063	Bolt GB5783-M14x35-8.8	4	
9	255021510010	Plate welding	1	
10	910400100007	Washer GB97.1-10-200HV	5	
11	910400500007	Washer GB93-10	5	
12	910100300037	Bolt GB5783-M10x30-8.8	3	
13	255021510009	Indicator holder welding	1	
14	910100300051	Bolt GB5783-M12x35-8.8	4	
15	910400100008	Washer GB97.1-12-200HV	8	
16	910400500008	Washer GB93-12	4	
17	910300100008	Nut GB6170-M12-10	4	
18	910100300035	Bolt GB5783-M10x30-8.8	2	
19	255021520101	Cover plate	1	
20	253521520063	Spacer $\Phi 14.5 \times \Phi 12.2 \times 10$	4	
21	253521520062	Anti vibration pad $\phi 140 \times \phi 13 \times 25$	4	
22	910200200099	Screw GB70.1-M12x35-8.8	4	

# Control panel

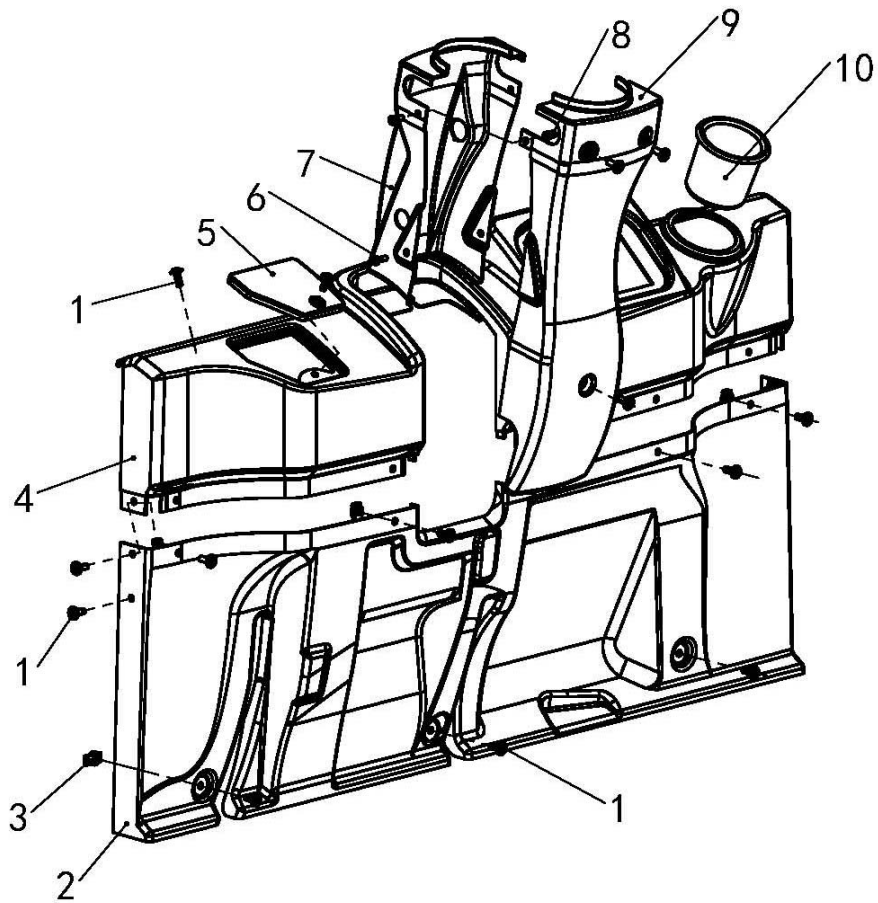


Fig. 18

**Fig. 18****Control panel**

---

No.	Coding	Description	Qty.	Note
1	941100100009	ScrewM6x12-8.8	19	
2	255010020002	Cover	1	
3	255010020009	Nut M6	10	
4	255010020001	Cover (Curtis)	1	
	255010020007	Cover (Inmotion)	1	Optional
5	255010020003	Lid	1	
6	910200500040	Screw GB818-M5x16-4.8	2	
7	255010020005	Front cover	1	
8	910301300001	NutGB17880.1-M5x14	1	
9	255010020006	Lid	1	
10	255010020004	Tool box	1	

## Steering mechanism and installatio

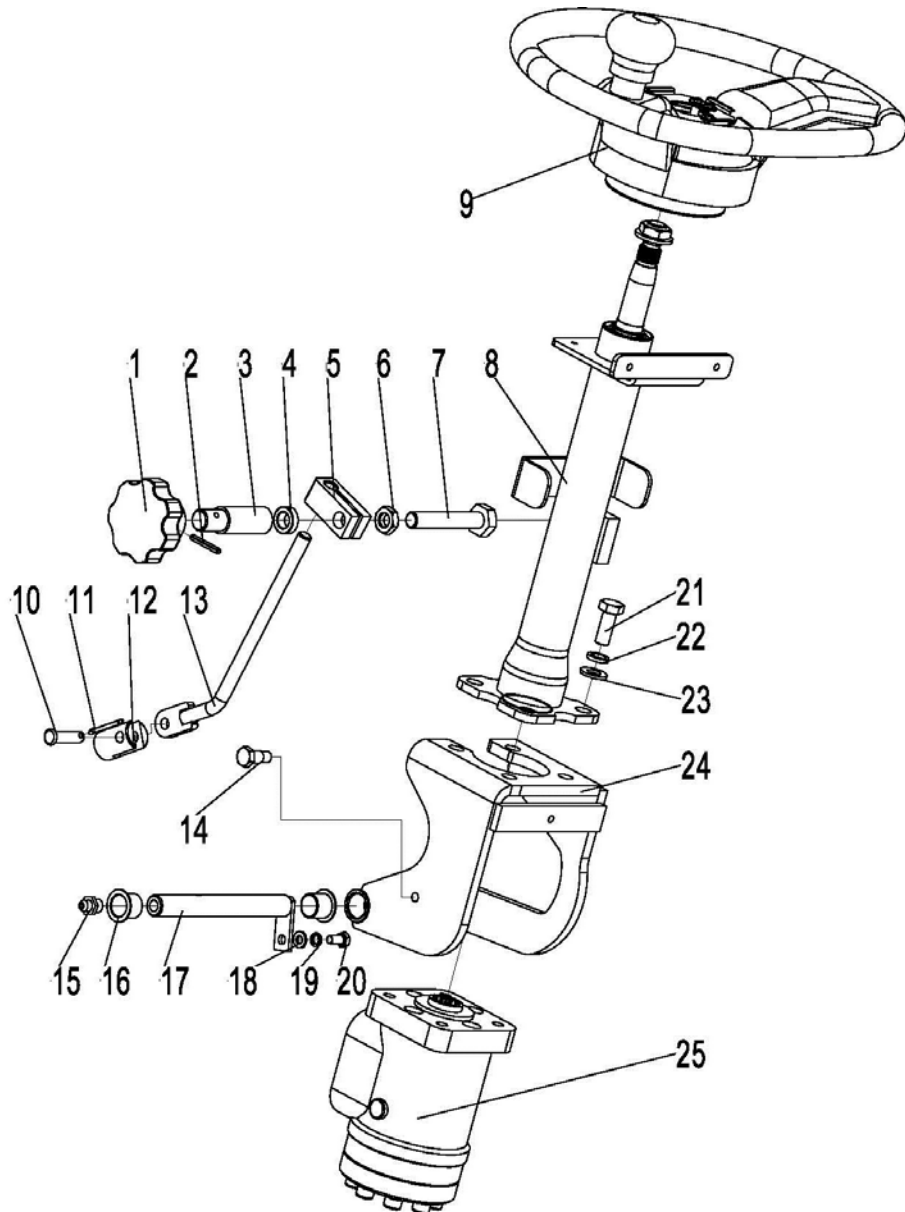


Fig. 19

**Fig. 19      Steering mechanism and installation**

No.	Coding	Description	Qty.	Note
1	255015010007	Adjustable handle	1	
2	910600400015	Dowel pin GB879.1-4x30	1	
3	255015020025	Packing set	1	
4	255015020018	WasherΦ20xΦ12x8	1	
5	255015020019	Latch segment	1	
6	910300300006	Nut GB6172.1-M12-05	1	
7	910100300057	Bolt GB5783-M12x70-8.8	1	
8	255015010001	Steering column	1	
9	255015010003	Steering wheel	1	
10	910600700014	Short axle GB882-6x26x1.6	1	
11	910600600005	Split pin GB91-1.6x10	1	
12	255015020002	Fixed seat	1	
13	255015010005	Adjustable lever	1	
14	255015020021	Screw	1	
15	911200100004	Grease nipple JB7940.1-M10x1	1	
16	940500200016	Bushing Φ16xΦ18x16-SF-1	2	
17	255011510003	Shaft %c16x135	1	
18	910400100005	Washer GB97.1-6-200HV	1	
19	910400500005	Washer GB93-6	1	
20	910100300009	Bolt GB5783-M6x12-8.8	1	
21	910100300036	Bolt GB5783-M10x25-8.8	4	
22	910400500007	Washer GB93-10	4	
23	910400100007	Washer GB97.1-10-200HV	4	
24	255015010004	Support welding	1	
25	255015010002	Steering gear BZZ5-E100BCF-H6	1	

# Foot brake

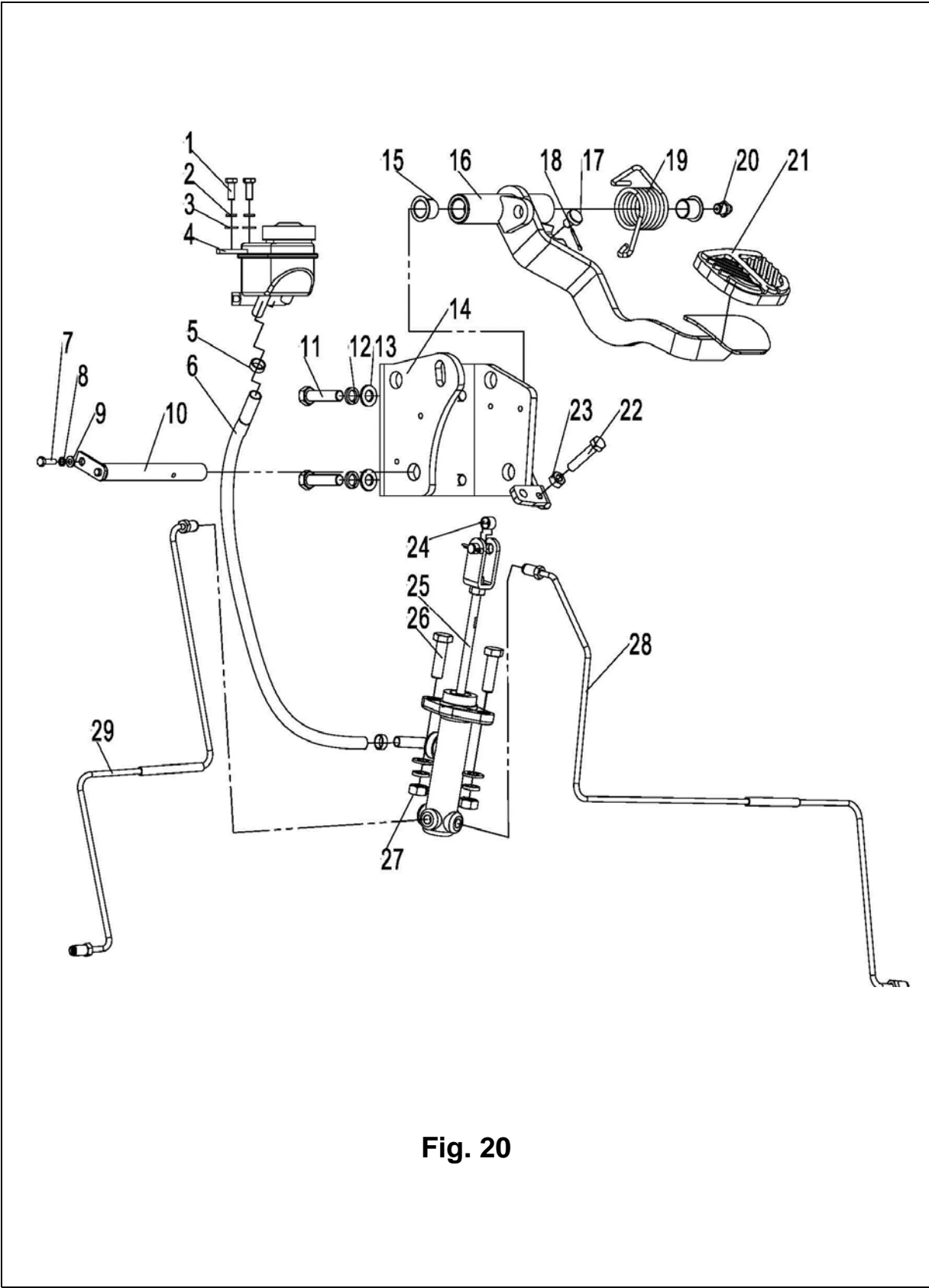


Fig. 20

**Fig. 20****Foot brake**

No.	Coding	Description	Qty.	Note
1	910100300010	Bolt GB5783-M6x16-8.8	2	
2	910400500005	Washer GB93-6	2	
3	910400100005	Washer GB97.1-6-200HV	2	
4	255011510006	Grease nipple	1	
5	911000600001	Hose clamp QC/T390-(11-14)	2	
6	255011520021	Connecting pipe	1	
7	910100300003	Bolt GB5783-M5x12-8.8	1	
8	910400500004	Washer GB93-5	1	
9	910400100004	Washer GB97.1-5-200HV	1	
10	255011510003	Axle $\Phi 16 \times 135$	1	
11	910100300039	Bolt GB5783-M10x40-8.8	4	
12	910400500007	Washer GB93-10	6	
13	910400100007	Washer GB97.1-10-200HV	6	
14	255011510004	Foot brake holder welding	1	
15	940500100006	Bushing $\Phi 16 \times \Phi 18 \times 15$ -SF-1	2	
16	255011510002	Pedal weiding	1	
17	255011520010	Damping pad	1	
18	910600600015	Split pin GB91-2x20	1	
19	255011520008	Spring	1	
20	911200100004	Grease nipple JB7940.1-M10x1	1	
21	255011520013	Pedal (rubber)	1	
22	910100100023	Bolt GB5782-M8x45-8.8	1	
23	910300100006	Nut GB6170-M8-10	1	
24	940500100048	Bushing $\Phi 10 \times \Phi 12 \times 8$ -SF-1	1	
25	255011510001	Brake pump assembly	1	
26	910100300038	Bolt GB5783-M10x35-8.8	2	
27	910300100007	NutGB6170-M10-10	2	
28	255011510009	Hydraulic steel pipe welding 2	1	
29	255011510010	Hydraulic steel pipe welding 1	1	



# Parking brake

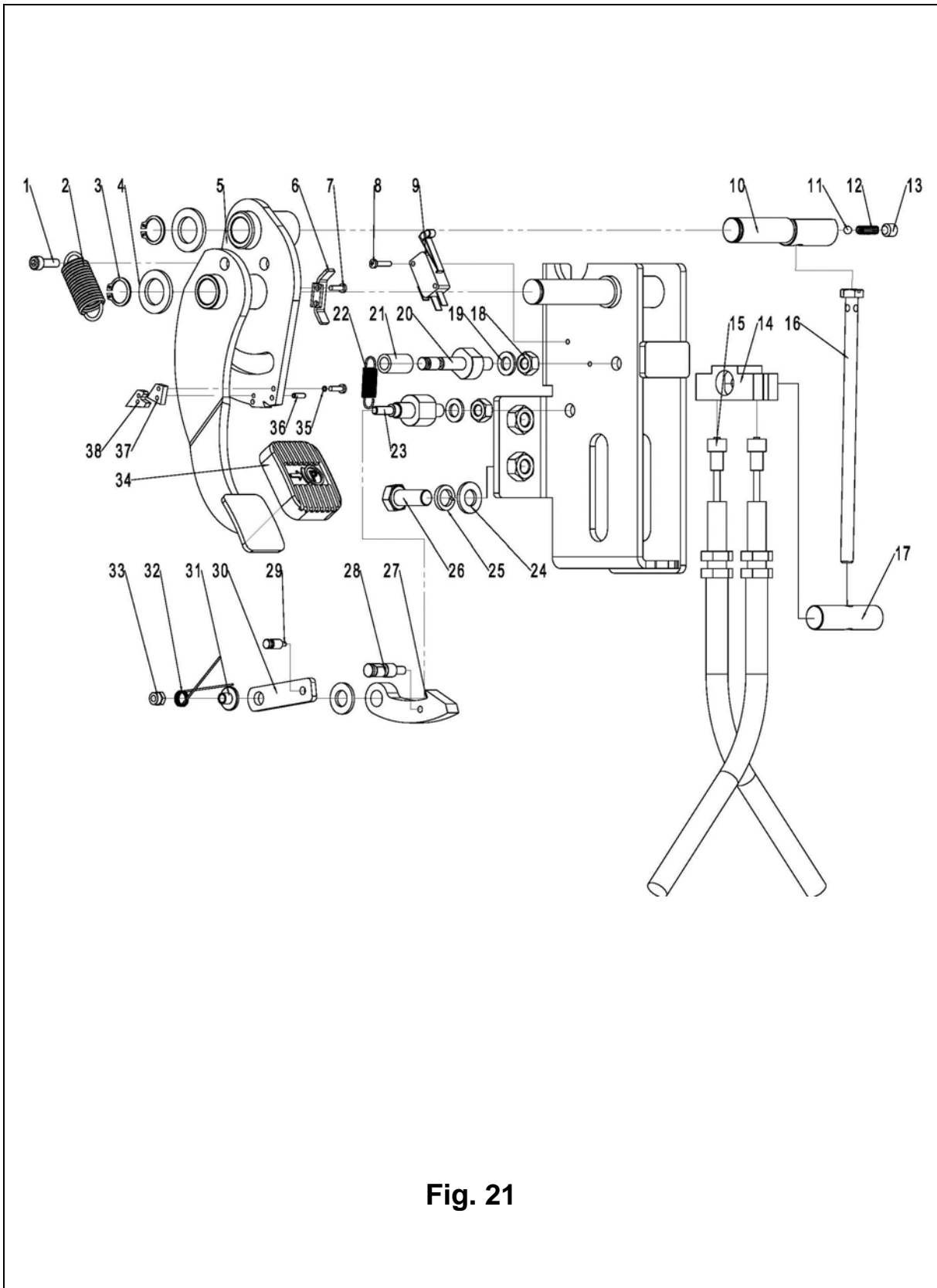


Fig. 21

**Fig. 21** **Parking brake**

No.	Coding	Description	Qty.	Note
A	255012010001	Parking brake assembly		▲ Contains 1-38( notContains15)
1		Screw GB70.1-M5x16-8.8	1	▲
2		Spring 2	1	▲
3		Circlip GB894.1-16	2	▲
4		Washer GB97.1-16-200HV	2	▲
5		Pedal welding	1	▲
6		Baffle	1	▲
7		Screw GB818-M3x8-4.8	5	▲
8		Screw GB818-M3x20-4.8	2	▲
9	920200300009	Micro switch RV-166-1C25	1	
10		Shaft	1	▲
11		Steel ball GB308-5.5	1	▲
12		Spring	1	▲
13		Screw GB77-M8x8-45H	1	▲
14		Assembly seat	1	▲
15		Hand brake wire rope	2	▲
16		M8x170 Bolt	1	▲
17		Axle	1	▲
18		Nut GB6170-M8-10	2	▲
19		Washer GB97.1-8-200HV	2	▲
20		Axle 3	1	▲
21		Polyurethane tube	1	▲
22		Spring 1	1	▲
23		Axle 4	1	▲
24		Washer GB97.1-10-200HV	4	▲
25		Washer GB93-10	3	▲
26		Bolt GB5783-M10x25-8.8	3	▲

# Parking brake

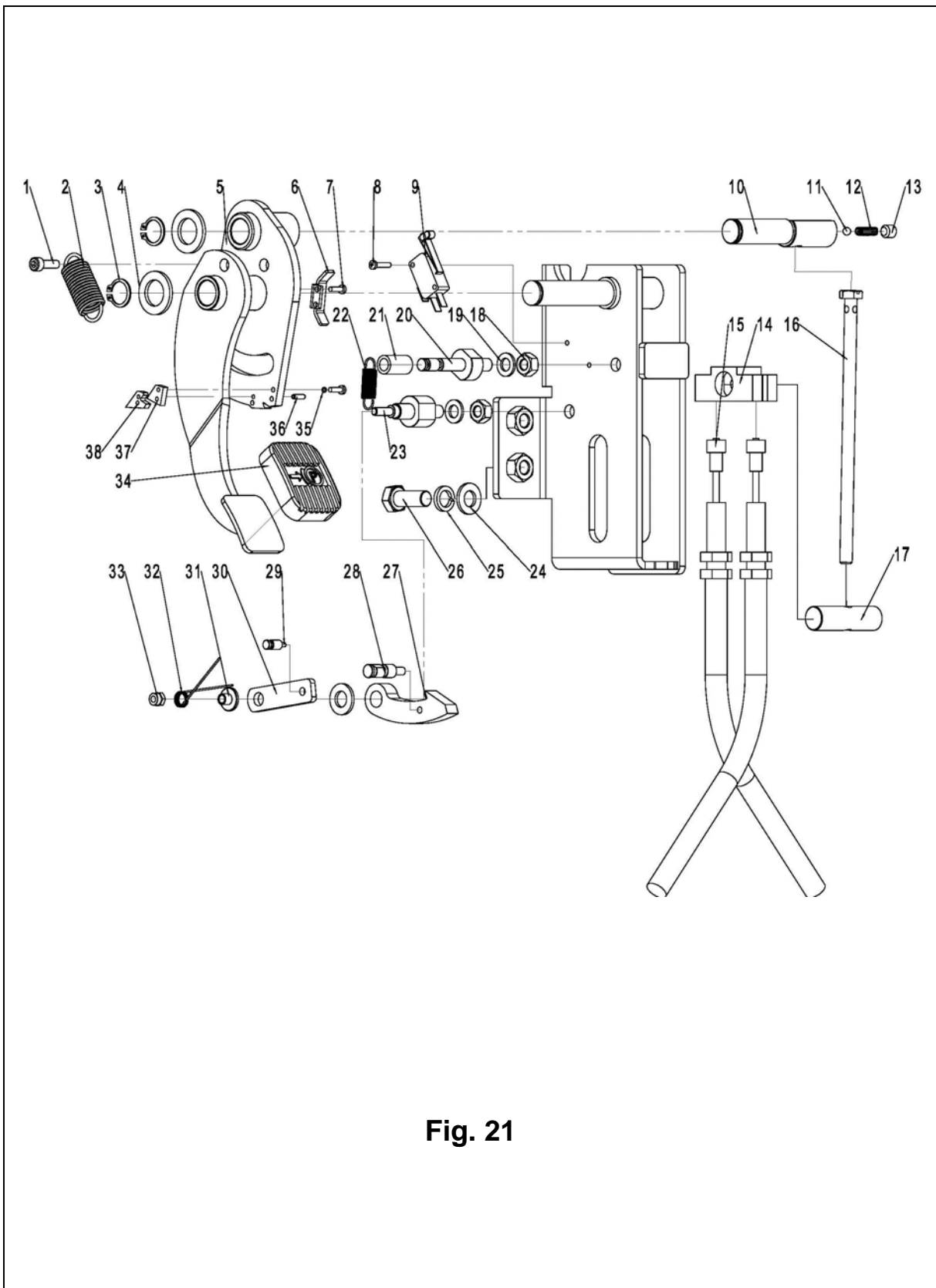


Fig. 21

**Fig. 21** **Parking brake**

---

No.	Coding	Description	Qty.	Note
27		Board 2	1	▲
28		Axle 1	1	▲
29		Axle 2	1	▲
30		Board 1	1	▲
31		Spring seat	1	▲
32		Spring	1	▲
33		Nut GB889.1-M5-10	1	▲
34		Pedal pad	1	▲
35		Washer GB93-3	3	▲
36		Dowel pin GB879.1-2.5x10	1	▲
37		Board 2	1	▲
38		Board 3	1	▲

note: ▲Don't provide spare parts separately

## Overhead guard and installation

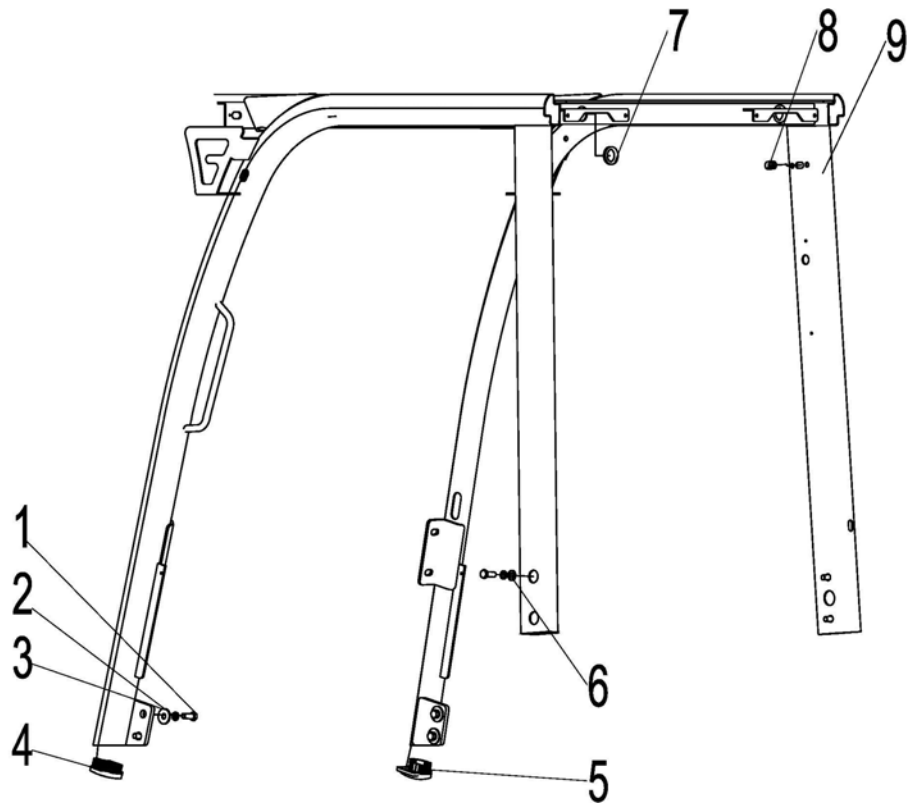


Fig. 22

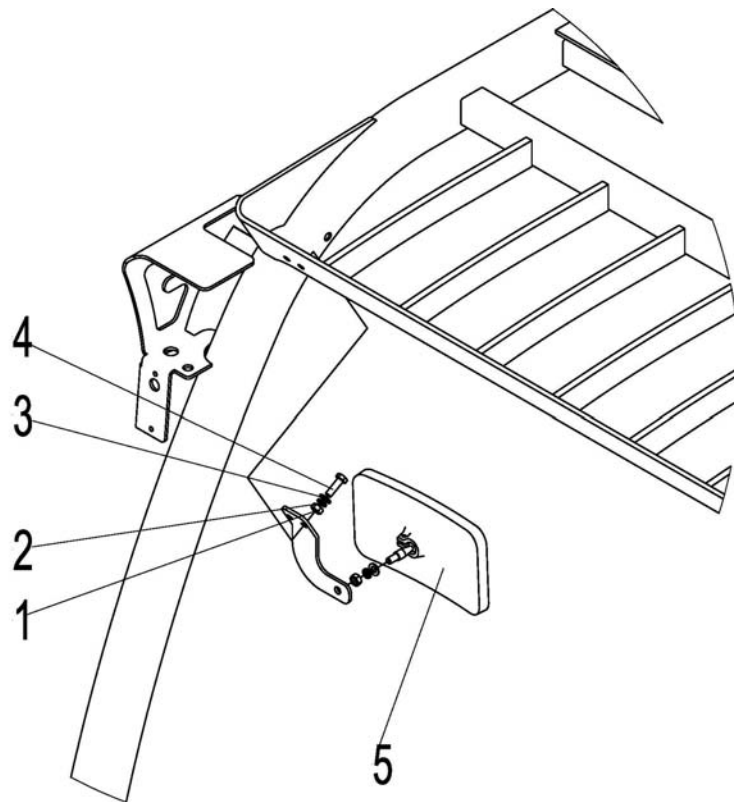
## **Fig. 22      Overhead guard and installation**

---

No.	Coding	Description	Qty.	Note
1	910100300050	Bolt GB5783-M12x30-8.8	8	
2	910400500008	Washer GB93-12	8	
3	910400100008	Washer GB97.1-12-200HV	4	
4	255022020002	Special pipe cover	1	
5	255022020001	Special pipe cover	1	
6	910400200005	Washer GB96.1-12-200HV	4	
7	255022020004	Coil	2	
8	255022020003	Coil	3	
9	255022010001	Overhead guard welding	1	

## Rearview mirror installation

---



**Fig. 23**

## **Fig. 23** Rearview mirror installation

No.	Coding	Description	Qty.	Note
1	910300100006	Nut GB6170-M8-10	4	
2	910400500006	Washer GB93-8	4	
3	910400100006	Washer GB97.1-8-200HV	4	
4	910100300022	Bolt GB5783-M8x20-8.8	4	
5	272049510001	Rearview mirror	2	





**Fig. 24 Steering axle and installation**

No.	Coding	Description	Qty.	Note
A	255016010001	2.5T steering axle	1	
1	255098526001	Steering bridge assembly	1	
2	255098526002	Linking rod	2	
3	255098516003	Steering cylinder assembly	1	
4	255016020001	Anti vibration pad	2	
5	255021520091	Fixing plate	2	
6	255098526004	Left knuckle assembly	1	
7	255098526005	Bearing	2	
8	255098526006	Bearing 943/32	2	
9	255098526007	Pin	2	
10	255098526008	Dowel pin10x20	2	
11	910401300007	Circlip GB894.1-16	8	
12	255098526009	Y seal ring	2	
13	255098526010	Pad	4	
14	910300100008	Nut GB6170-M12-10	12	
15	910400100009	Washer GB97.1-14-200HV	4	
16	255098526011	Bearing 32209	2	
17	255098526012	Bearing 30207	2	
18	255098526013	Nut M30x2	2	
19	910400100016	Washer GB97.1-30-200HV	2	
20	255098526014	Pin 5x65	2	
21	255098526015	Wheel hub cover	2	
22	255098526016	Steering wheel hub	2	
23	255098526017	Pin	2	
24	910300100007	Nut GB6170-M10-10	2	
25	910400100007	Washer GB97.1-10-200HV	2	
26	255098526018	Bushing	2	
27	255098526019	Grease nipple	4	

# Steering axle and installation

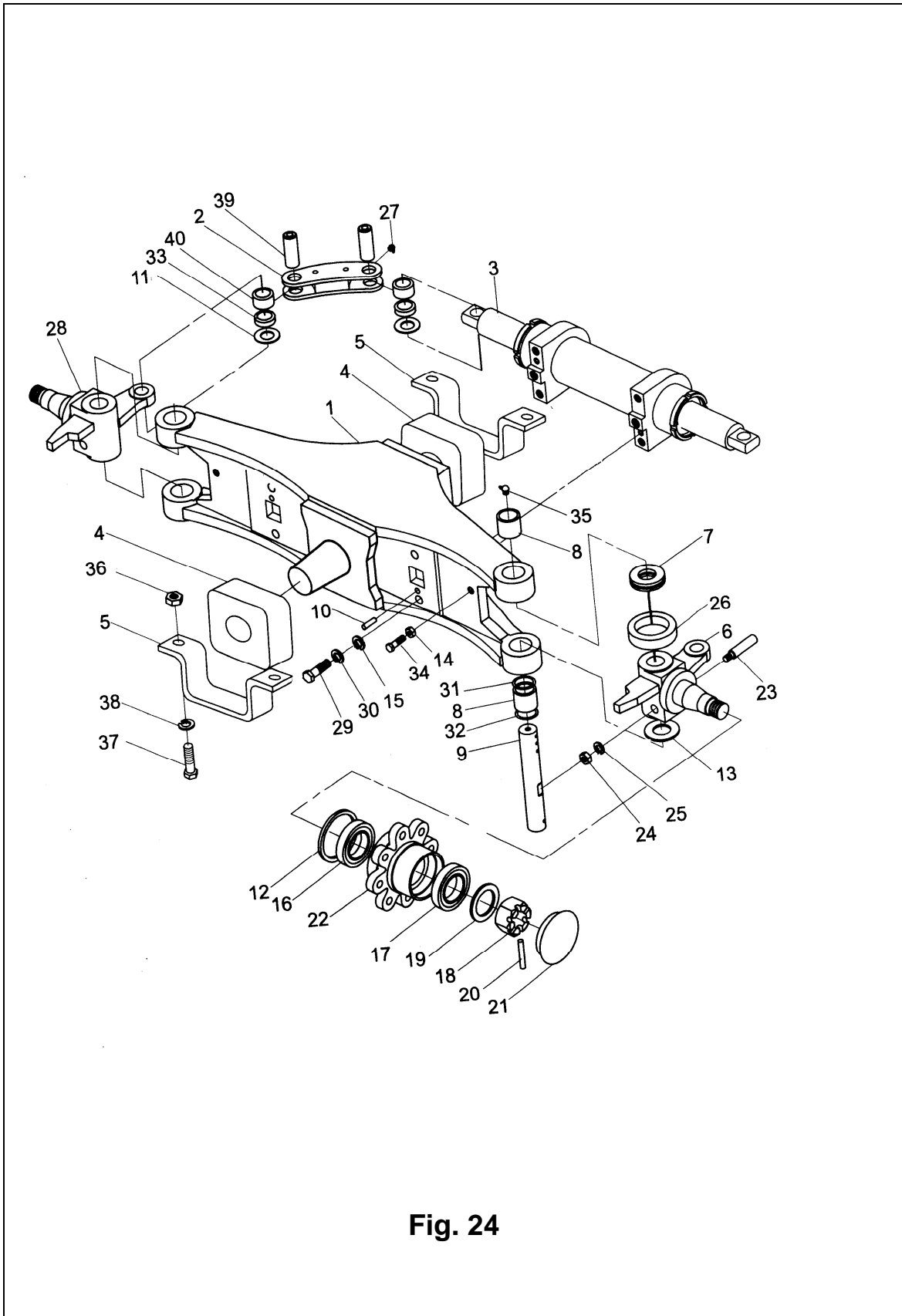


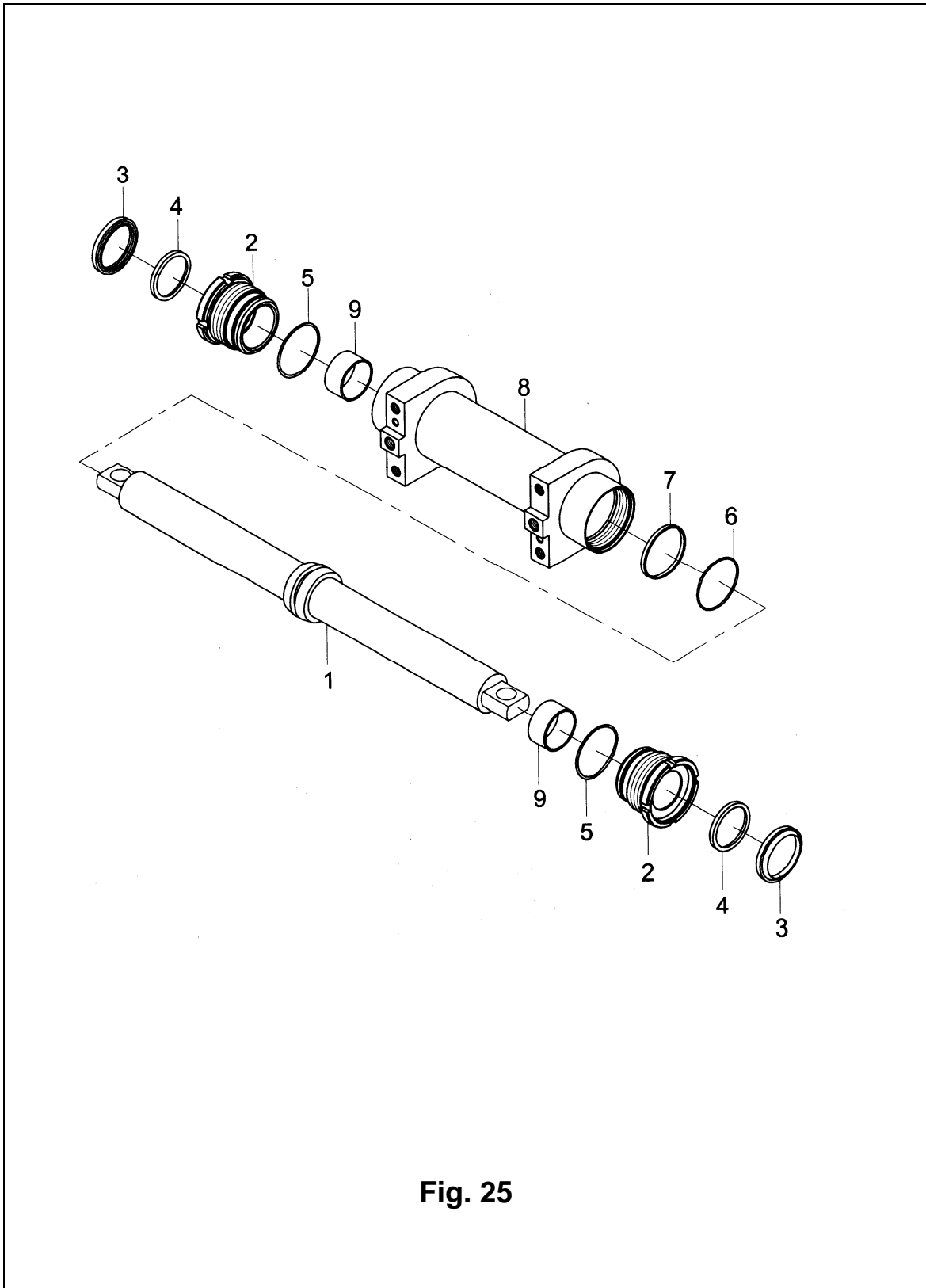
Fig. 24

**Fig. 24**                      **Steering axle and installation**

---

No.	Coding	Description	Qty.	Note
28	255098526020	Right knuckle assembly 1	1	
29	255098526021	Bolt M14x40	4	
30	910400500009	Washer GB93-14	4	
31	255098526022	O ring	2	
32	255098516023	Oil seal	4	
33	255098526024	Bushing $\Phi 24 \times \Phi 27 \times 30$ -SF-1	4	
34	910100300052	Bolt GB5783-M12x40-8.8	2	
35	255098526025	Grease nipple (90°)	2	
36	910300100010	Nut GB6170-M16-10	4	
37	910100300071	Bolt GB5783-M16x45-8.8	4	
38	910400500010	Washer GB93-16	4	
39	255098526026	Linking pin	4	
40	255098526027	ES Bearing	4	

# Steering cylinder



**Fig. 25**

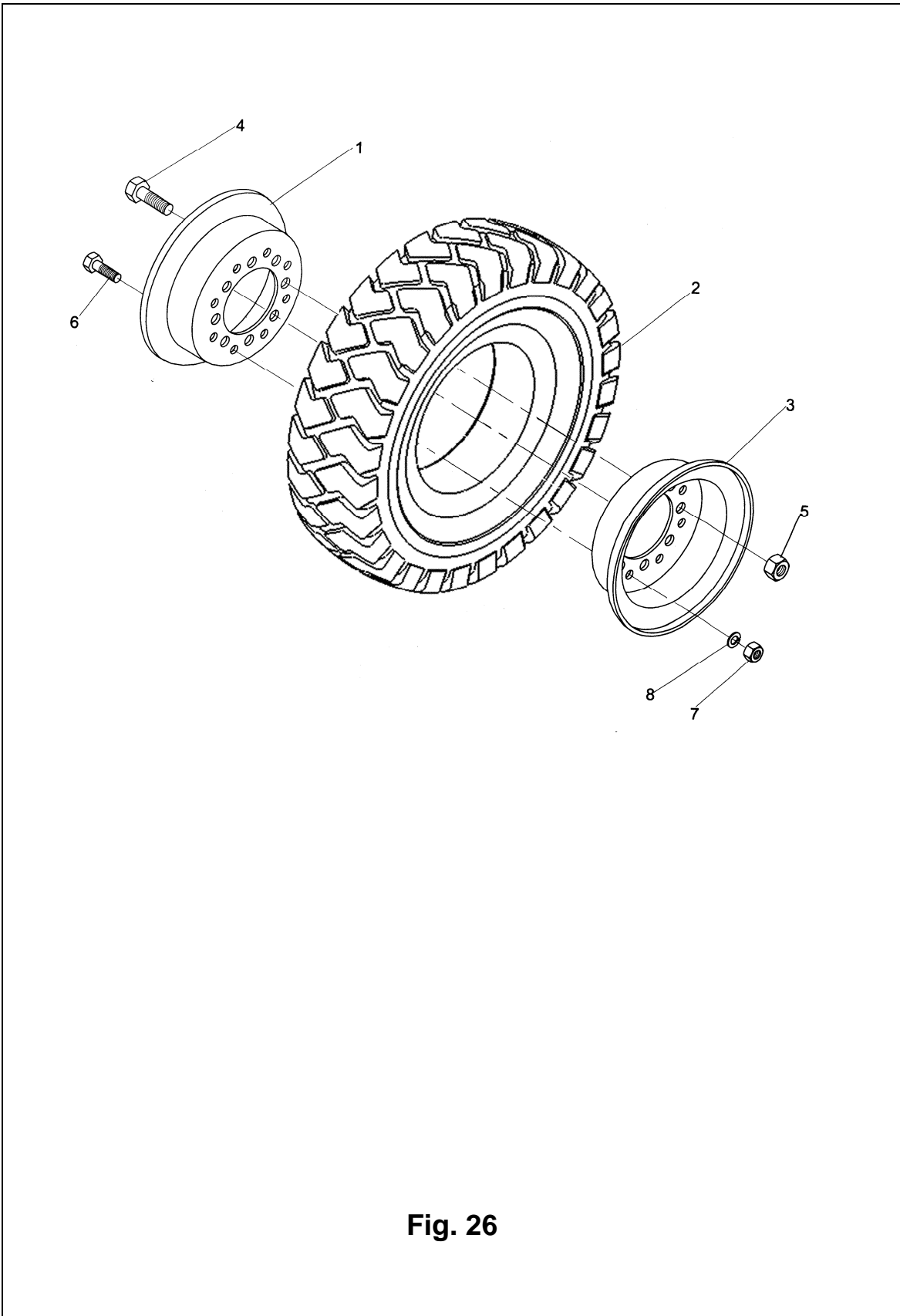
**Fig. 25** **Steering cylinder**

---

No.	Coding	Description	Qty.	Note
A	255098516003	Steering cylinder	1	
B	255098510007	Sealing part maintenance package (steering cylinder)	1	Including 3.4.5.6.7
1		Piston rod assembly	1	▲
2		Cylinder cover	2	▲
3		Dust ring DH50	2	▲
4		U ringUN50	2	▲
5		O ring63×3.55	2	▲
6		O ring60×3.55	1	▲
7		Support ring	1	▲
8		Cylinder assembly	1	▲
9		Bearing	2	▲

Note: Spare parts will not be provided seperately

# Steering wheel assembly



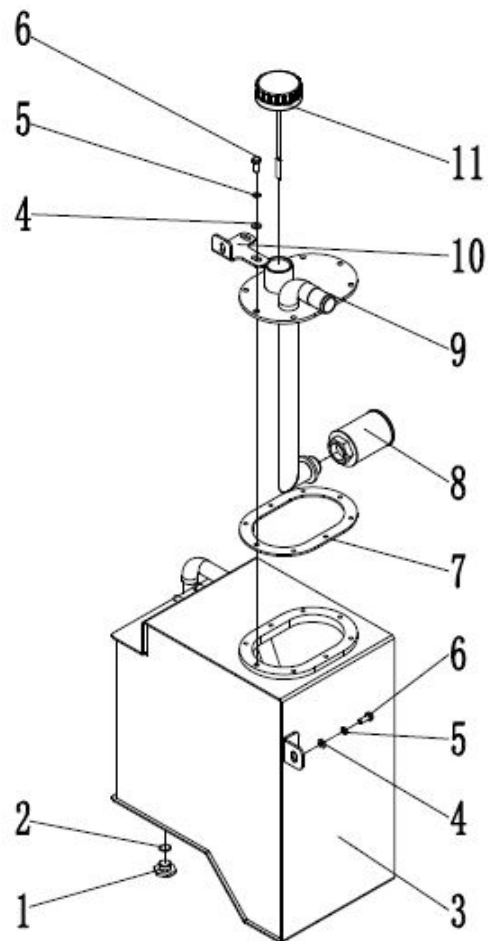
**Fig. 26**

**Fig. 26 Steering wheel assembly**

No.	Coding	Description	Qty.	Note
A	255015510003	Steering wheel assembly 18x7-8-14PR(pneumatic, Chaoyang)	2	Including 1.2.5.8.9.10
	255015510004	Steering wheel assembly 18x7-8(solid, Chaoyang )	2	
	255015510005	Steering wheel assembly 18x7-8(environment protection, Chaoyang )	2	
1	255015520002	Inner rim 4.33R	2	
2	255015510001	Tyre (pneumatic )18x7-8-14PR	2	Optional
	255015510002	Tyre ( solid )18x7-8	2	Optional
	255015510006	Tyre(environment protection )18x7-8	2	Optional
3	255015520001	Inner rim 4.33R	2	
4	255098526040	Rim Bolt	16	
5	255098526041	Rim Nut	16	
6	255013020001	Rim BoltM12x26	16	
7	910300100008	Nut GB6170-M12-10	16	
8	910400500008	Washer GB93-12	16	



## Working cylinder mechanism and installation

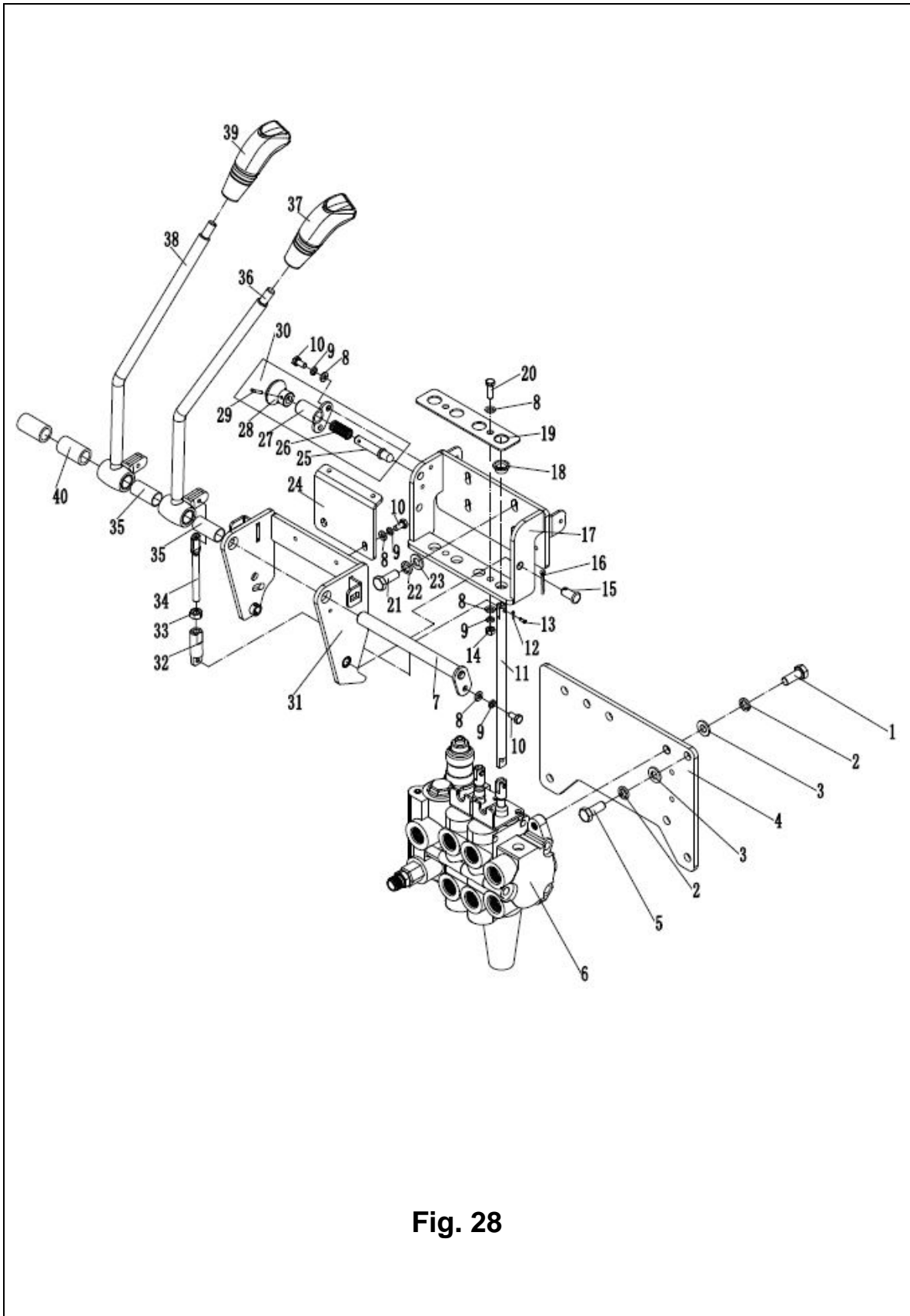


**Fig. 27**

## **Fig. 27 Working cylinder mechanism and installation**

No.	Coding	Description	Qty.	Note
1	255019020015	Drain plug M20x1.5	1	
2	910800900001	Washer JB982-20	1	
3	255019010001	Cylinder welding	1	
4	910400100006	Washer GB97.1-8-200HV	10	
5	910400500006	Washer GB93-8	10	
6	910100300022	Bolt GB5783-M8x20-8.8	10	
7	255019020013	Sealing gasket	1	
8	255019010004	Screen filter WU63×100	1	
9	255019010002	Cover plate welding	1	
10	255019020012	Fixing plate 2	1	
11	255019010003	Oil dipstick assembly	1	

## Multiple directional control valve (bigeminy)



**Fig. 28**

**Fig. 28 Multiple directional control valve (bigeminy)**

No.	Coding	Description	Qty.	Note
1	910100400003	Bolt GB5786-M10x1.25x25-8.8	3	
2	910400500007	Washer GB93-10	6	
3	910400100007	Washer GB97.1-10-200HV	6	
4	255024520024	Supporting plate	1	
5	910100300036	Bolt GB5783-M10x25-8.8	3	
6	255024510007	Multi way valve (four combined)	1	
7	255024510009	Axle $\phi$ 16x168	1	
8	910400100005	Washer GB97.1-6-200HV	9	
9	910400500005	Washer GB93-6	7	
10	910100300009	Bolt GB5783-M6x12-8.8	5	
11	255024520018	Transition rod	3	
12	910600600026	Split pin GB91-3.2x20	6	
13	910600700032	Short axle GB882-10x20c1B	6	
14	910300100005	Nut GB6170-M6-10	2	
15	910600600026	Split pin GB91-3.2x20	2	
16	910600700032	Short axle GB882-10x20c1B	2	
17	255024510002	Fixed seat	1	
18	940500200022	Bushing $\phi$ 12x $\phi$ 14x20-SF-1	2	
19	255024520016	Pressing plate	1	
20	910100300011	Bolt GB5783-M6x20-8.8	2	
21	910100300023	Bolt GB5783-M8x25-8.8	4	
22	910400500006	Washer GB93-8	4	
23	910400100006	Washer GB97.1-8-200HV	4	
24	255024520001	Fixing plate	1	
25	255024520014	Axle $\phi$ 10x60	1	
26	255024520013	Spring	1	
27	255024510003	Axle $\phi$ 18x27.5	1	
28	255024520015	Handle	1	
29	910600400004	Dowel pin GB879.1-3x16	1	

## Multiple directional control valve (bigeminy)

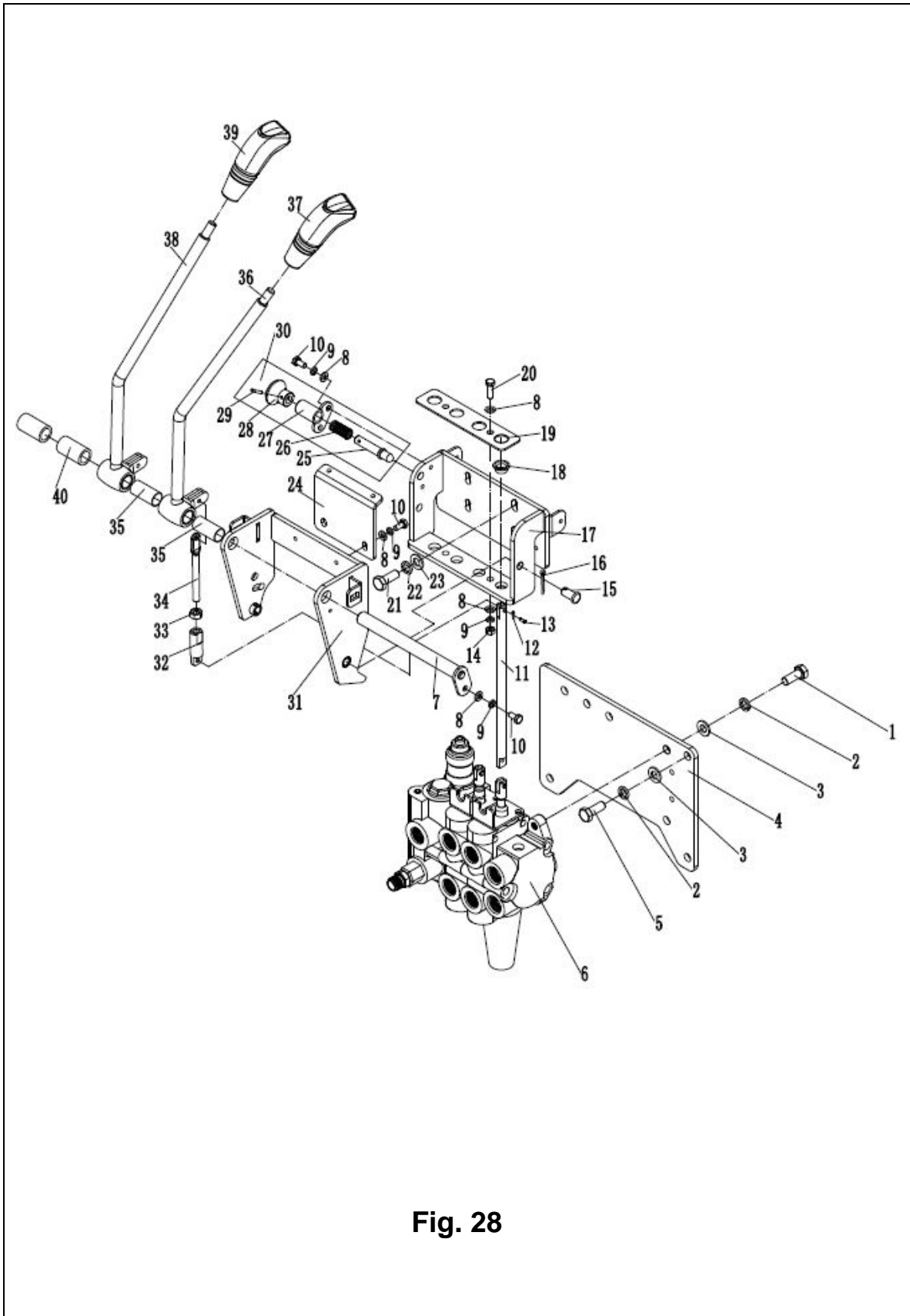


Fig. 28

**Fig. 28 Multiple directional control valve (bigeminy)**

No.	Coding	Description	Qty.	Note
30	255024510006	Handle assembly	1	
31	255024510001	Holder welding	1	
32	250525020008	Joint	2	
33	910300100006	NutGB6170-M8-10	2	
34	255024520017	Connecting rod	2	
35	255024520025	Bearing bushing φ18xφ16x37	2	
36	255024510004	Control lever welding (lifting)	1	
37	255024520022	Handle ball ( lifting )	1	
38	255024510005	Control lever welding ( slope )	1	
39	255024520023	Handle ball (slope)	1	
40	255024520028	Sleeve	2	

# Multiple directional control valve (trigeminy)

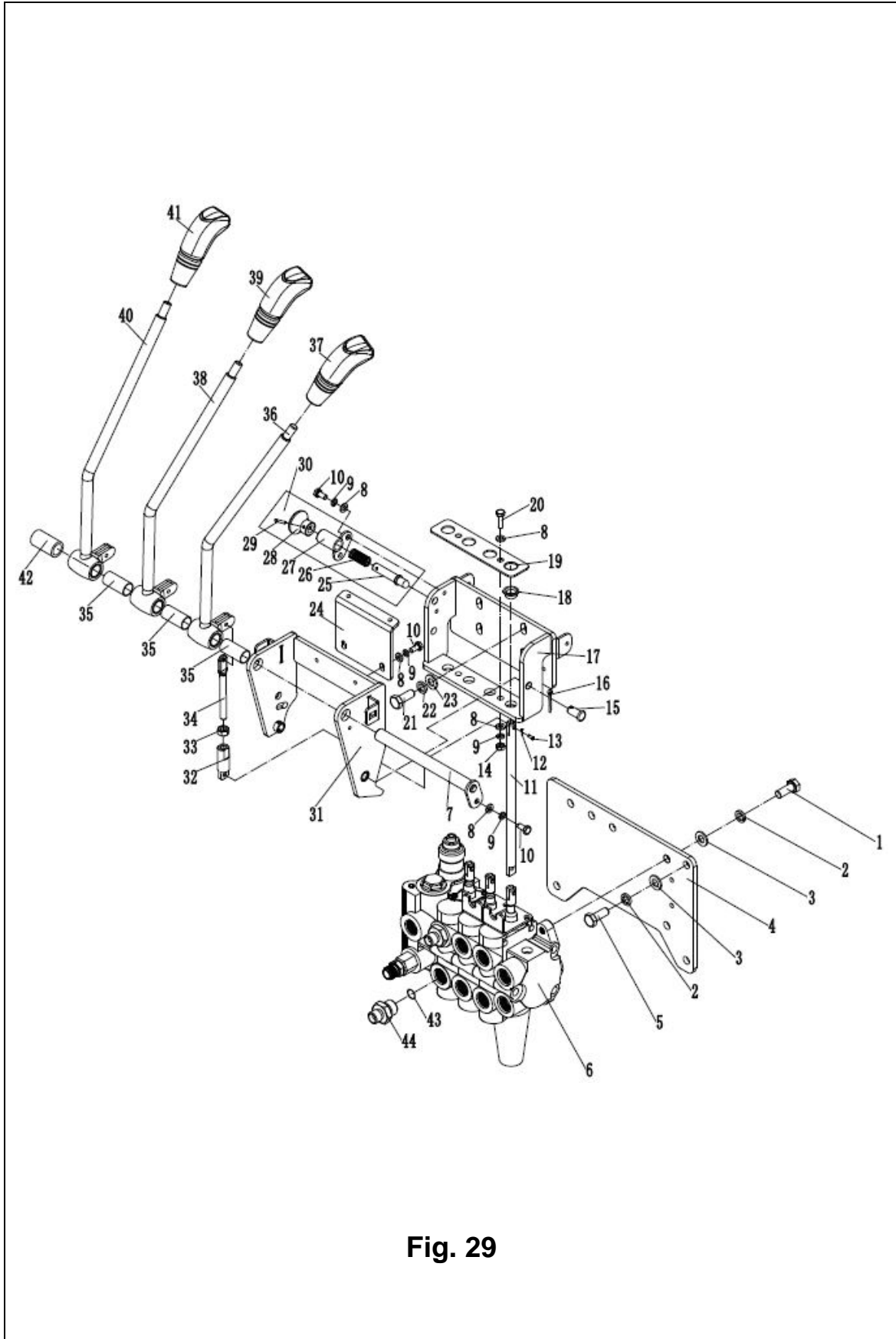


Fig. 29

**Fig. 29 Multiple directional control valve (trigeminy)**

No.	Coding	Description	Qty.	Note
1	910100400003	Bolt GB5786-M10x1.25x25-8.8	3	
2	910400500007	Washer GB93-10	6	
3	910400100007	Washer GB97.1-10-200HV	6	
4	255024520024	Supporting plate	1	
5	910100300036	Bolt GB5783-M10x25-8.8	3	
6	255025010002	Multi way valve (four combined)	1	
7	255024510009	Axle $\phi$ 16x168	1	
8	910400100005	Washer GB97.1-6-200HV	9	
9	910400500005	Washer GB93-6	7	
10	910100300009	Bolt GB5783-M6x12-8.8	5	
11	255024520018	Transition rod	3	
12	910600600026	Split pin GB91-3.2x20	9	
13	910600700032	Short axle GB882-10x20c1B	9	
14	910300100005	Nut GB6170-M6-10	2	
15	910600600026	Split pin GB91-3.2x20	2	
16	910600700032	Short axleGB882-10x20c1B	2	
17	255024510002	Fixing seat	1	
18	940500200022	Bushing $\phi$ 12x $\phi$ 14x20-SF-1	3	
19	255024520016	Pressing plate	1	
20	910100300011	Bolt GB5783-M6x20-8.8	2	
21	910100300023	Bolt GB5783-M8x25-8.8	4	
22	910400500006	Washer GB93-8	4	
23	910400100006	Washer GB97.1-8-200HV	4	
24	255024520001	Fixing plate	1	
25	255024520014	Axle $\phi$ 10x60	1	
26	255024520013	Spring	1	
27	255024510003	Axle $\phi$ 18x27.5	1	
28	255024520015	Handle	1	
29	910600400004	Dowel pin GB879.1-3x16	1	



# Multiple directional control valve (trigeminy)

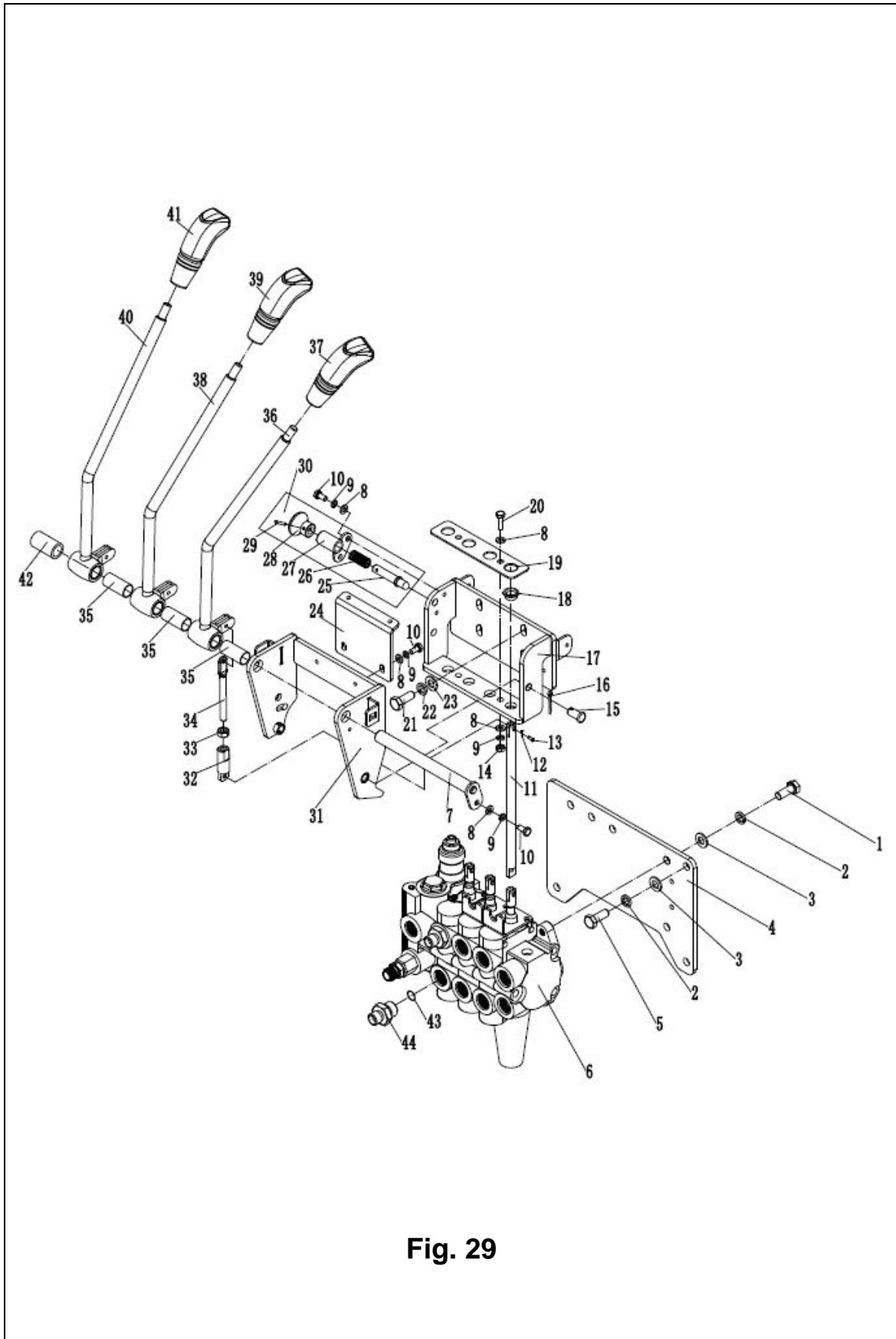


Fig. 29

**Fig. 29 Multiple directional control valve (trigeminy)**

No.	Coding	Description	Qty.	Note
30	255024510006	Handle assembly	1	
31	255024510001	Frame welding	1	
32	250525020008	Joint	3	
33	910300100006	Nut GB6170-M8-10	3	
34	255024520017	Linking rod	3	
35	255024520025	Bearing $\phi 18 \times \phi 16 \times 37$	3	
36	255024510004	Control lever welding (lifting)	1	
37	255024520022	Handle ball ( lifting )	1	
38	255024510005	Control lever welding (slope)	1	
39	255024520023	Handle ball(slope)	1	
40	255025010001	Control lever welding ( accessory 1)	1	
41	255025020002	Handle ball (accessory 1)	1	
42	255024520028	Sleeve	1	
43	910800100003	O ring 17x2.65	2	
44	255023520033	Joint8-M20x1.5-M16x1.5-60°	2	

# Multiple directional control valve(four joint)

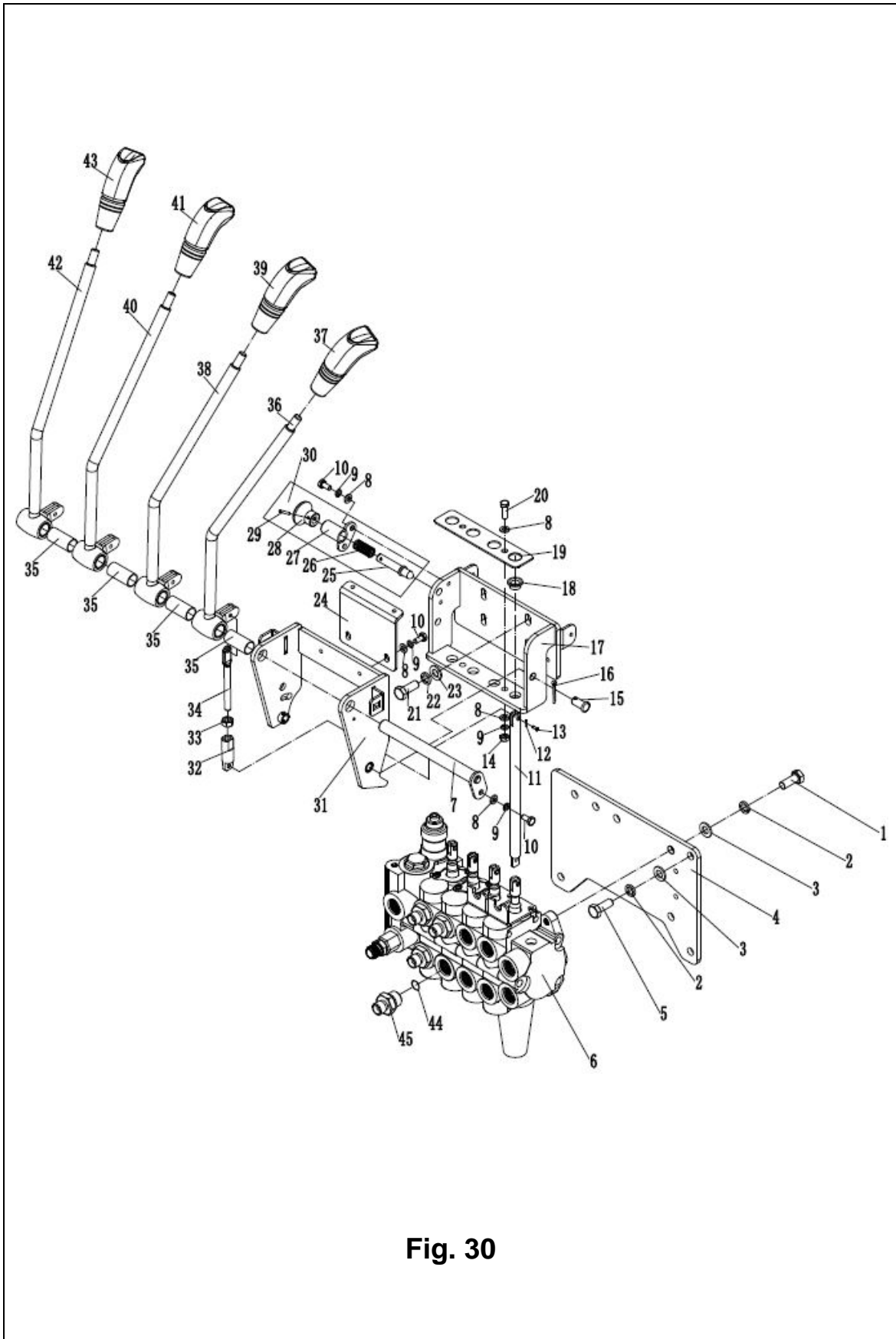


Fig. 30

**Fig. 30 Multiple directional control valve(four joint)**

No.	Coding	Description	Qty.	Note
1	910100400003	Bolt GB5786-M10x1.25x25-8.8	3	
2	910400500007	Washer GB93-10	6	
3	910400100007	Washer GB97.1-10-200HV	6	
4	255024520024	Supporting plate	1	
5	910100300036	Bolt GB5783-M10x25-8.8	3	
6	255025510002	Multi way valve (four combined)	1	
7	255024510009	Axle $\phi$ 16x168	1	
8	910400100005	Washer GB97.1-6-200HV	9	
9	910400500005	Washer GB93-6	7	
10	910100300009	Bolt GB5783-M6x12-8.8	5	
11	255024520018	Transition rod	4	
12	910600600026	split pin GB91-3.2x20	12	
13	910600700032	Short axle GB882-10x20c1B	12	
14	910300100005	Nut GB6170-M6-10	2	
15	910600600026	split pin GB91-3.2x20	2	
16	910600700032	Short axle GB882-10x20c1B	2	
17	255024510002	Fixing seat	1	
18	940500200022	Bushing $\phi$ 12x $\phi$ 14x20-SF-1	4	
19	255024520016	Pressing plate	1	
20	910100300011	Bolt GB5783-M6x20-8.8	2	
21	910100300023	Bolt GB5783-M8x25-8.8	4	
22	910400500006	Washer GB93-8	4	
23	910400100006	Washer GB97.1-8-200HV	4	
24	255024520001	Fixing plate	1	
25	255024520014	Axle $\phi$ 10x60	1	
26	255024520013	Spring	1	
27	255024510003	Axle $\phi$ 18x27.5	1	
28	255024520015	Handle	1	
29	910600400004	Dowel pin GB879.1-3x16	1	

# Multiple directional control valve(four joint)

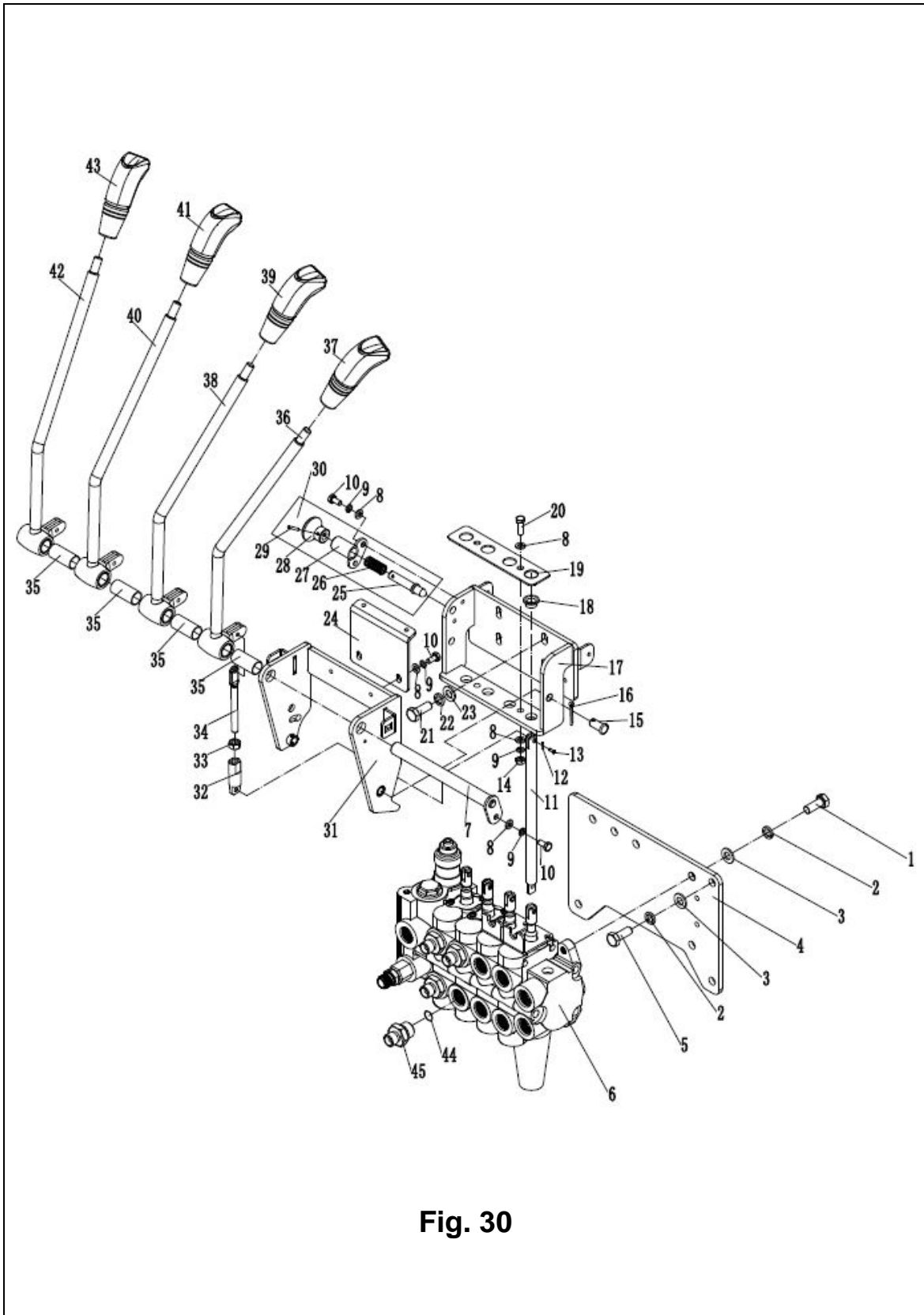


Fig. 30

**Fig. 30 Multiple directional control valve(four joint)**

No.	Coding	Description	Qty.	Note
30	255024510006	Handle assembly	1	
31	255024510001	Frame assembly	1	
32	250525020008	Joint	4	
33	910300100006	Nut GB6170-M8-10	4	
34	255024520017	Connecting rod	4	
35	255024520025	Bearing bushing $\phi 18 \times \phi 16 \times 37$	4	
36	255024510004	Control lever welding(lifting )	1	
37	255024520022	Handle ball(lifting)	1	
38	255024510005	Control lever welding(slope )	1	
39	255024520023	Handle ball (slope)	1	
40	255025010001	Control lever welding(accessory 1)	1	
41	255025020002	Handle ball( accessory 1)		
42	255025510001	Control lever welding ( accessory 2)	1	
43	255025520002	Handle ball (accessory 2)	1	
44	910800100003	Oring 17x2.65	4	
45	255023520033	Joint 8-M20x1.5-M16x1.5-60°	4	

# Hydraulic system

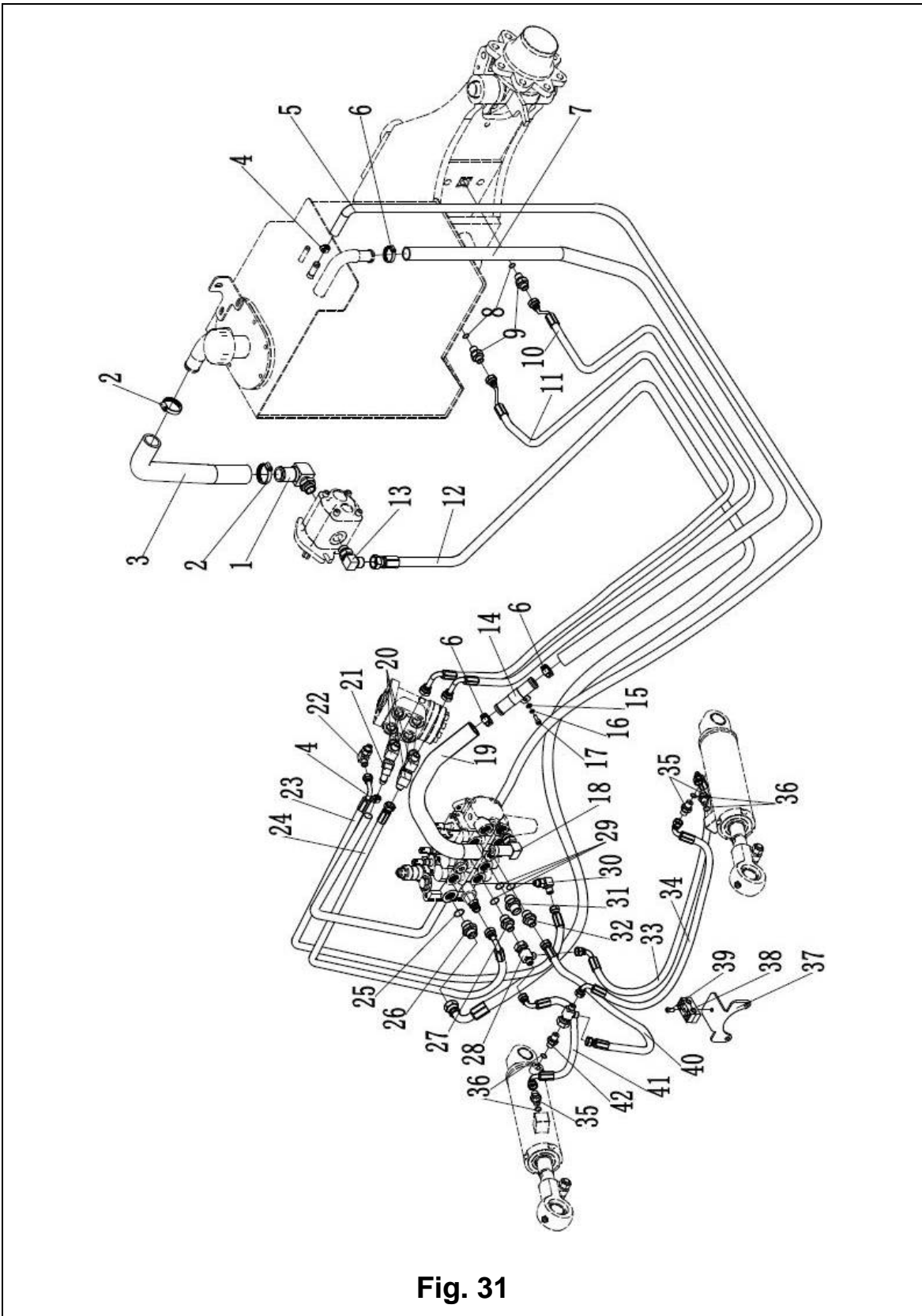


Fig. 31

**Fig. 31** Hydraulic system

No.	Coding	Description	Qty.	Note
1	255023510005	Joint 25-G1-φ32	1	
2	911000600006	Hose clamp QC/T390-(40-45)	2	
3	255023520008	Rubber hose	1	
4	911000600003	Hose clamp QC/T390-(22-26)	2	
5	255023520006	Oil return hose φ23xφ13x3600	1	
6	911000600004	Hose clamp QC/T390-(34-38)	4	
7	255023520013	Oil return hose φ35xφ25x1900	1	
8	910800100002	Oring 13.2x2.65	2	
9	255023520034	Joint 8-2xM16x1.5-60°	2	
10	255023520002	Hydraulic hose assembly 8-L2700-1SC-60°	1	
11	255023520001	Hydraulic hose assembly 8-L3000-1SC-60°	1	
12	255023520004	Hydraulic hose assembly (90°)13-L2750-2SC-60°	1	
13	255023520035	Joint12-G1/2-M22x1.5-60°	1	
14	255023520022	Transition steel pipe	1	
15	910400100005	Washer GB97.1-6-200HV	2	
16	910400500005	Washer GB93-6	2	
17	910200200036	Screw GB70.1-M6x20-8.8	2	
18	255023510002	Joint 16-M22x1.5-φ25	1	
19	255023520021	Rubber tube	1	
20	255023510007	Joint 8-M18x1.5-M16x1.5-60°	3	
21	255023520033	Joint 11-M18x1.5-0	1	
22	255023510003	Joint 6-G1/4-M14x1.5-60°	1	
23	255023520003	Hydraulic hose assembly (90°)6-L1420-1SC-60°	1	
24	255023520005	Hydraulic hose assembly (90°)8-L1420-1SC-60°	1	
25	910800100015	Oring 19x2.65	1	
26	255023520030	Joint 12-2xM22x1.5-60°	1	



# Hydraulic system

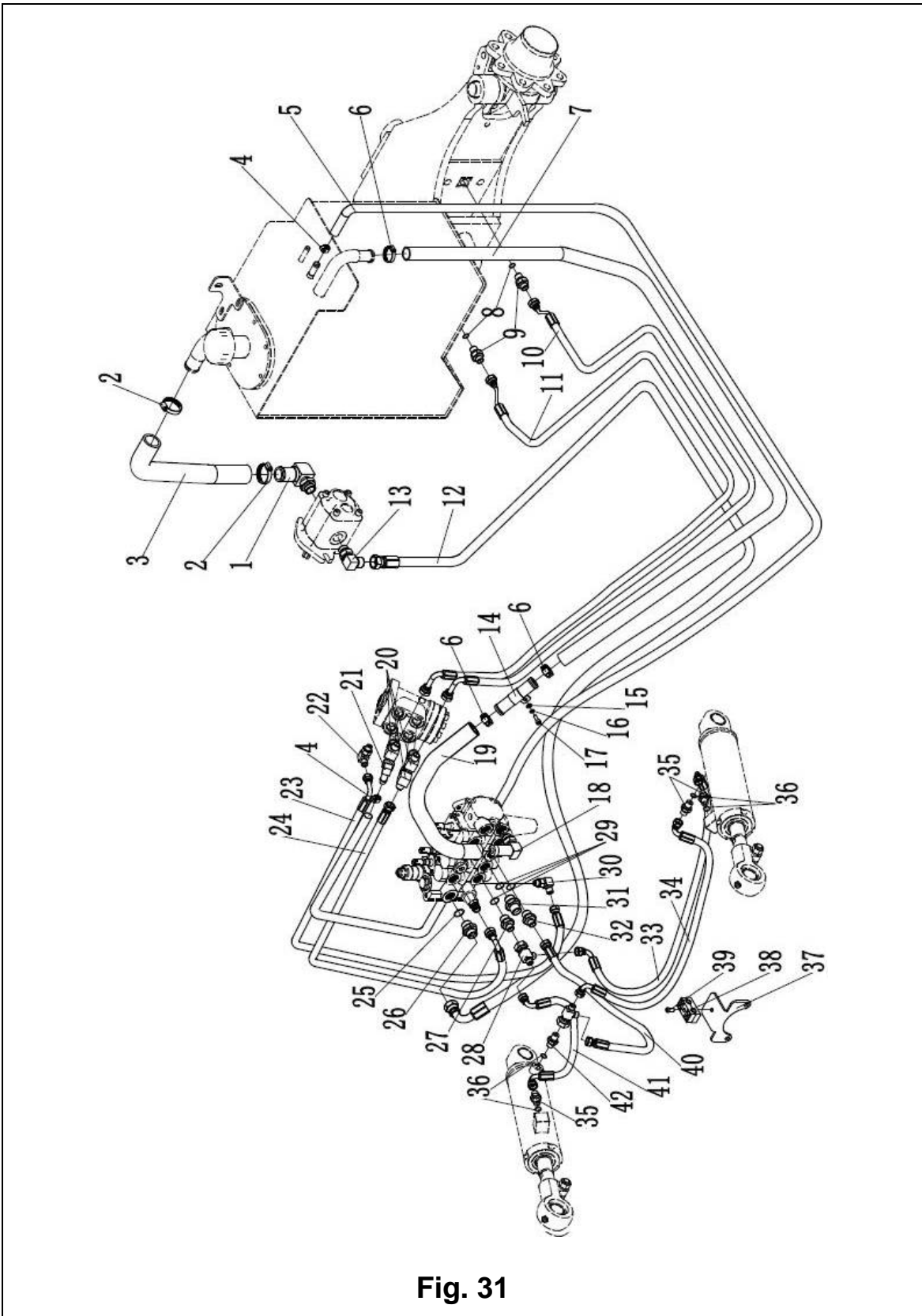


Fig. 31

**Fig. 31** Hydraulic system

No.	Coding	Description	Qty.	Note
27	255023520033	Joint 8-M20x1.5-M16x1.5-60°	1	
28	250523510001	Joint 7-2xM14x1.5-M16x1.5-60°	2	
29	910800100003	Oring 17x2.65	3	
30	255023510001	Joint 6-M12x1.5-M14x1.5-60°	1	
31	255044020122	Joint 12-M20x1.5-M22x1.5-60°	1	
32	255023520032	Joint 6-M20x1.5-M14x1.5-60°	1	
33	255023520017	Hydraulic hose assembly 6-L1000-1SC-60°	1	
34	255023520018	Hydraulic hose assembly 6-L1100-1SC-60°	1	
35	255023520007	Joint 6-G1/4—M14x1.5-60°	3	
36	910800100021	Oring 11.2x2.65	4	
37	255023520027	Rubber hose fixing block	1	
38	255028520034	Rubber hose fixing block	2	
39	910200200060	Screw GB70.1-M8x35-8.8	1	
40	255023520012	Hydraulic hose assembly 6-L500-1SC-60°	1	
41	255023520016	Hydraulic hose assembly 6-L600-1SC-60°	1	
42	255023520019	Joint 8-G1/4-M16x1.5-60°	1	

## Mast lifting pipeline (standard mast)

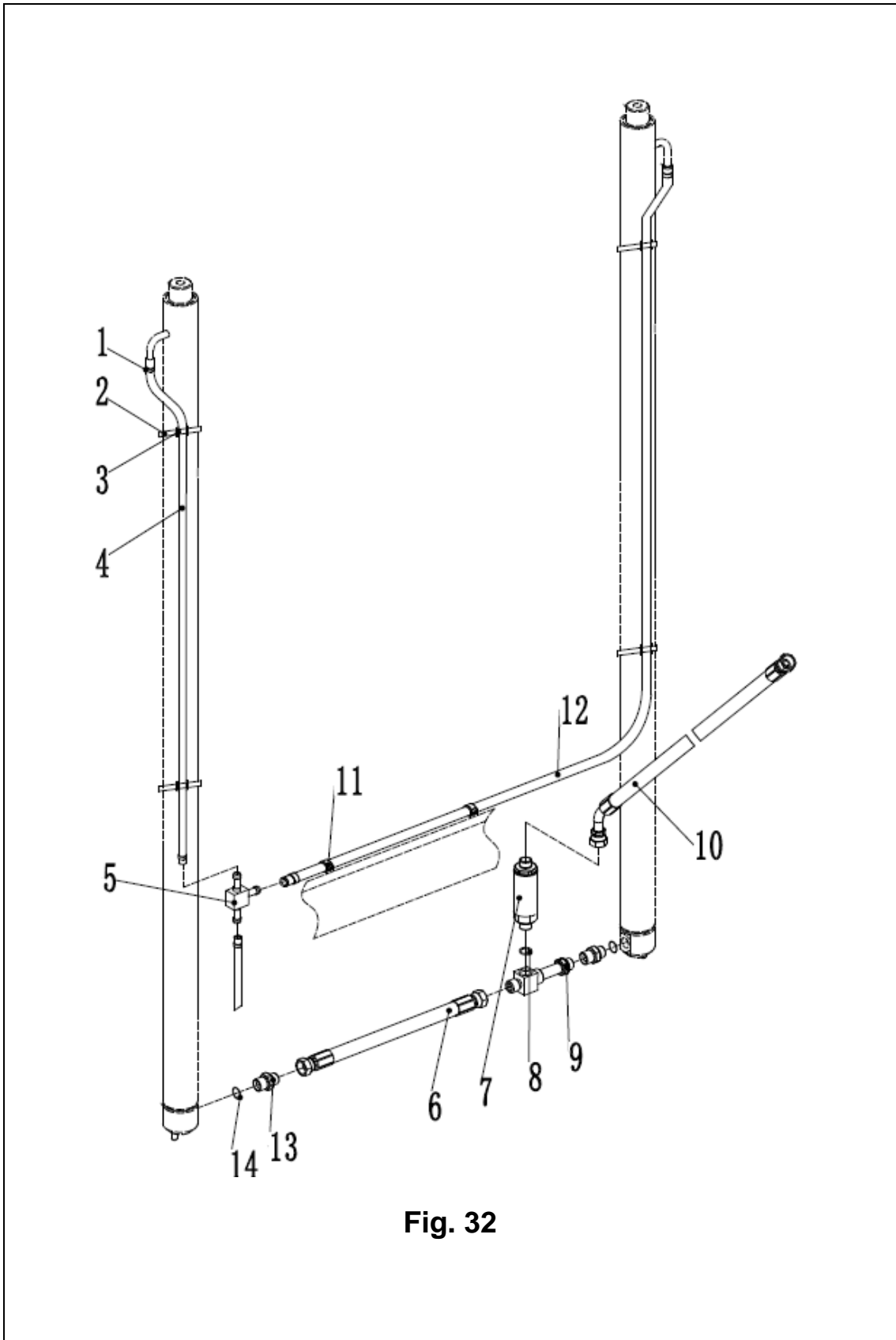


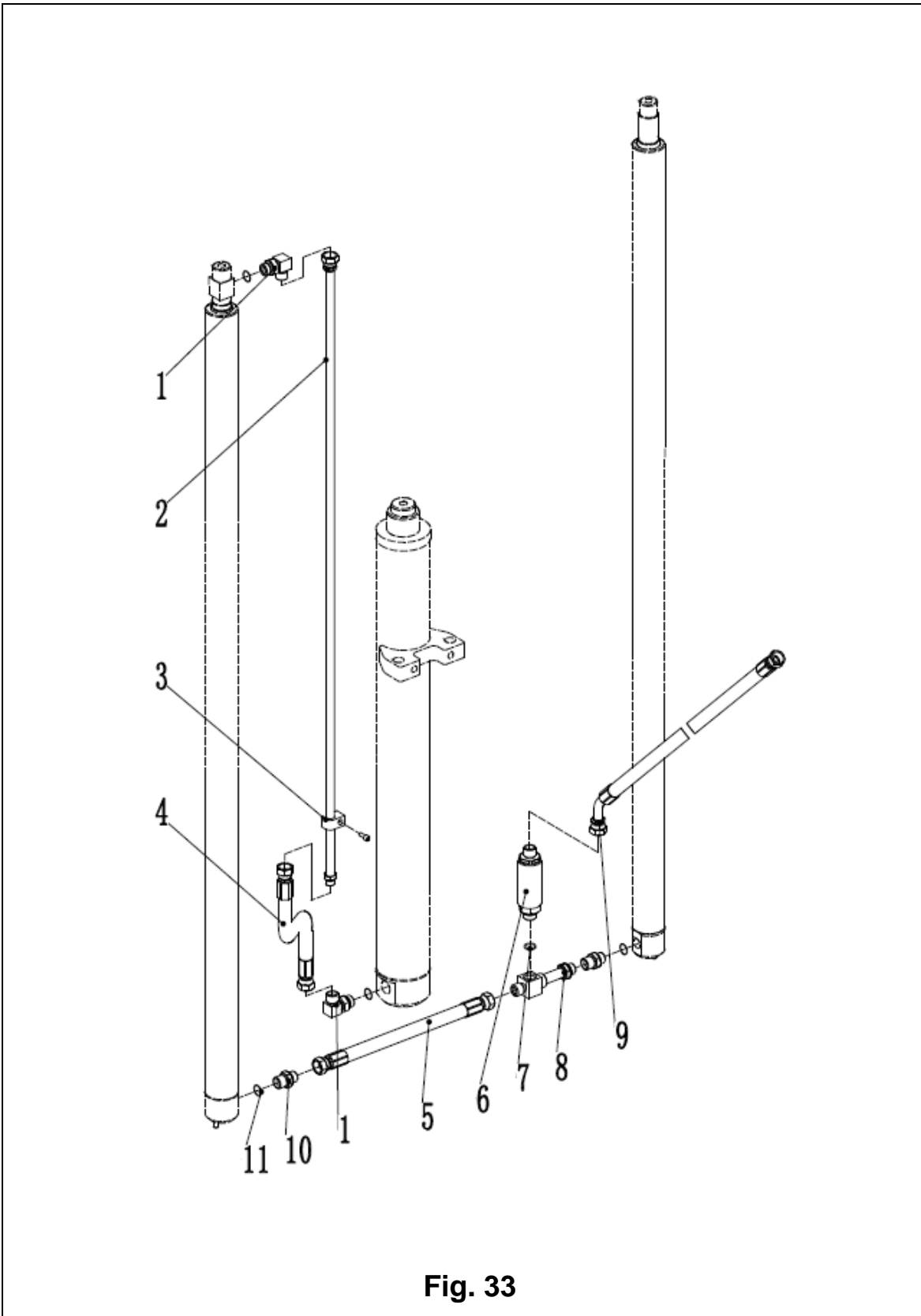
Fig. 32

**Fig. 32 Mast lifting pipeline (standard mast)**

No.	Coding	Description	Qty.	Note
1	255044020043	Hoop	1	
2	921600400001	Strip 4x250	1	
3	255044020042	Press plate	1	
4		Oil return hose1L=620	2	▲
		Oil return hose1L=870	2	▲
		Oil return hose1L=1120	2	▲
		Oil return hose1L=1270	2	▲
		Oil return hose1L=1370	2	▲
		Oil return hose1L=1420	2	▲
		Oil return hose1L=1470	2	▲
		Oil return hose1L=1620	2	▲
		Oil return hose1L=1770	2	▲
		Oil return hose1L=1920	2	▲
		Oil return hose1L=2120	2	▲
	Oil return hose1L=2370	2	▲	
	Oil return hose1L=2620	2	▲	
5	255044020118	Joint	1	
6	255044020119	Hydraulic hose assembly 13-L395-2SC-60°	1	
7	255044020015	Speed limit valve XSF-F16L-2T	1	
8	910800100003	Oring 17x2.65	1	
9	255044010040	Joint	1	
10	255044020013	Hose	1	
11	921600400003	Strip P-N156-00646	2	
12		Oil return hose2	1	▲
13	910800100003	Oring 17x2.65	3	
14	255044020122	Joint 12-M20x1.5-M22x1.5-60°	2	

Note: ▲ spare parts will not be provided separately

**Mast lifting pipeline(two stage full free lift)**



**Fig. 33**

**Fig. 33 Mast lifting pipeline(two stage full free lift)**

No.	Coding	Description	Qty.	Note
1	255044020143	Joint 12-M20x1.5-M22x1.5-60°	2	
2	255043520009	Hydraulic steel pipe L=760	1	
	255043520010	Hydraulic steel pipe L=1010	1	
	255043520011	Hydraulic steel pipe L=1300	1	
	255043520012	Hydraulic steel pipe L=1460	1	
	255043520013	Hydraulic steel pipe L=1610	1	
	255043520013	Hydraulic steel pipe L=1610	1	
	255043520013	Hydraulic steel pipe L=1610	1	
	255043520014	Hydraulic steel pipe L=1850	1	
	255043520015	Hydraulic steel pipe L=2010	1	
	255043520016	Hydraulic steel pipe L=2110	1	
	255043520017	Hydraulic steel pipe L=2360	1	
	255043520018	Hydraulic steel pipe L=2710	1	
	255043520019	Hydraulic steel pipe L=2960	1	
3	255044520132	Hose clamp	1	
4	255043520008	Hydraulic hose	1	
5	255044020119	Hydraulic hose assembly 13-L395-2SC-60°	1	
6	255044020015	Speed limit valve XSF-F16L-2T	1	
7	910800100004	Oring 18x2.65	1	
8	255044010040	Joint	1	
9	255044020013	Hose	1	
10	255044020122	Joint20-22	1	
11	910800100003	Oring 17x2.65	3	

# Mast lifting pipeline(three stage full free lift)

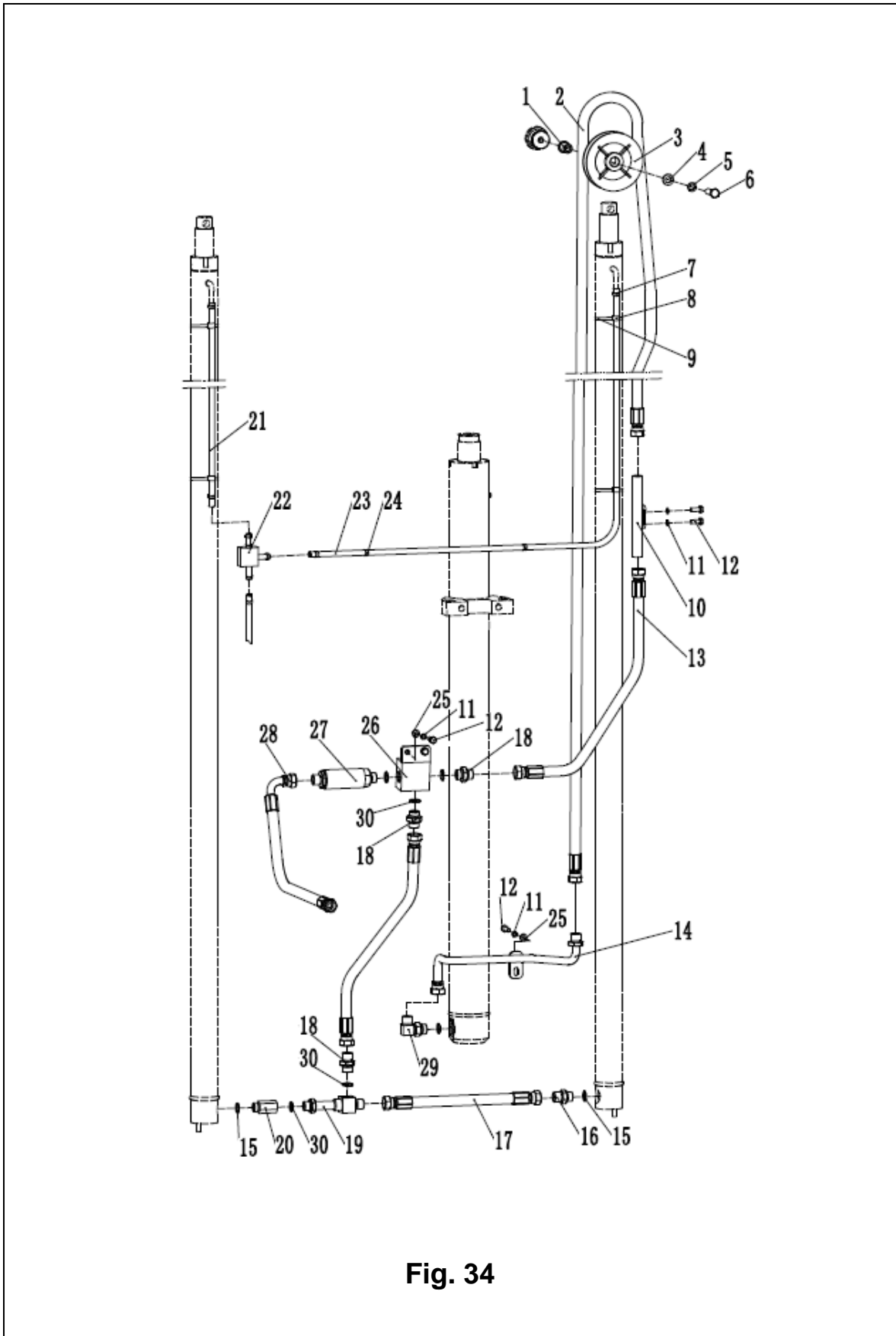


Fig. 34

**Fig. 34 Mast lifting pipeline(three stage full free lift)**

No.	Coding	Description	Qty.	Note
1	255044520081	Bushing	1	
2	255044520071	Hydraulic hose assembly 13-L2180-2CS-60°	1	
	255044520072	Hydraulic hose assembly 13-L2480-2CS-60°	1	
	255044520073	Hydraulic hose assembly 13-L2530-2CS-60°	1	
	255044520074	Hydraulic hose assembly 13-L2730-2CS-60°	1	
	255044520075	Hydraulic hose assembly 13-L3015-2CS-60°	1	
	255044520076	Hydraulic hose assembly 13-L3480-2CS-60°	1	
	255044520077	Hydraulic hose assembly 13-L3950-2CS-60°	1	
3	255044520096	Pulley	1	
4	910400100008	Washer GB97.1-12-200HV	1	
5	910400500008	Washer GB93-12	1	
6	910100300054	Bolt GB5783-M12x50-8.8	1	
7	255044020043	Hoop	1	
8	921600400001	Strip 4x250	As required	
9	255044020042	Hose press plate	As required	
10	255044510020	Hydraulic steel pipe welding	1	
11	910400500006	Washer GB93-8	5	
12	910100300022	Bolt GB5783-M8x20-8.8	1	
13	255044520070	Hydraulic hose assembly 13-L620-2SC-60°	1	
14	255044510021	Hydraulic steel pipe welding	1	
15	910800100003	Oring 17x2.65	2	
16	255044020122	Joint 12-M20x1.5-M22x1.5-60°	2	
17	255044520067	Hydraulic hose assembly 13-L330-2SC-60°	1	



# Mast lifting pipeline(three stage full free lift)

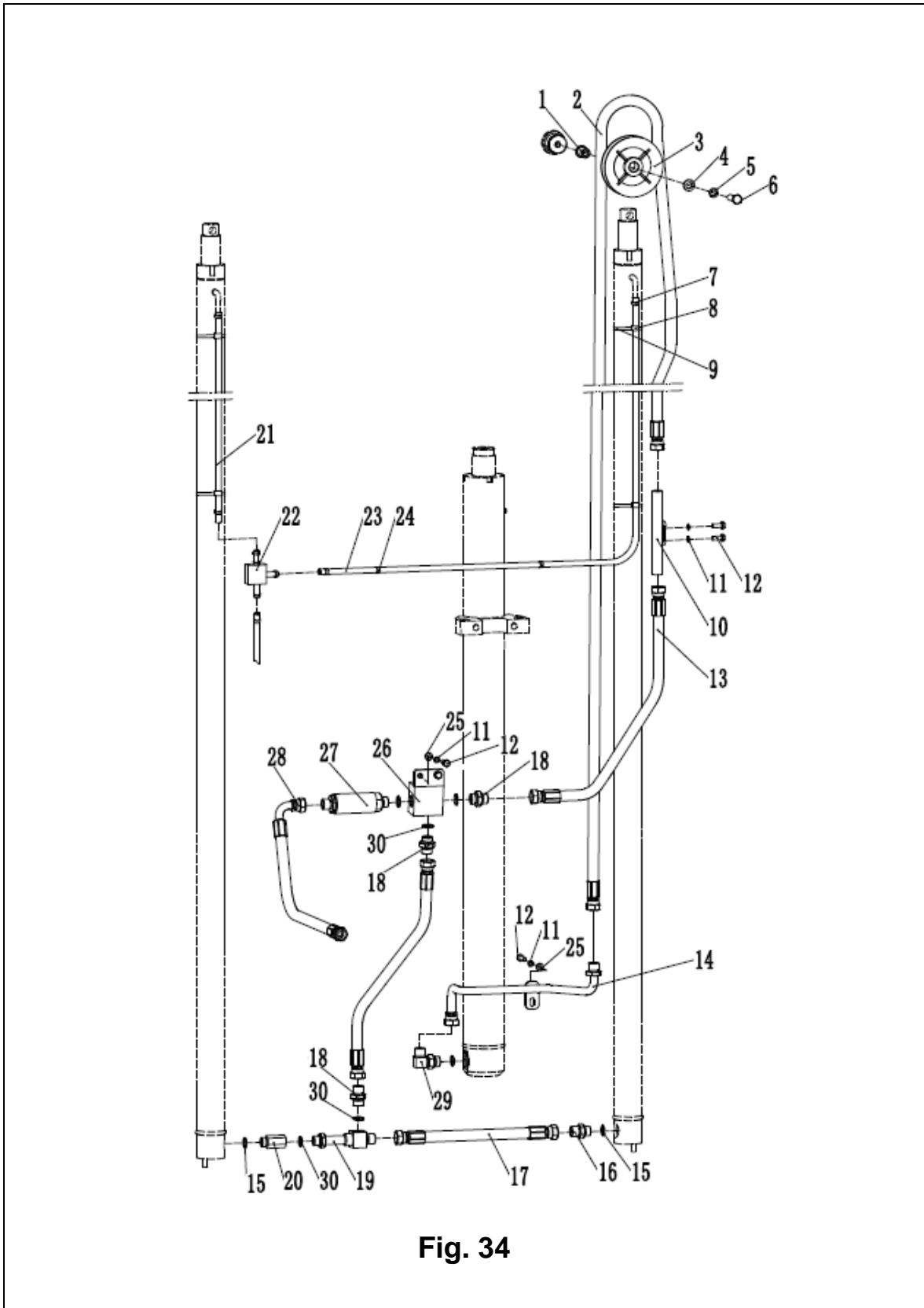


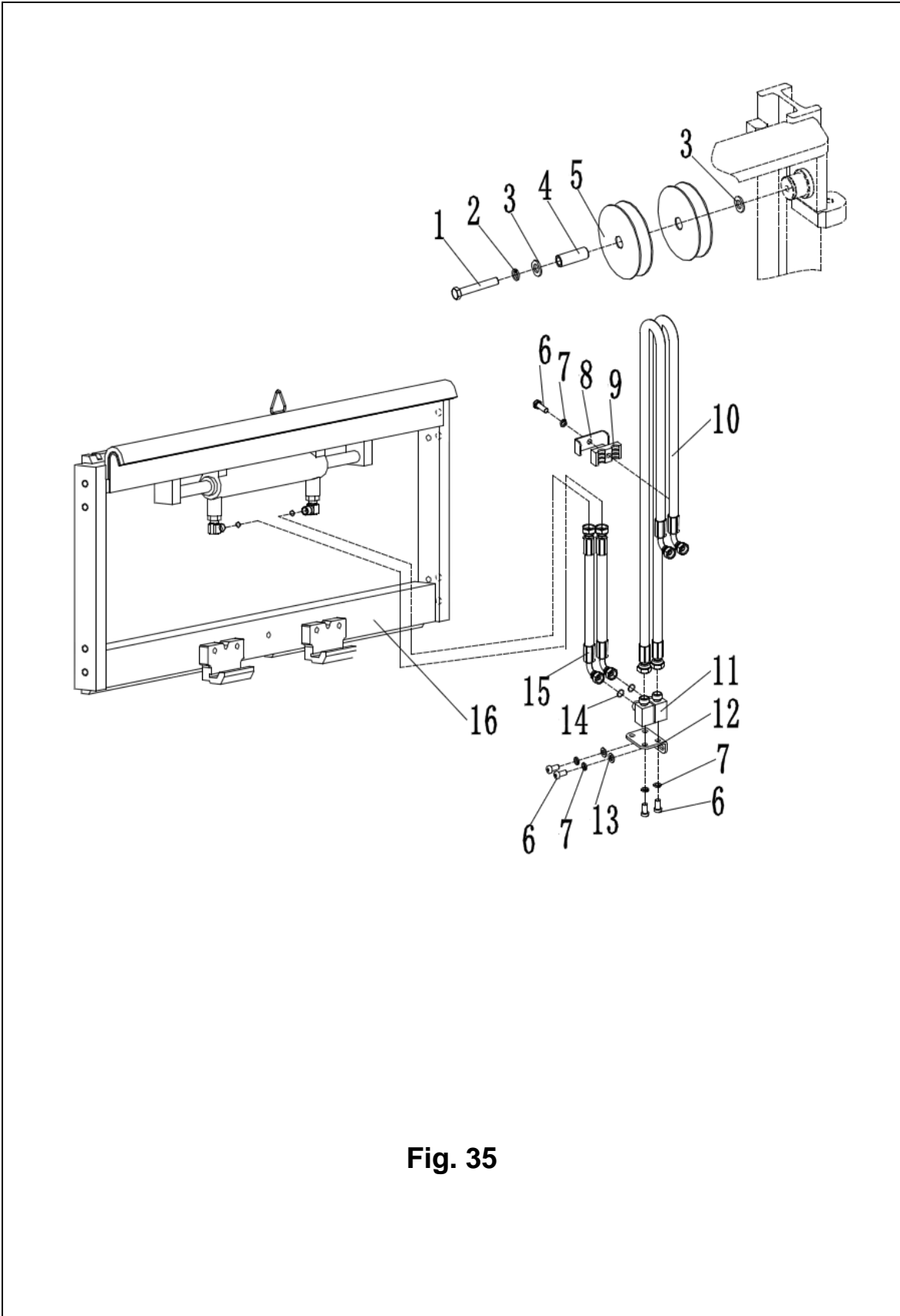
Fig. 34

**Fig. 34 Mast lifting pipeline(three stage full free lift)**

No.	Coding	Description	Qty.	Note
18	255044520131	Joint 12-2xM22x1.5-60°	2	
19	255044010040	Joint	1	
20	255044520080	Joint	1	
21		Oil return hose L=655	1	▲
		Oil return hose L=780	1	▲
		Oil return hose L=830	1	▲
		Oil return hose L=930	1	▲
		Oil return hose L=1075	1	▲
		Oil return hose L=1310	1	▲
		Oil return hose L=1540	1	▲
22	255044020118	Joint	1	
23		Oil return hose L=1195	1	▲
		Oil return hose L=1320	1	▲
		Oil return hose L=1370	1	▲
		Oil return hose L=1470	1	▲
		Oil return hose L=1615	1	▲
		Oil return hose L=1850	1	▲
		Oil return hose L=2010	1	▲
24	921600400003	Strip P/N 156-00646	2	
25	910400100006	Washer GB97.1-8-200HV	3	
26	255044510022	Three joint welding	1	
27	255044020015	Speed limit valve XSF-F16L-2T	1	
28	255044520069	Hydraulic hose assembly (90°) 13-L1350-2SC-60°	1	
29	255044020143	Joint 12-M20x1.5-M22x1.5-60°	1	
30	910800100004	Oring 18x2.65	2	

Note: ▲ spare parts will not be provided separately

**Side shifter and pipeline installation (standard mast)**

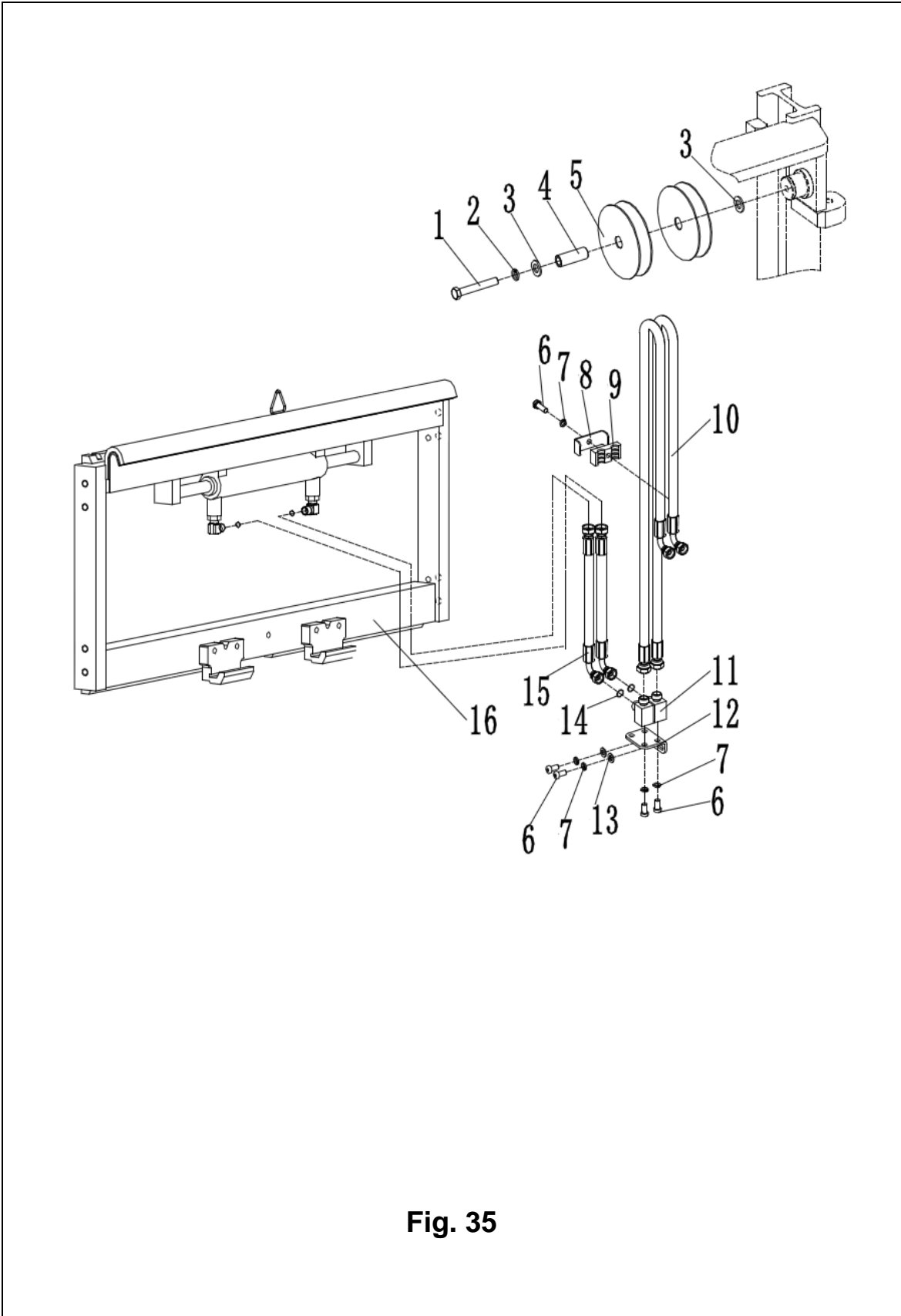


**Fig. 35**

**Fig. 35 Side shifter and pipeline installation (standard mast)**

No.	Coding	Description	Qty.	Note
1	910100100056	Bolt GB5782-M12x90-8.8	1	
2	910400500008	Washer GB93-12	1	
3	910400100008	Washer GB97.1-12-200HV	1	
4	255030520022	Bush $\Phi$ 22x $\Phi$ 13x56	1	
5	255030520021	Pulley $\Phi$ 110x27	2	
6	910200200059	Screw GB70.1-M8x30-8.8	2	
7	910400500006	Washer GB93-8	6	
8	255028520034	Rubber pipe lump	2	
9	255028520035	Pipe press fixedly plank	2	
10	255028520046	Hydraulic hose assembly (90°)8-L2900-1SC-60°	2	H=2000
	255028520047	Hydraulic hose assembly (90°)8-L3450-1SC-60°	2	H=2500
	255027520011	Hydraulic hose assembly (90°)8-L4050-1SC-60°	2	H=3000
	255027520012	Hydraulic hose assembly (90°)8-L4250-1SC-60°	2	H=3300
	255027520013	Hydraulic hose assembly (90°)8-L4400-1SC-60°	2	H=3500
	255027520001	Hydraulic hose assembly (90°)8-L4500-1SC-60°	2	H=3600
	255027520014	Hydraulic hose assembly (90°)8-L4650-1SC-60°	2	H=3700
	255027520015	Hydraulic hose assembly (90°)8-L5050-1SC-60°	2	H=4000
	255027520016	Hydraulic hose assembly (90°)8-L5350-1SC-60°	2	H=4300
	255027520017	Hydraulic hose assembly (90°)8-L5550-1SC-60°	2	H=4500
	255027520018	Hydraulic hose assembly (90°)8-L6150-1SC-60°	2	H=5000
	255027520019	Hydraulic hose assembly (90°)8-L6650-1SC-60°	2	H=5500
	255027520020	Hydraulic hose assembly (90°)8-L7150-1SC-60°	2	H=6000

**Side shifter and pipeline installation (standard mast)**

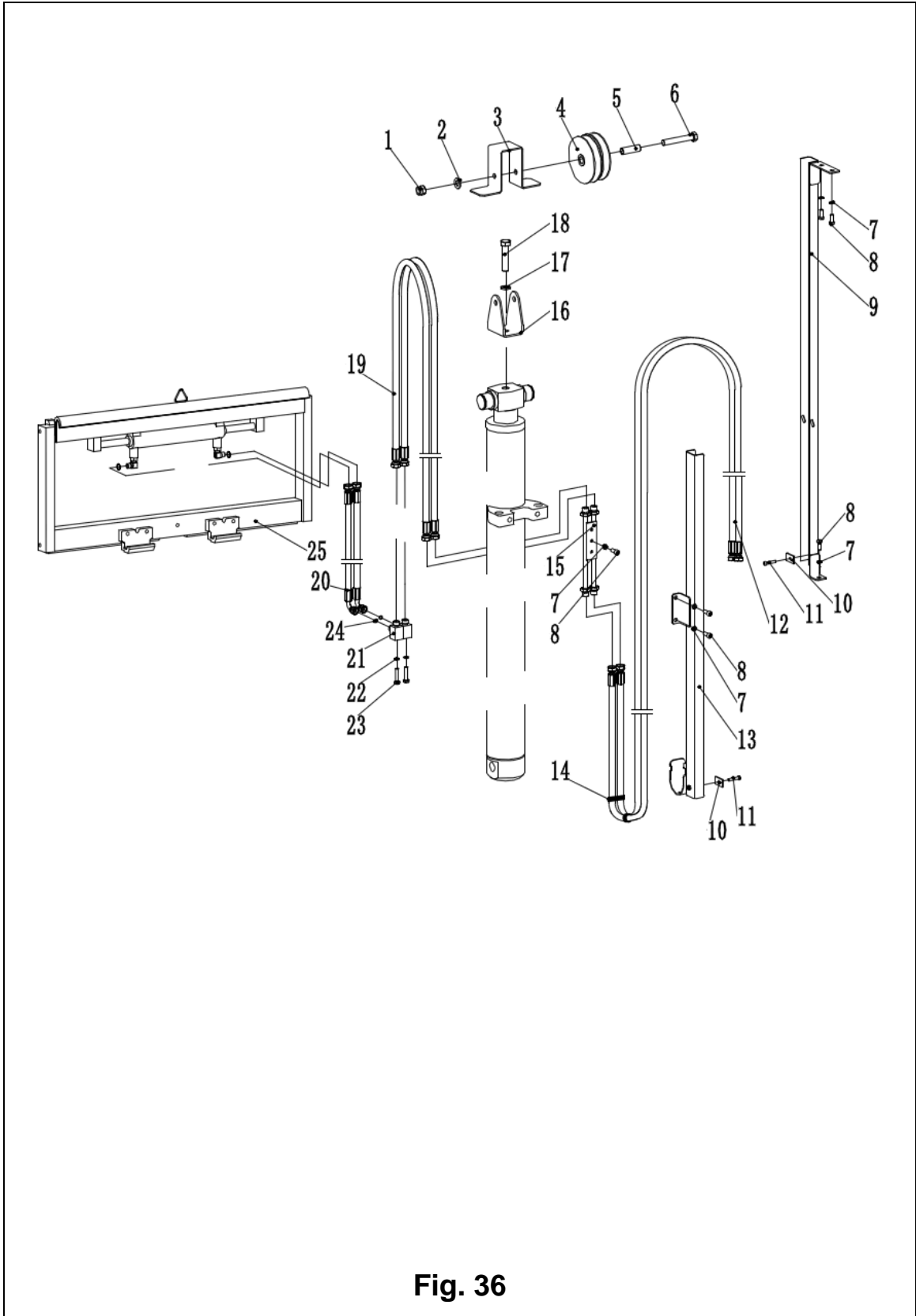


**Fig. 35**

**Fig. 35 Side shifter and pipeline installation (standard mast)**

No.	Coding	Description	Qty.	Note
11	255029020024	Joint 8-2XM16x1.5-60°	2	
12	254127520001	fixedly plank	1	
13	910400100006	Washer GB97.1-8-200HV	2	
14	910800100001	Oring 9.5x1.8	4	
15	255042520101	Hydraulic hose assembly (90°)8-L500-1SC-90°	2	
16	255042510001	Side shifter assembly	1	

**Side shifter and pipeline installation(two stage full free)**



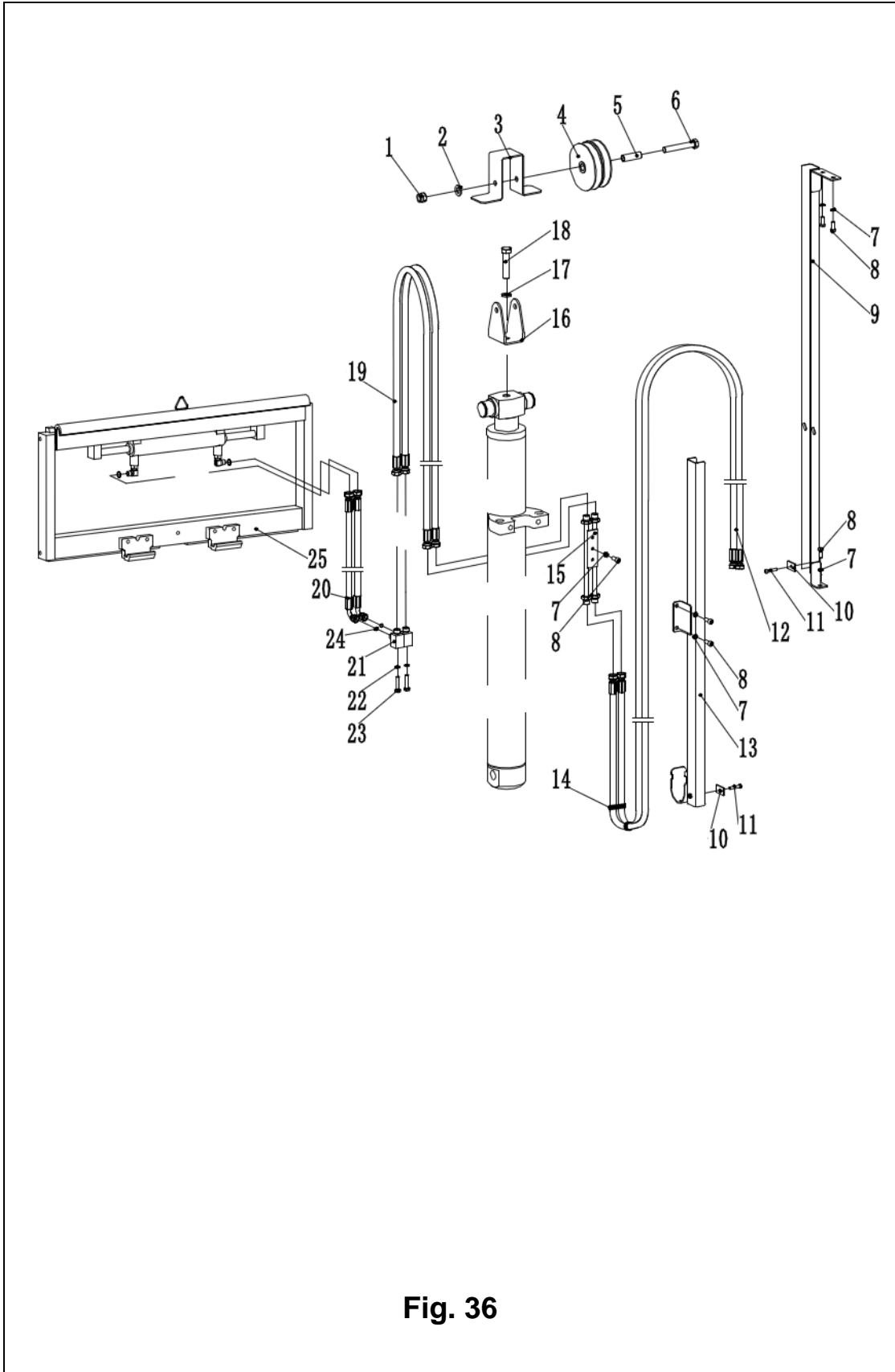
**Fig. 36**

**Fig. 36 Side shifter and pipeline installation(two stage full free)**

No.	Coding	Description	Qty.	Note
1	910400100008	Washer GB97.1-12-200HV	1	
2	910300500006	Nut GB889.1-M12-10	1	
3	255028520043	Plate	1	
4	255030520021	Pulley $\phi$ 110x27	2	
5	255030520022	Bushing	1	
6	910100100056	Bolt GB5782-M12x90-8.8	1	
7	910400500006	Washer GB93-8	11	
8	910200200057	Screw GB70.1-M8x20-8.8	7	
9	255028510001	Groove welding L=670	1	
	255028510002	Groove welding L=840	1	
	255028510003	Groove welding L=1090	1	3.3m、3.5m
	255028510004	Groove welding L=1240	1	3.6m、3.7m
	255028510005	Groove welding L=1390	1	
	255028510006	Groove welding L=1640	1	
10	255028520052	Press plate	2	
11	910200200039	Screw GB70.1-M6x30-8.8	2	
12	255028520021	Hydraulic hose assembly (90°)8-L2700-1SC-60°	2	2m-3.5m
	255028520026	Hydraulic hose assembly (90°)8-L2950-1SC-60°	2	3.6m-6m
13	255028510011	Groove welding L=680	1	
	255028510012	Groove welding L=800	1	
	255028510013	Groove welding L=930	1	
	255028510014	Groove welding L=1020	1	3.3m、3.5m
	255028510015	Groove welding L=1080	1	3.6m、3.7m
	255028510016	Groove welding L=1180	1	
14	921600400001	Strip 4x250	2	
15	255028510022	Transition steel pipe	1	
16	255030520026	Pulley frame	1	
17	910100100072	Bolt GB5782-M16x60-8.8	1	



**Side shifter and pipeline installation(two stage full free)**

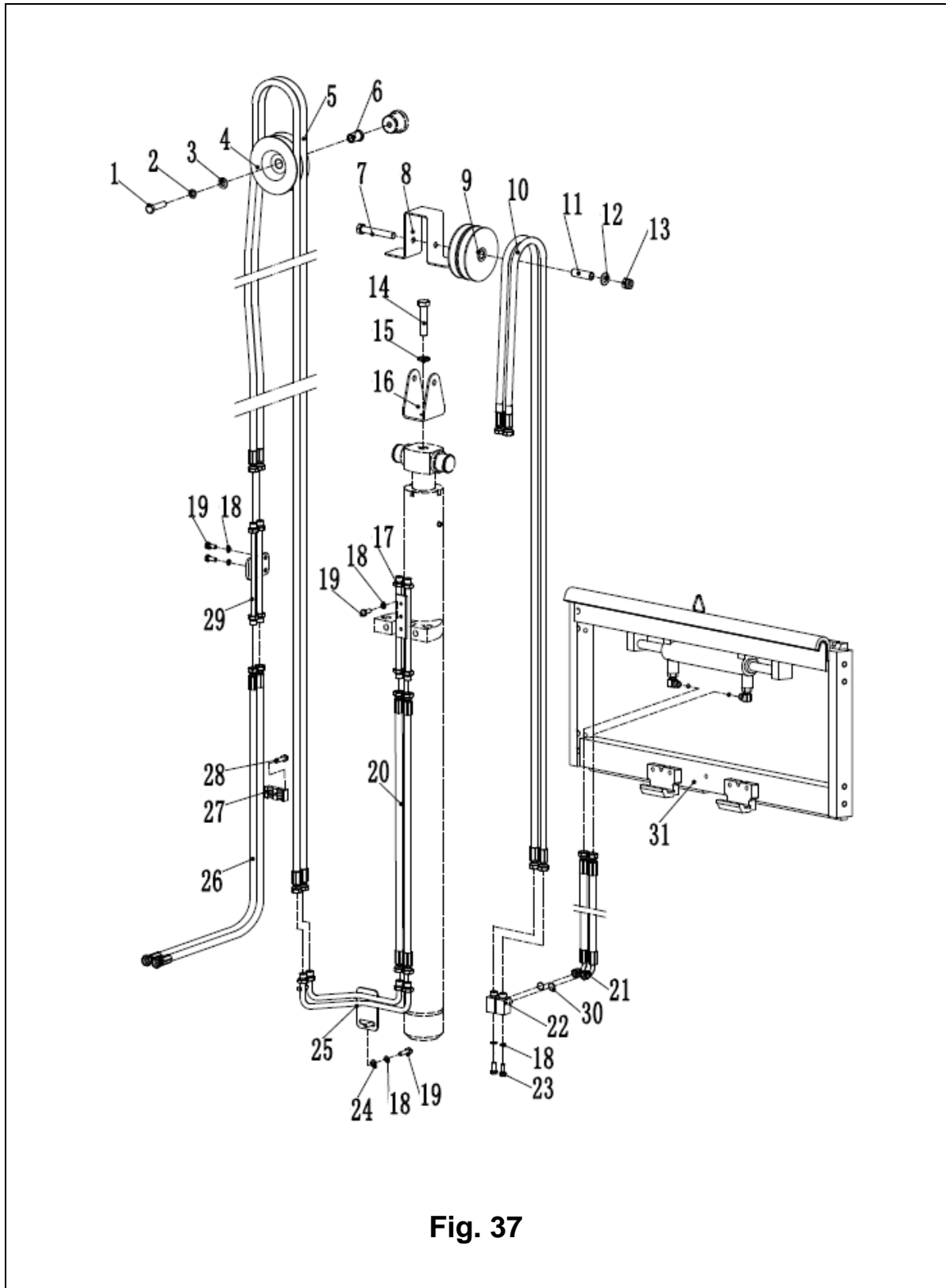


**Fig. 36**

**Fig. 36 Side shifter and pipeline installation(two stage full free)**

No.	Coding	Description	Qty.	Note
18	910400100010	Washer GB97.1-16-200HV	1	
19	255028520008	Hydraulic hose assembly 8-L950-1SC-60°	2	
	255028520009	Hydraulic hose assembly 8-L1200-1SC-60°	2	
	255028520010	Hydraulic hose assembly 8-L1470-1SC-60°	2	
	255028520011	Hydraulic hose assembly 8-L1600-1SC-60°	2	
	255028520012	Hydraulic hose assembly 8-L1700-1SC-60°	2	
	255028520013	Hydraulic hose assembly 8-L1750-1SC-60°	2	3.6m 、 3.7m
	255028520015	Hydraulic hose assembly 8-L1950-1SC-60°	2	
	255028520016	Hydraulic hose assembly 8-L2100-1SC-60°	2	
	255028520017	Hydraulic hose assembly 8-L2200-1SC-60°	2	
	255028520018	Hydraulic hose assembly 8-L2450-1SC-60°	2	
	255028520019	Hydraulic hose assembly 8-L2700-1SC-60°	2	
	255028520020	Hydraulic hose assembly 8-L2950-1SC-60°	2	
20	255042520101	Hydraulic hose assembly (90°)8-L500-1SC-90°	2	
21	255029020024	Joint 8-2XM16x1.5-60°	2	
22	910400500006	Washer GB93-8	1	
23	910100300025	Bolt GB5783-M8x35-8.8	2	
24	910800100001	Oring 9.5x1.8	4	
25	255042510001	Side shifter assembly	1	

**Side shifter and pipeline installation(three stage full free)**



**Fig. 37**

**Fig. 37 Side shifter and pipeline installation(three stage full free)**

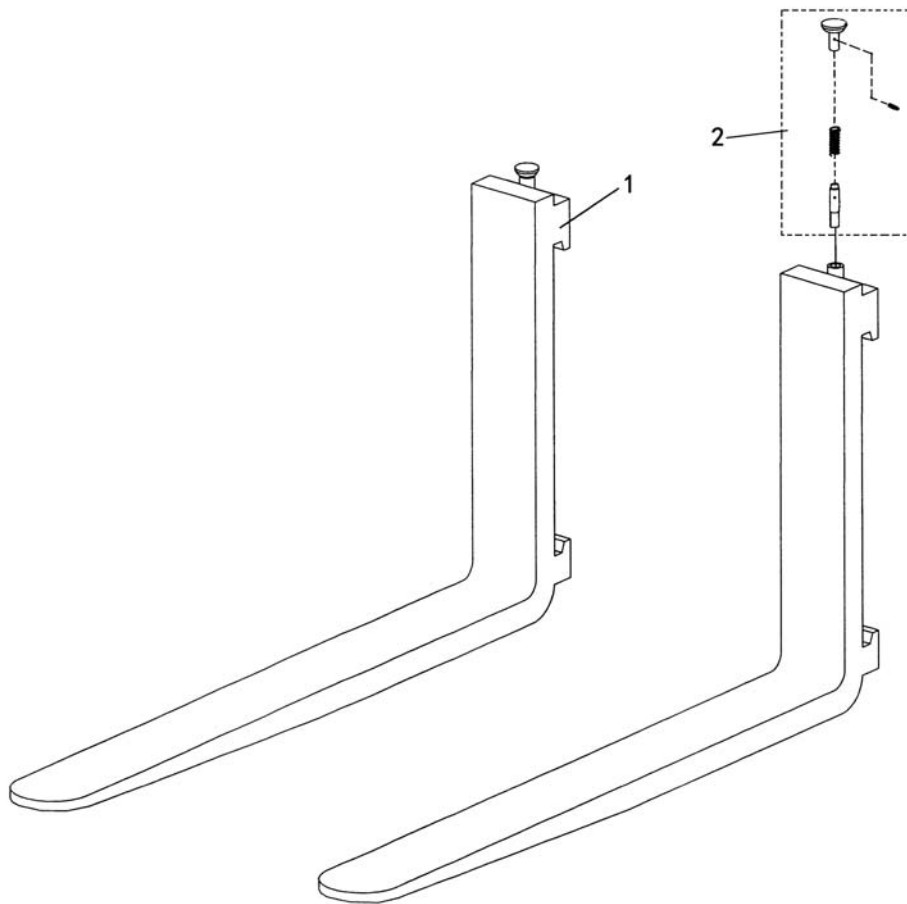
No.	Coding	Description	Qty.	Note
1	910100300054	BoltGB5783-M12x50-8.8	1	
2	910400500008	Washer GB93-12	1	
3	910400100008	Washer GB97.1-12-200HV	2	
4	255030520020	Pulley	1	
5	255030520001	Hydraulic hose assembly 8-L2060-1CS-60°	1	
	255030520002	Hydraulic hose assembly 8-L2310-1CS-60°	1	
	255030520003	Hydraulic hose assembly 8-L2410-1CS-60°	1	
	255030520004	Hydraulic hose assembly 8-L2610-1CS-60°	1	
	255030520005	Hydraulic hose assembly 8-L2900-1CS-60°	1	
	255030520006	Hydraulic hose assembly 8-L3370-1CS-60°	1	
	255030520007	Hydraulic hose assembly 8-L3840-1CS-60°	1	
6	255044520081	Bushing	1	
7	910100100056	Bolt GB5782-M12x90-8.8	1	
8	255028520043	Chain plate	1	
9	255030520021	Pulley φ110x27	2	
10	255030520010	Hydraulic hose assembly8-L1060-1CS-60°	2	
	255030520011	Hydraulic hose assembly8-L1190-1CS-60°	2	
	255030520012	Hydraulic hose assembly8-L1240-1CS-60°	2	
	255030520013	Hydraulic hose assembly8-L1340-1CS-60°	2	
	255030520014	Hydraulic hose assembly8-L1450-1CS-60°	2	
	255030520015	Hydraulic hose assembly8-L1680-1CS-60°	2	
	255030520016	Hydraulic hose assembly8-L1920-1CS-60°	2	
11	255030520022	Bushing	1	



**Fig. 37 Side shifter and pipeline installation(three stage full free)**

No.	Coding	Description	Qty.	Note
12	910400100008	Washer GB97.1-12-200HV	2	
13	910300500006	Nut GB889.1-M12-10	1	
14	910100100072	Bolt GB5782-M16x60-8.8	1	
15	910400100010	Washer GB97.1-16-200HV	1	
16	255030520026	Pulley frame	1	
17	255028510022	Transition steel plate	1	
18	910400100006	Washer GB93-8	5	
19	910100300022	Bolt GB5783-M8x20-8.8	5	
20	255030520008	Hydraulic hose assembly 8-L360-1CS-60°	2	
	255030520009	Hydraulic hose assembly 8-L610-1CS-60°	2	
21	255042520101	Hydraulic hose assembly (90°)8-L500-1SC-90°	2	
22	255029020024	Joint 8-2XM16x1.5-60°	2	
23	910100300025	Bolt GB5783-M8x35-8.8	2	
24	910400500006	Washer GB97.1-8-200HV	5	
25	255030520019	Hydraulic steel pipe welding	1	
26	255030520017	Sideway rubber hose	2	
27	255028520034	Hose fixing bloke	2	
28	910200200060	Screw GB70.1-M8x35-8.8	1	
29	255030520018	Hydraulic steel pipe welding	1	
30	910800100001	Oring 9.5x1.8	4	
31	255042510001	Side shift assembly	1	

# Fork



**Fig. 38**

**Fig. 38****Fork**

---

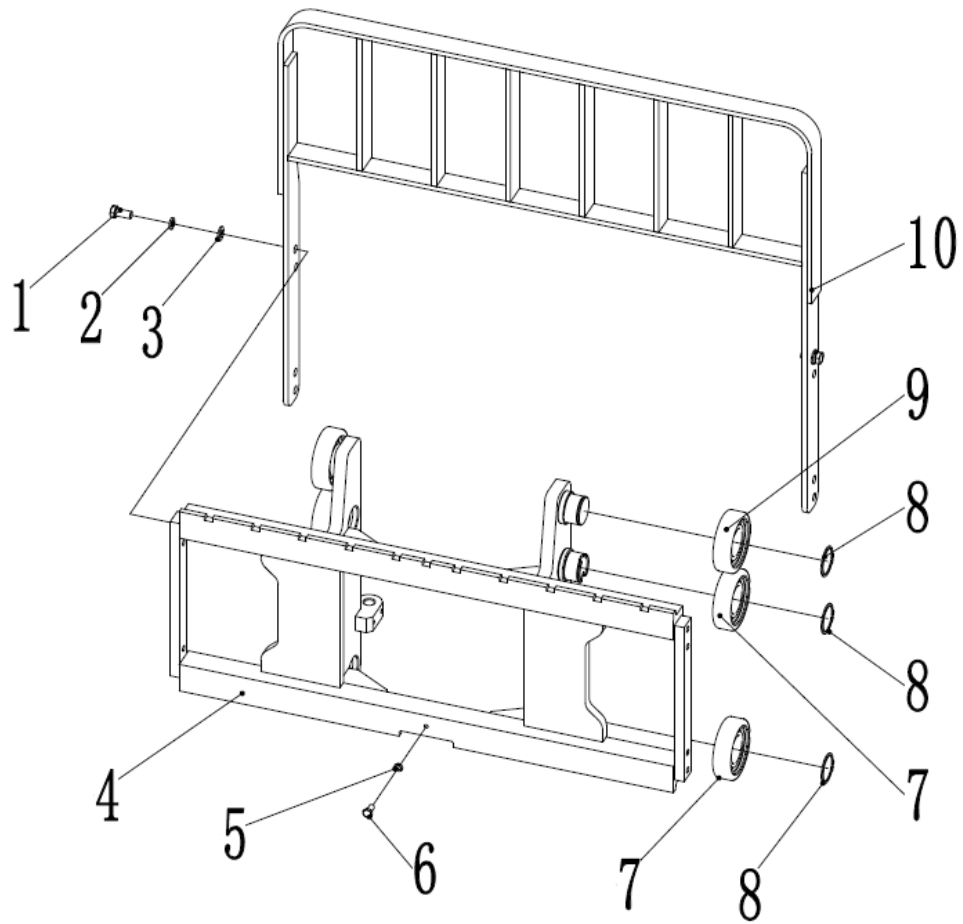
No.	Coding	Description	Qty.	Note
A	940100100008	Fork 120x40x1070	2	Inc.1-2
	940100100010	Fork 120x40x1150	2	
	940100100009	Fork 120x40x1220	2	
	940100100011	Fork 120x40x1370	2	
	940100100012	Fork 120x40x1520	2	
1		Fork body	2	▲
2	25309854101	Lift pin assembly	2	

Note: ▲ spare parts will not be provided separately



**Fork**

**carrier(standard mast)**

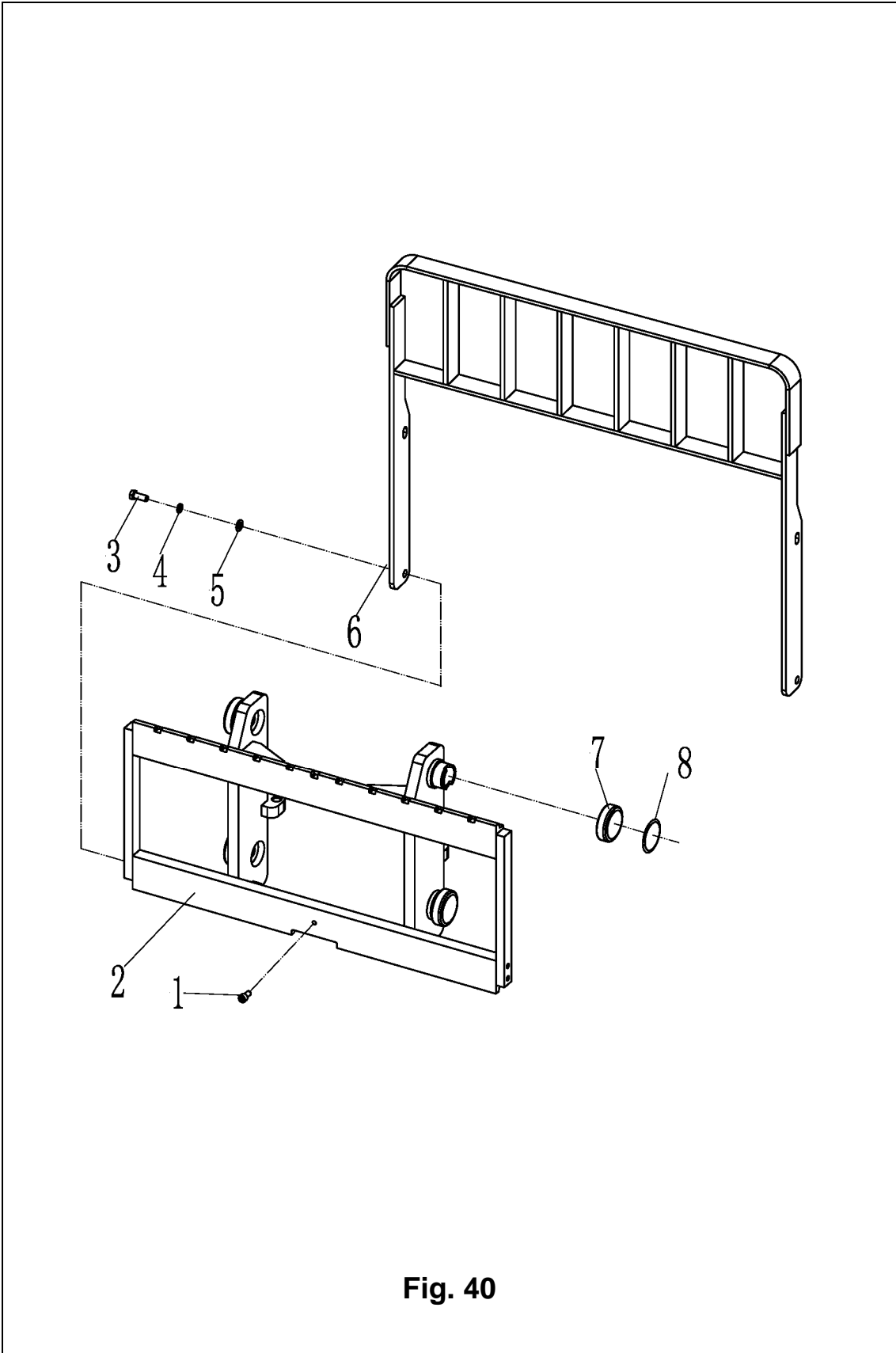


**Fig. 39**

**Fig. 39 Fork carrier(standard mast)**

No.	Coding	Art No.	Description	Qty.	Note
1	910100300062		Bolt GB5783-M14x30-8.8	8	
2	910400500009		Washer GB93-14	8	
3	910400100009		Washer GB97.1-14-200HV	8	
4	255038010001		Fork carrier weldind (standard mast)	1	
5	910400100007		Washer GB97.1-10-200HV	1	
6	910200200077		ScrewGB70.1-M10x30-8.8	1	
7	940200300014	30480-13000	Roller φ119.2-range=59.5-64.5	4	
8	910401300026		Circlip GB894.1-55	6	
9	940200100003	30480-13100	Main roller φ119xφ55x34	2	
10	255040510001	25480-06000	Load backrest welding	1	

# Fork carrier(two stage full free)



**Fig. 40**

**Fig. 40 Fork carrier(two stage full free)**

No.	Coding	Description	Qty.	Note
1	910200200077	ScrewGB70.1-M10x30-8.8	1	
2	255038010002	Fork carrier welding( two stage full free)	1	
3	910100300062	Bolt GB5783-M14x30-8.8	8	
4	910400500009	Washer GB93-14	8	
5	910400100009	Washer GB97.1-14-200HV	8	
6	255040510001	Fork carrier welding	1	
7	940200300014	Roller φ119.2-range=59.5-64.5	2	
8	910401300026	Circlip GB894.1-55	2	

## Fork carrier(three stage full free)

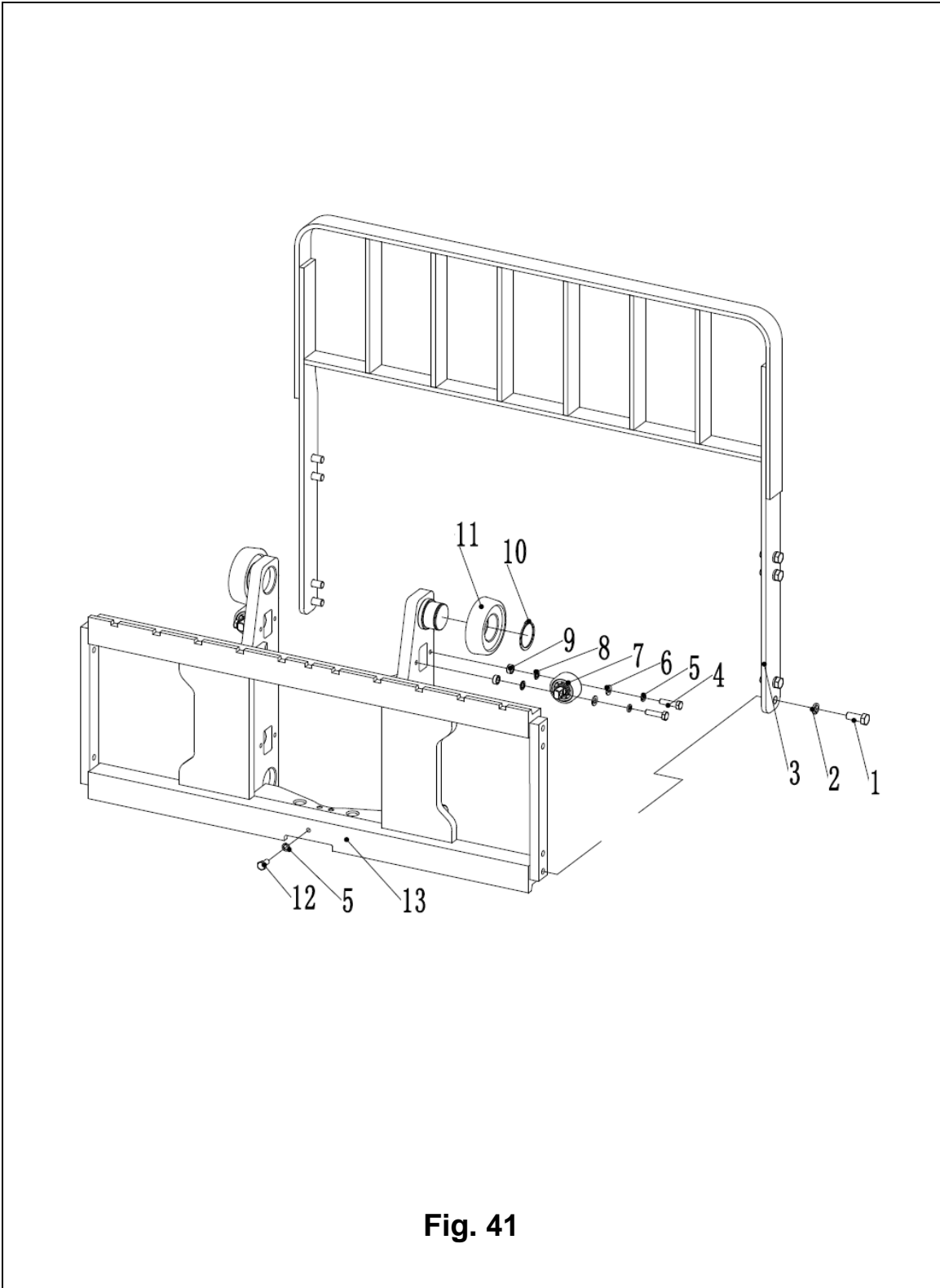
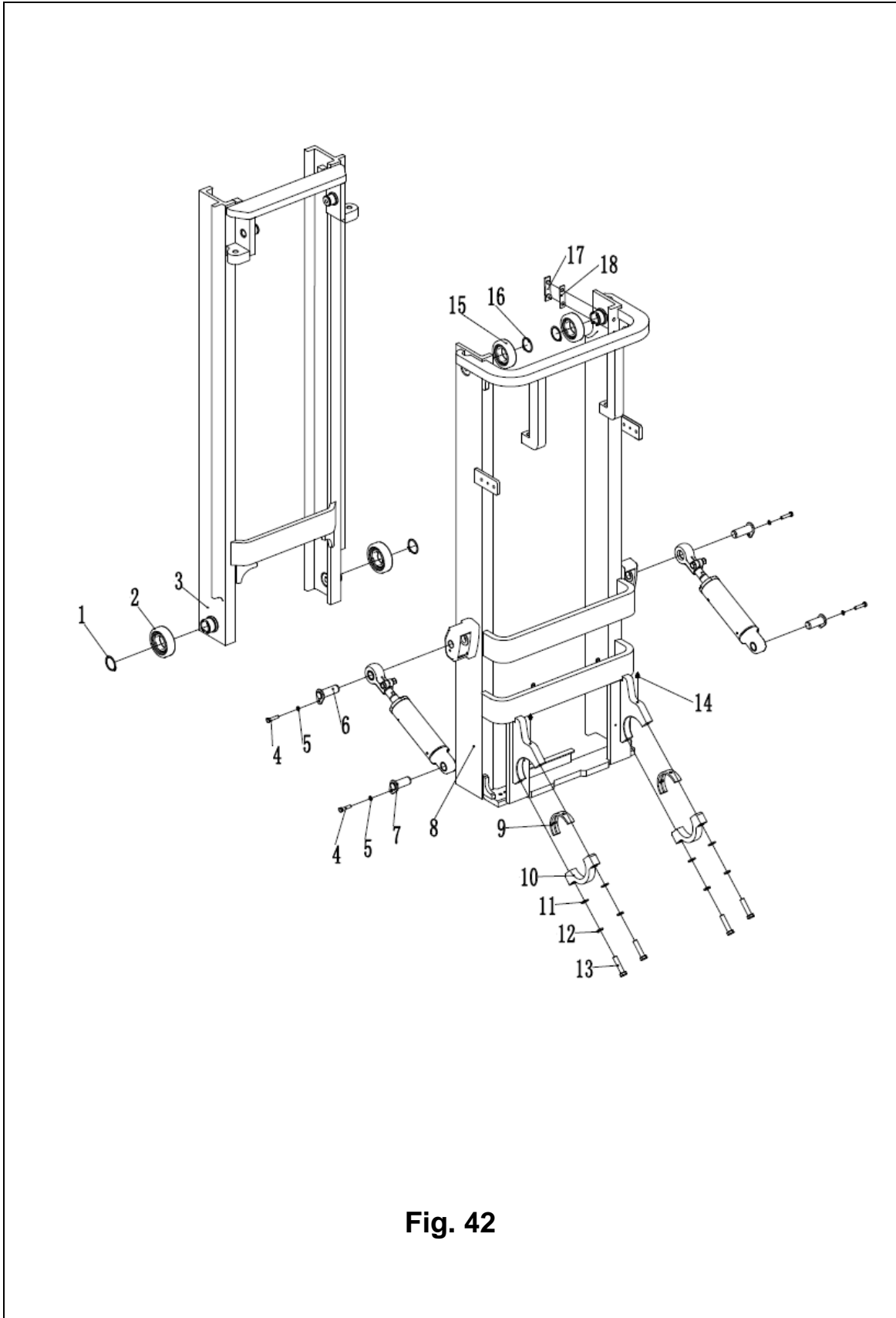


Fig. 41

**Fig. 41 Fork carrier(three stage full free)**

No.	Coding	Description	Qty.	Note
1	910100300062	Bolt GB5783-M14x30-8.8	8	
2	910400500009	Washer GB93-14	8	
3	910400100009	Washer GB97.1-14-200HV	8	
4	910100300039	Bolt GB5783-M10x40-8.8	1	
5	910400100007	Washer GB97.1-10-200HV	1	
6	910400500008	Washer GB93-12	1	
7	940200200006	Side roller $\phi$ 58-CD=60	4	
8	255038020008	Side roller adjusting bushing	As required	
9	255038020009	Side roller adjusting pad	As required	
10	910401300026	Circlip GB894.1-55	2	
11	940200300014	Roller $\phi$ 119.2-range=59.5-64.5	2	
12	910200200077	Screw GB70.1-M10x30-8.8	1	
13	255038010003	Fork carrier welding (three stage full free)	1	

# Mast (standard mast)



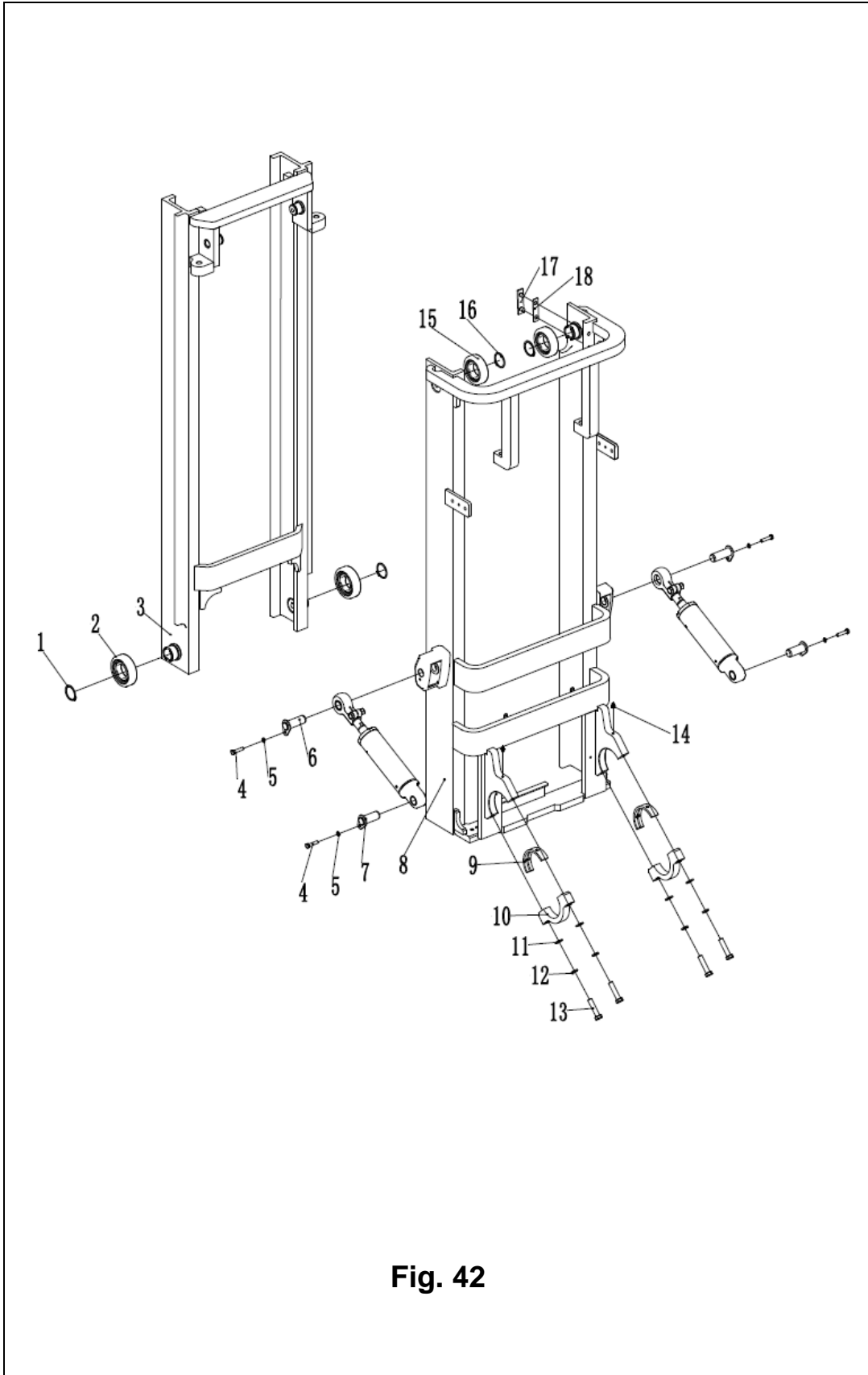
**Fig. 42**

**Fig. 42 Mast (standard mast)**

No.	Coding	Description	Qty.	Note
1	910401300026	Circlip GB894.1-55	2	
2	940200300014	Roller $\phi$ 119.2-range=59.5-64.5	2	
3	255044010014	Mast 2000	1	H=2000m
	255044010015	Mast 2500	1	H=2500m
	255044010016	Mast 3000	1	H=3000m
	255044010017	Mast 3300	1	H=3300m
	255044010018	Mast 3500	1	H=3500m
	255044010019	Mast 3600	1	H=3600m
	255044010020	Mast 3700	1	H=3700m
	255044010021	Mast 4000	1	H=4000m
	255044010022	Mast 4300	1	H=4300m
	255044010023	Mast 4500	1	H=4500m
	255044010024	Mast 5000	1	H=5000m
	255044010025	Mast 5500	1	H=5500m
255044010026	Mast 6000	1	H=6000m	
4	910100300035	Bolt GB5783-M10x20-8.8	4	
5	910400100007	Washer GB97.1-10-200HV	9	
6	255044010057	Axle $\phi$ 30x82	2	
7	255044010056	Axle $\phi$ 30x72	2	
8	255044010001	Mast 2000	1	H=2000m
	255044010002	Mast 2500	1	H=2500m
	255044010003	Mast 3000	1	H=3000m
	255044010004	Mast 3300	1	H=3300m
	255044010005	Mast 3500	1	H=3500m
	255044010006	Mast 3600	1	H=3600m
	255044010007	Mast 3700	1	H=3700m
	255044010008	Mast 4000	1	H=4000m
	255044010009	Mast 4300	1	H=4300m



## Mast (standard mast)



**Fig. 42**

**Fig. 42 Mast (standard mast)**

No.	Coding	Description	Qty.	Note
8	255044010010	Mast 4500	1	H=4500m
	255044010011	Mast 5000	1	H=5000m
	255044010012	Mast 5500	1	H=5500m
	255044010013	Mast 6000	1	H=6000m
9	255044020006	Bearing bush	2	
10	255044020005	Bearing cover	2	
11	910400500010	Washer GB93-16	4	
12	910100200016	Bolt GB5785-M16x1.5x70-8.8	4	
13	910400100010	Washer GB97.1-16-200HV	4	
14	911200100004	Grease nipple JB7940.1-M10x1	2	
15	940200300013	Roller $\phi$ 111-range=53-58	2	
16	910401300026	Circlip GB894.1-55	2	
17	255044020131	Guide plate	2	
18	255044020125	Adjusting pad $\phi$ 35x $\phi$ 16x0.8	2	Optional
	255044020126	Adjusting pad $\phi$ 35x $\phi$ 16x0.5	2	Optional
	255044020127	Adjusting pad $\phi$ 35x $\phi$ 16x0.2	2	Optional

## Mast (two stage full free)

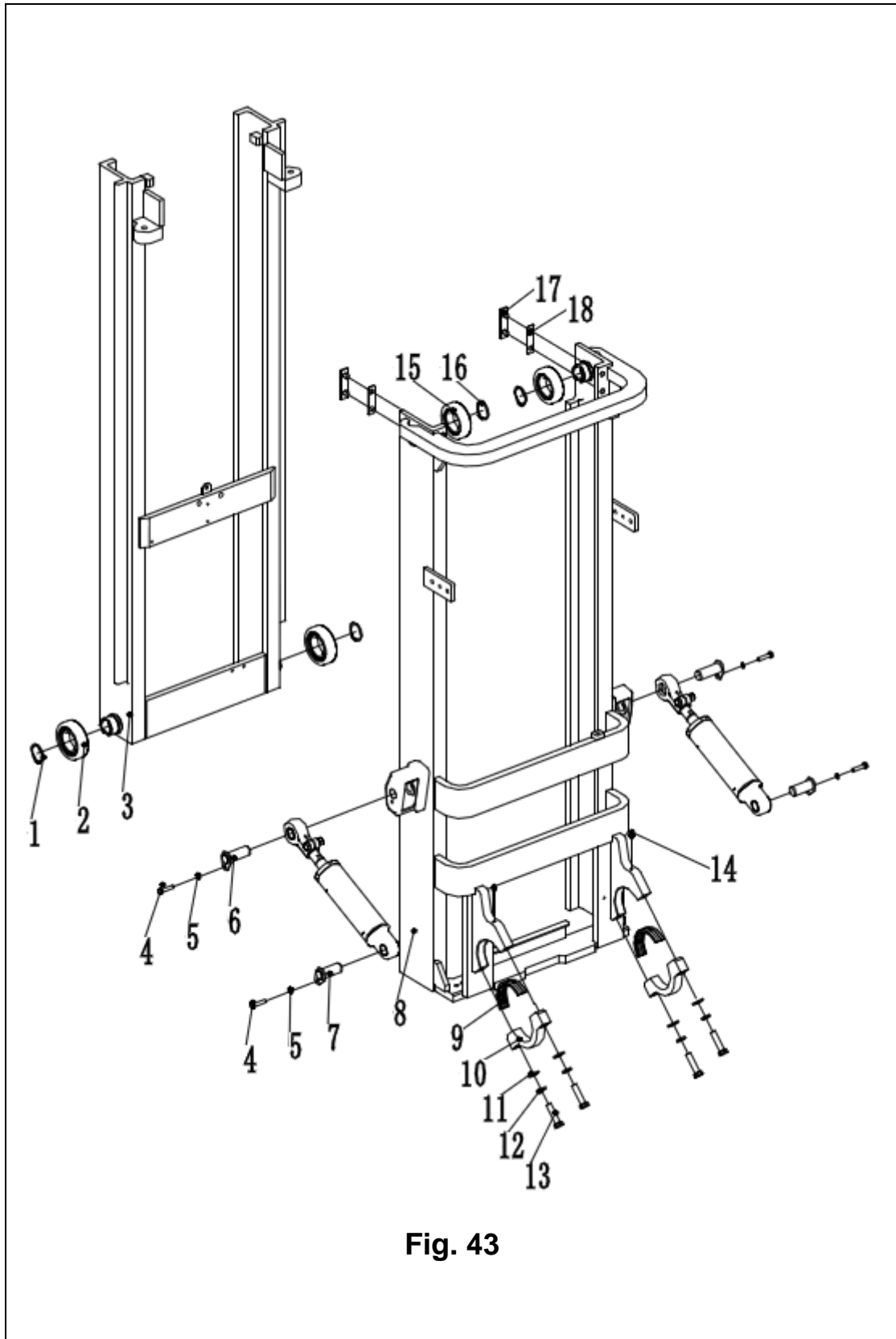


Fig. 43

**Fig. 43 Mast (two stage full free)**

No.	Coding	Description	Qty.	Note
1	910401300026	Circlip GB894.1-55	2	
2	940200300014	Roller $\phi$ 119.2-range=59.5-64.5	2	
3	255043510014	Mast 2000	1	H=2000m
	255043510015	Mast 2500	1	H=2500m
	255043510016	Mast 3000	1	H=3000m
	255043510017	Mast 3300	1	H=3300m
	255043510018	Mast 3500	1	H=3500m
	255043510019	Mast 3600	1	H=3600m
	255043510020	mast3700	1	H=3700m
	255043510021	Mast 4000	1	H=4000m
	255043510022	Mast 4300	1	H=4300m
	255043510023	Mast 4500	1	H=4500m
	255043510024	Mast 5000	1	H=5000m
	255043510025	Mast 5500	1	H=5500m
255043510026	Mast 6000	1	H=6000m	
4	910100300035	Bolt GB5783-M10x20-8.8	4	
5	910400100007	Washer GB97.1-10-200HV	9	
6	255044010057	Axle $\phi$ 30x82	2	
7	255044010056	Axle $\phi$ 30x72	2	
8	255043510027	Mast 2000	1	H=2000m
	255043510028	Mast 2500	1	H=2500m
	255043510029	Mast 3000	1	H=3000m
	255043510030	Mast 3300	1	H=3300m
	255043510031	Mast 3500	1	H=3500m
	255043510032	Mast 3600	1	H=3600m
	255043510033	Mast 3700	1	H=3700m
	255043510034	Mast 4000	1	H=4000m
	255043510035	Mast 4300	1	H=4300m

## Mast (two stage full free)

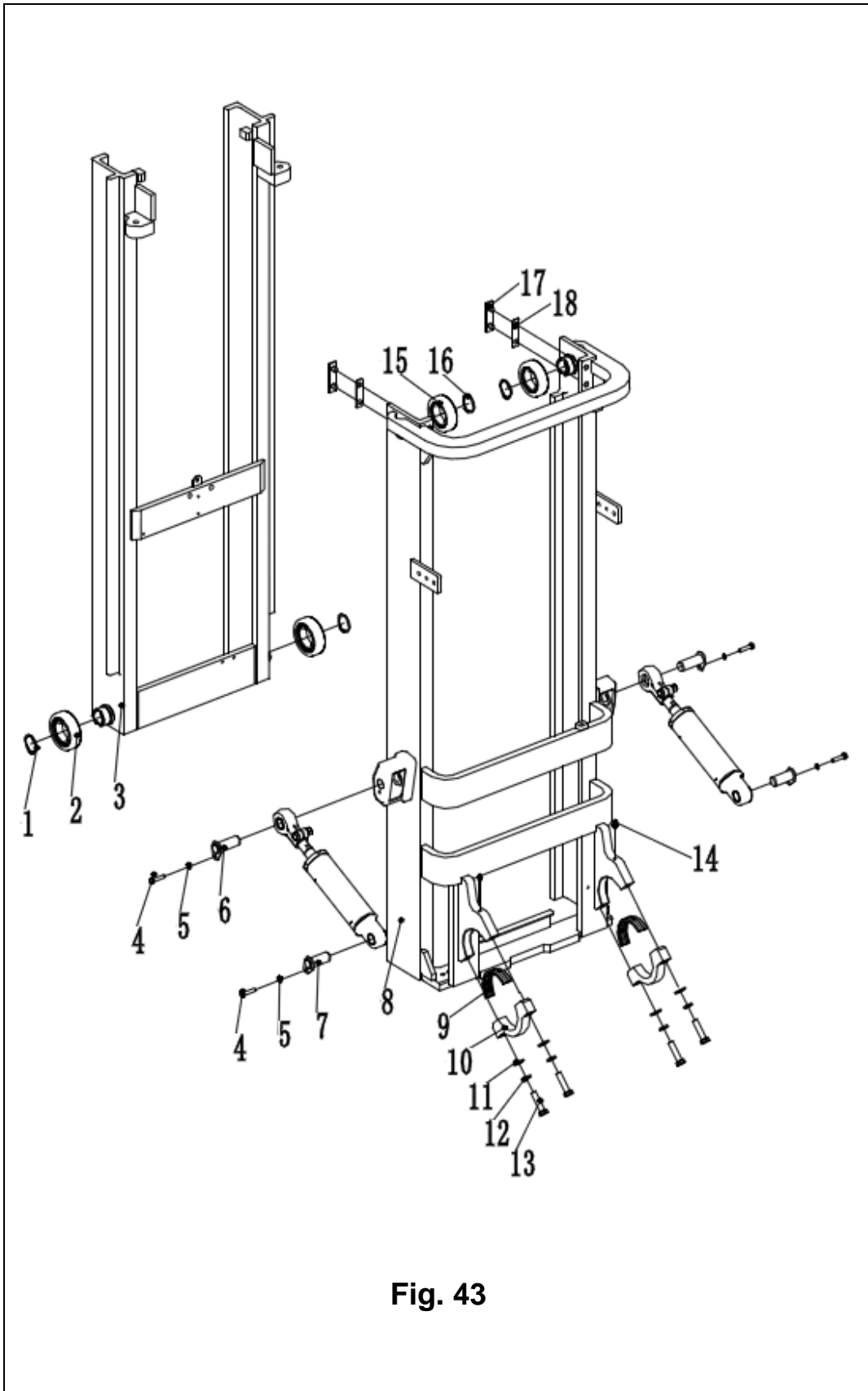


Fig. 43

**Fig. 43 Mast (two stage full free)**

No.	Coding	Description	Qty.	Note
8	255043510036	Mast4500	1	H=4500m
	255043510037	Mast5000	1	H=5000m
	255043510038	Mast5500	1	H=5500m
	255043510039	Mast6000	1	H=6000m
9	255044020006	Bearing bush	2	
10	255044020005	Bearing cover	2	
11	910400500010	Washer GB93-16	4	
12	910100200016	Bolt GB5785-M16x1.5x70-8.8	4	
13	910400100010	Washer GB97.1-16-200HV	4	
14	911200100004	Grease nipple JB7940.1-M10x1	2	
15	940200300013	Roller $\phi$ 111-range=53-58	2	
16	910401300026	Circlip GB894.1-55	2	
17	255044020131	Guide plate	2	
18	255044020125	Adjusting pad $\phi$ 35x $\phi$ 16x0.8	2	Optional
	255044020126	Adjusting pad $\phi$ 35x $\phi$ 16x0.5	2	Optional
	255044020127	Adjusting pad $\phi$ 35x $\phi$ 16x0.2	2	Optional

# Mast (three stage full free)

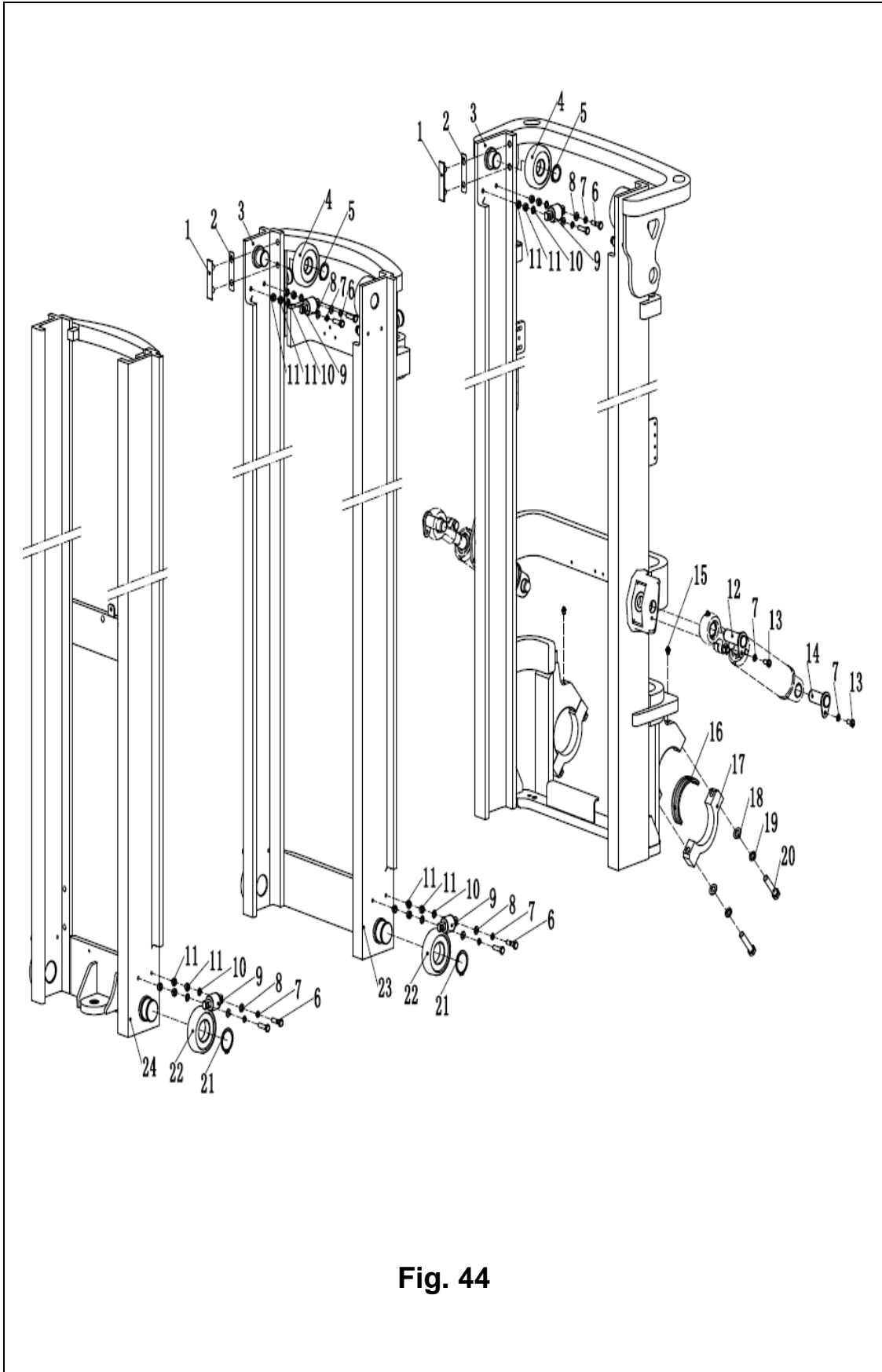


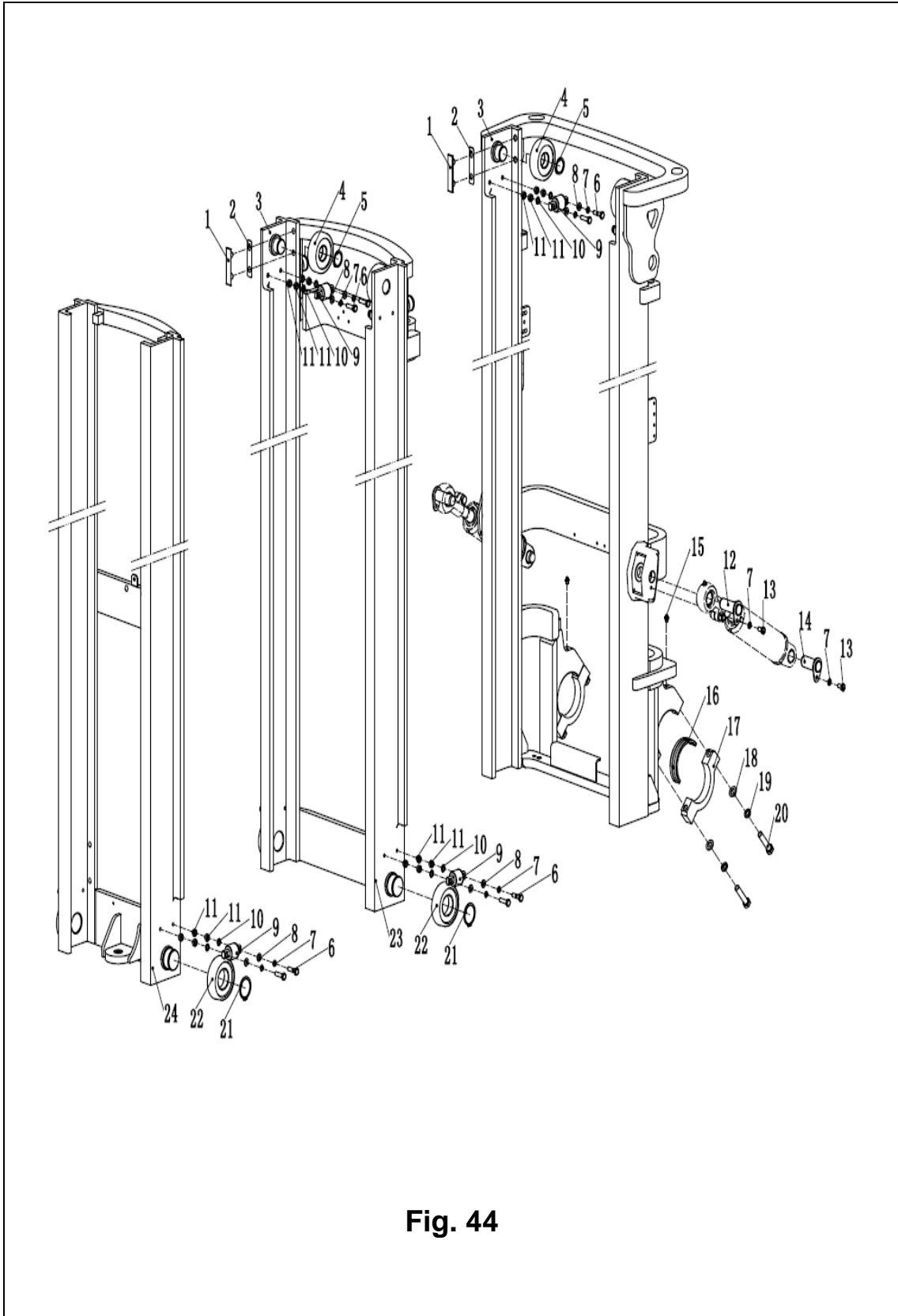
Fig. 44

**Fig. 44 Mast (three stage full free)**

No.	Coding	Description	Qty.	Note
1	255044020131	Guide plate	4	
2	255044020125	Adjusting pad $\phi 35 \times \phi 16 \times 0.8$	4	
	255044020126	Adjusting pad $\phi 35 \times \phi 16 \times 0.5$	4	
	255044020127	Adjusting pad $\phi 35 \times \phi 16 \times 0.2$	4	
3	255044510030	Mast 4000	1	H=4000m
	255044510031	Mast 4300	1	H=4300m
	255044510032	Mast 4500	1	H=4500m
	255044510033	Mast 4800	1	H=4800m
	255044510034	Mast 5000	1	H=5000m
	255044510035	Mast 5500	1	H=5500m
	255044510036	Mast 6000	1	H=6000m
4	940200100012	Roller $\Phi 109.7 \times \Phi 40 \times 32$	4	
5	910401300026	Circlip GB894.1-55	4	
6	910100300039	Bolt GB5783-M10x40-8.8	4	
7	910400500008	Washer GB93-12	6	
8	910400100007	Washer GB97.1-10-200HV	8	
9	940200200005	Roller $\Phi 42$ -CD=68	8	
10	255038020008	Adjusting pad	8	
11	255038020009	Adjusting pad	As required	
12	255044010057	Axle $\phi 30 \times 82$	2	
13	910100300035	Bolt GB5783-M10x20-8.8	4	
14	255044010056	Axle $\phi 30 \times 72$	2	
15	911200100004	Grease nipple JB7940.1-M10x1	2	
16	255044020006	Bearing bush	2	
17	255044020005	Bearing cover	2	
18	910400500010	Washer GB93-16	4	
19	910100200016	Bolt GB5785-M16x1.5x70-8.8	4	



# Mast (three stage full free)



**Fig. 44**

**Fig. 44 Mast (three stage full free)**

No.	Coding	Description	Qty.	Note
20	910400100010	Washer GB97.1-16-200HV	4	
21	910401300026	Circlip GB894.1-55	2	
22	940200300014	Roller φ119.2-range=59.5-64.5	2	
23	255044510023	Mast 4000	1	H=4000m
	255044510024	Mast 4300	1	H=4300m
	255044510025	Mast 4500	1	H=4500m
	255044510026	Mast 4800	1	H=4800m
	255044510027	Mast 5000	1	H=5000m
	255044510028	Mast 5500	1	H=5500m
	255044510029	Mast 6000	1	H=6000m
24	255044510037	Mast 4000	1	H=4000m
	255044510038	Mast 4300	1	H=4300m
	255044510039	Mast 4500	1	H=4500m
	255044510040	Mast 4800	1	H=4800m
	255044510041	Mast 5000	1	H=5000m
	255044510042	Mast 5500	1	H=5500m
	255044510043	Mast 6000	1	H=6000m

## Lifting cylinder(standard mast)

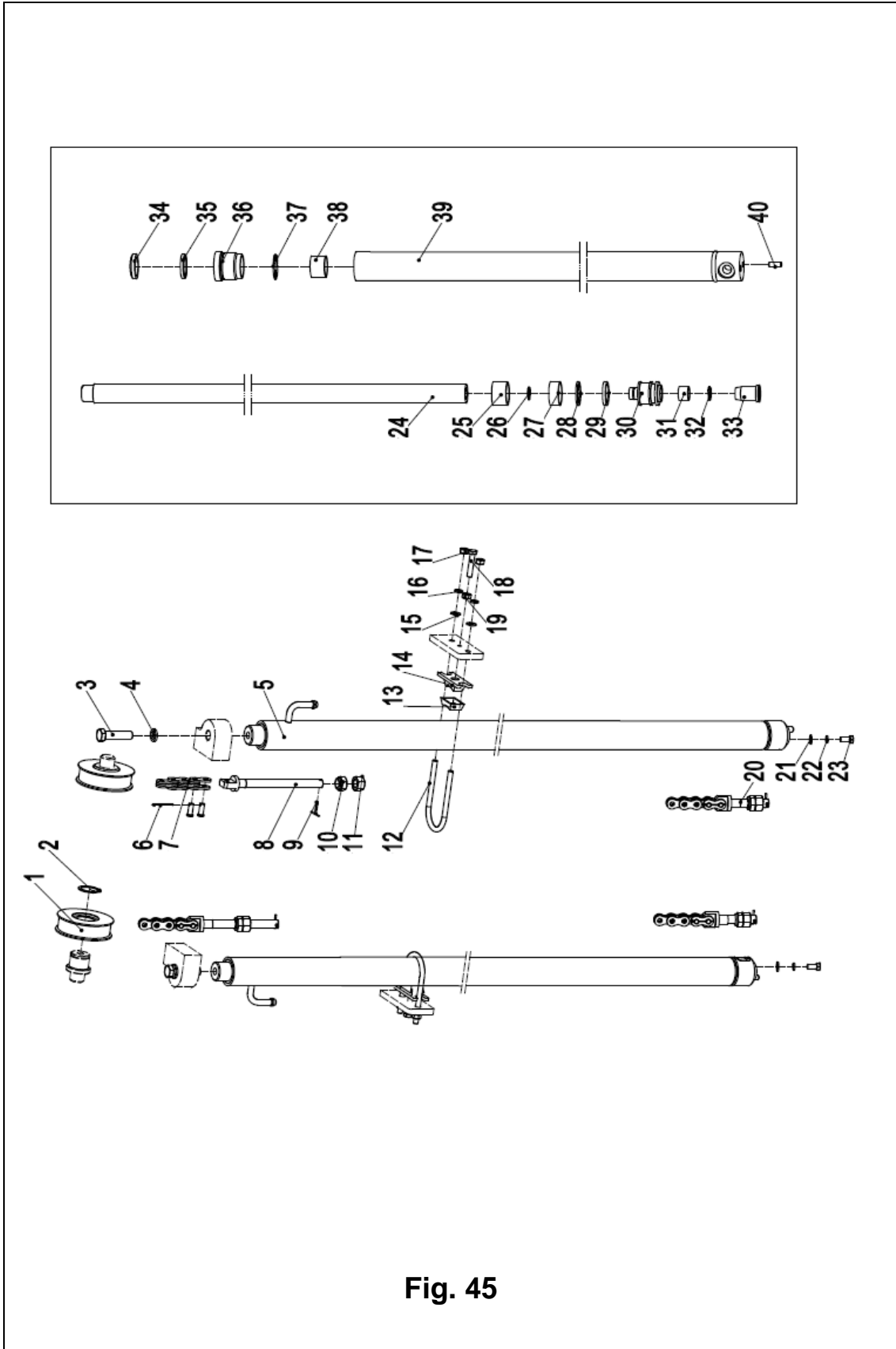


Fig. 45

**Fig. 45 Lifting cylinder(standard mast)**

No.	Coding	Description	Qty.	Note
1	940200500005	Chain wheel bearing780708K-φ110xφ40x27	2	
2	910401300020	Circlip GB894.1-40	2	
3	910400500010	Washer GB93-16	4	
4	910100400029	Bolt GB5786-M16x1.5x40-8.8	2	
5	255044010043	Cylinder Φ56xΦ45x995(H=2000)	2	Inc. 24-41
	255044010044	Cylinder Φ56xΦ45x1245(H=2500)	2	
	255044010055	Cylinder Φ56xΦ45x1495(H=3000)	2	
	255044010045	Cylinder Φ56xΦ45x1645(H=3300)	2	
	255044010046	Cylinder Φ56xΦ45x1745(H=3500)	2	
	255044010047	Cylinder Φ56xΦ45x1795(H=3600)	2	
	255044010048	Cylinder Φ56xΦ45x1845(H=3700)	2	
	255044010049	Cylinder Φ56xΦ45x2045(H=4000)	2	
	255044010050	Cylinder Φ56xΦ45x2195(H=4300)	2	
	255044010051	Cylinder Φ56xΦ45x2295(H=4500)	2	
	255044010052	Cylinder Φ56xΦ45x2595(H=5000)	2	
	255044010053	Cylinder Φ56xΦ45x2845(H=5500)	2	
255044010054	Cylinder Φ56xΦ45x3095(H=6000)	2		
6		Split pin 2.5x40	2	Belong to A▲
7		LH1623 chain	2	Belong to A▲
8		Joint	2	Belong to A▲
9		Split pin 3.2x30	2	Belong to A▲
10		Nut M18x1.5	2	Belong to A▲
11		Nut M18x1.5	2	Belong to A▲
12	255044020128	Fixing ring	2	
13	255044020129	Rubber bushing	2	
14	255044020130	Fixing seat	2	
15	910400100007	Washer GB97.1-16-200HV	4	
16	910400500007	Washer GB93-10	4	

Note: Spare parts will not be provided seperately



**Fig. 45 Lifting cylinder Lifting cylinder (standard mast)**

No.	Coding	Description	Qty.	Note
17	910300200002	Nut GB6171-M10x1.25-10	4	
18	910100300041	Bolt GB5783-M10x50-8.8	2	
19	910300100007	Nut GB6170-M10-10	2	
20		Joint	2	Belong to A▲
21	910400100008	Washer GB97.1-12-200HV	2	
22	910400500008	Washer GB93-12	2	
23	910100400009	Bolt GB5786-M12x1.25x25-8.8	2	
24		Piston rod	1	▲
25		Adjusting bushing 40.5x49xL2	1	▲
26		Circlip	1	▲
27		Bearing 50x20x2.5	1	▲
28		Catch 50x40x3	1	▲
29		Seal ring 50x40x6	1	▲
30		Piston rod	1	▲
31		Copper bushing	1	▲
32		Circlip	1	▲
33		Buffering ring	1	▲
34		Dust ringDKB40x52x7/10	1	▲
35		Seal ring 40x50x6	1	▲
36		Guide sleeve	1	▲
37		O ring 49.7x2.4	1	▲
38		Bearing 4030	1	▲
39		Cylinder	1	▲
40		Dowel pin	1	▲
41	255098510001	Seal kits(standard mast lifting cylinder)	2	Include 27.29.34.35.37

Note: Spare parts will not be provided separately

# Lifting cylinder (standard mast)

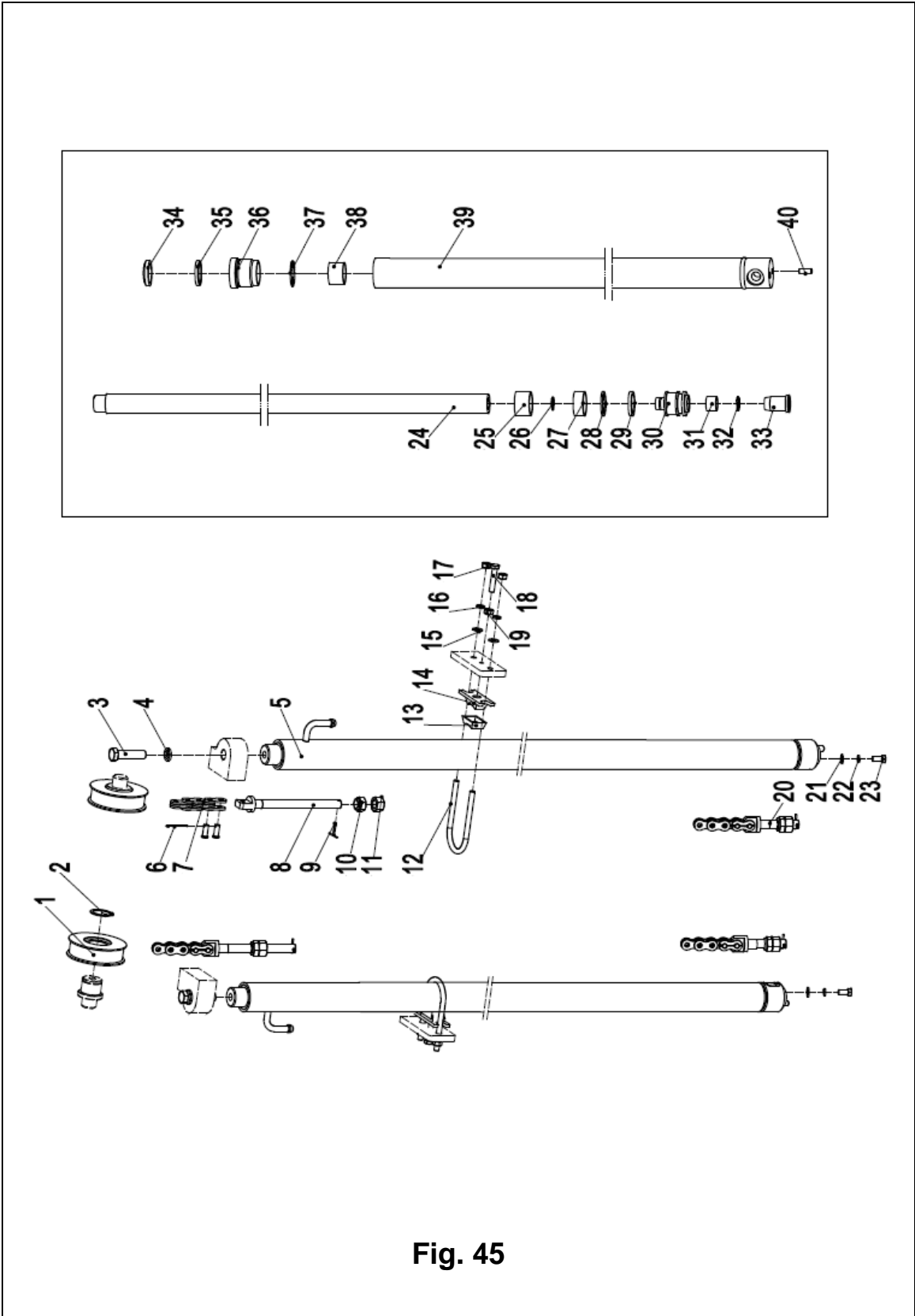


Fig. 45

**Fig. 45 Lifting cylinder (standard mast)**

No.	Coding	Description	Qty.	Note
A	255044010101	Lifting chain LH1623-77	2	H=3000
	255044010059	Lifting chain LH1623-57	2	H=2000
	255044010103	Lifting chain LH1623-67	2	H=2500
	255044010104	Lifting chain LH1623-83	2	H=3300
	255044010105	Lifting chain LH1623-87	2	H=3500
	255044010106	Lifting chain LH1623-89	2	H=3600
	255044010107	Lifting chain LH1623-91	2	H=3700
	255044010108	Lifting chain LH1623-99	2	H=4000
	255044010067	Lifting chain LH1623-105	2	H=4300
	255044010068	Lifting chain LH1623-109	2	H=4500
	255044010100	Lifting chain LH1623-121	2	H=5000
	255044010069	Lifting chain LH1623-131	2	H=5500
	255044010070	Lifting chain LH1623-141	2	H=6000

Note: Spare parts will not be provided separately



## Short lifting cylinder (two stage full free)

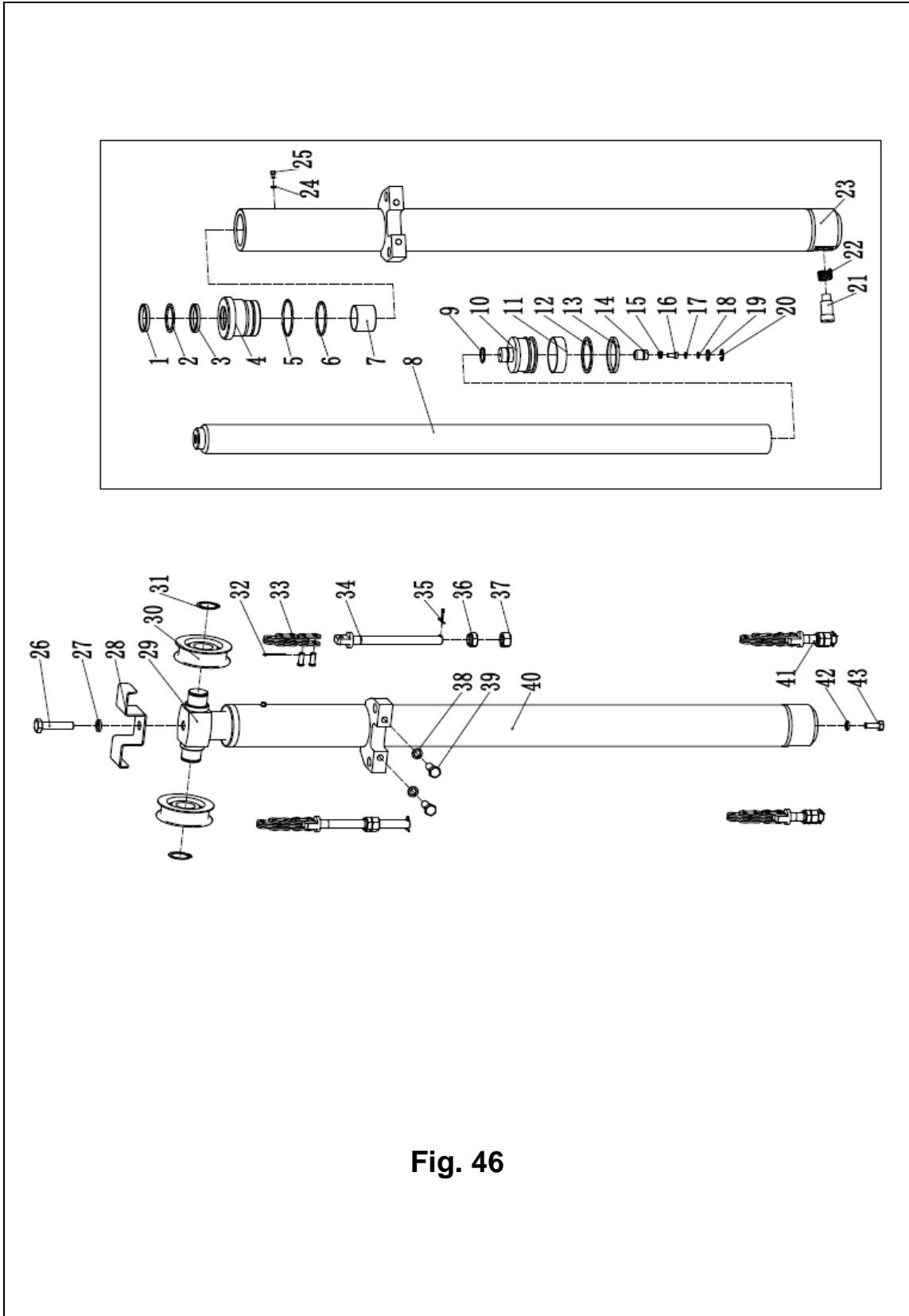


Fig. 46

**Fig. 46 Short lifting cylinder (two stage full free)**

No.	Coding	Description	Qty.	Note
A	255043510079	Lifting chain LH1623-37	2	H=2000
	255043510080	Lifting chain LH1623-47	2	H=2500
	255044010059	Lifting chain LH1623-55	2	H=3000
	255044510134	Lifting chain LH1623-61	2	H=3300
	255044010103	Lifting chain LH1623-65	2	H=3500
	255044510135	Lifting chain LH1623-59	2	H=3600
				H=3700
	255044510046	Lifting chain LH1623-67	2	H=4000
	255044510047	Lifting chain LH1623-73	2	H=4300
	255043510139	Lifting chain LH1623-77	2	H=4500
	255044010106	Lifting chain LH1623-87	2	H=5000
	255043510107	Lifting chain LH1623-99	2	H=5500
255043510106	Lifting chain LH1623-109	2	H=6000	
1		Dust ring 60x74x8/11	1	▲
2		Catch 60×70×3	1	▲
3		Seal ring 60×70×6	1	▲
4		Guide sleeve	1	▲
5		O ring 84.4x3.1	1	▲
6		O ring 77.5×3.55	1	▲
7		Bearing 6035	1	▲
8		Piston rod	1	▲
9		Circlip	1	▲
10		Piston assembly	1	▲
11		Back up ring D85x20x2.5	1	▲
12		Circlip 85x70x3	1	▲
13		Seal ring 85x70x9	1	▲
14		Valve bushing	1	▲
15		Spring	1	▲
16		Valve plug	1	▲
17		Catch	1	▲
18		O ring D15.8x2.4	1	▲
19		Circlip φ12	1	▲
20		Circlip φ22	1	▲
21		Slide valve	1	▲
22		Spring	1	▲

Note: Spare parts will not be provided separately

## Short lifting cylinder (two stage full free)

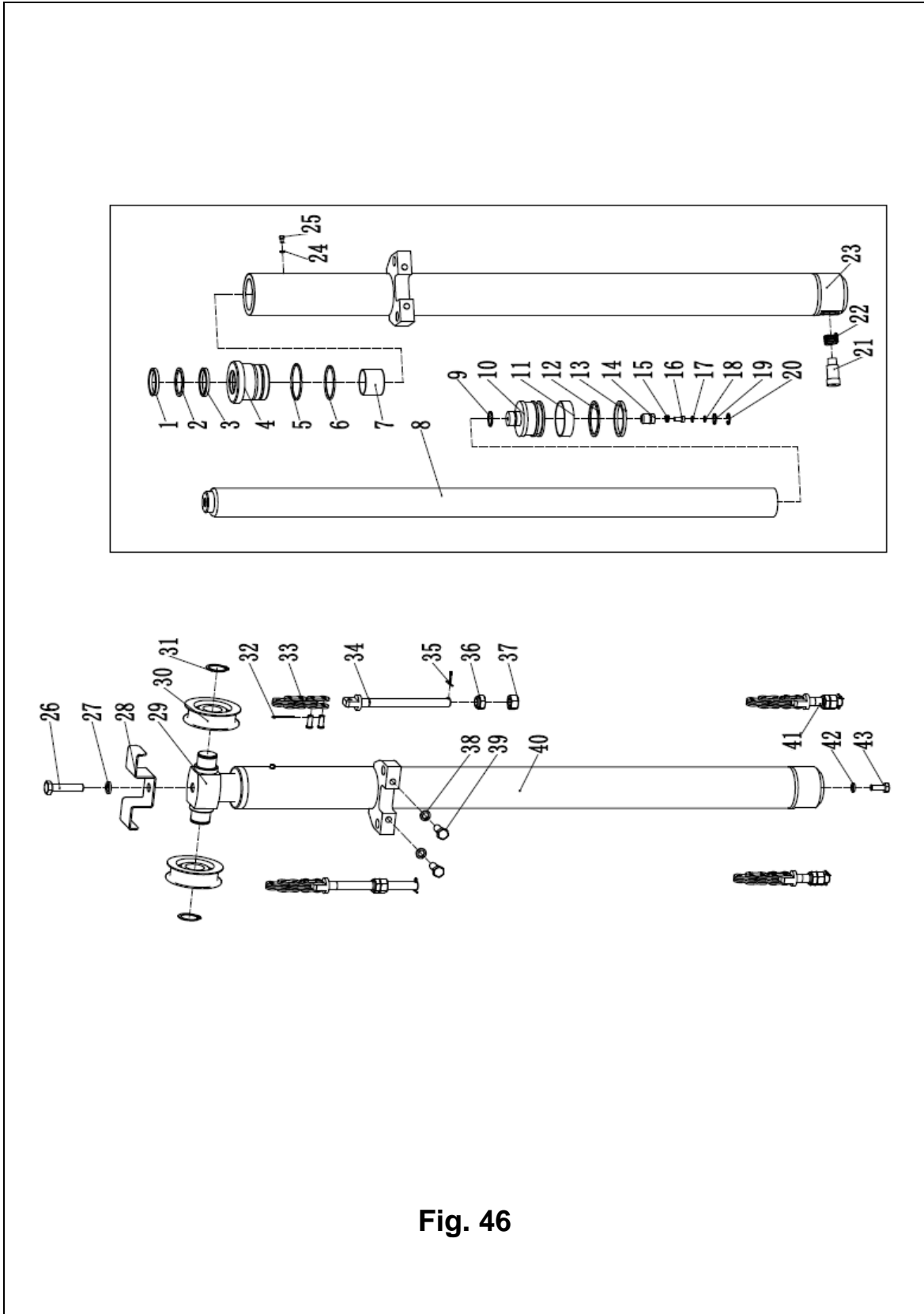


Fig. 46

**Fig. 46 Short lifting cylinder (two stage full free)**

No.	Coding	Description	Qty.	Note
23		Cylinder	1	▲
24		Spacer	1	▲
25		Screw M5x5	1	▲
26	910200200123	Screw GB70.1-M16x50-8.8	1	
27	910400500010	Washer GB93-16	1	
28	255043520020	Chain plate	1	
29	255043520006	Cylinder head	1	
30	940200500005	Chain wheel bearing 780708K-φ110xφ40x27	1	
31	910401300020	Circlip GB894.1-40	1	
32		Split pin 2.5x40	2	Belong to A ▲
33		LH1623 chain	2	Belong to A ▲
34		Joint	2	Belong to A ▲
35		Split pin 3.2x30	2	Belong to A ▲
36		Nut M18x1.5	2	Belong to A ▲
37		Nut M18x1.5	2	Belong to A ▲
38	910400500009	Washer GB93-14	2	
39	910100400022	Bolt GB5786-M14x1.5x40-8.8	2	
40	255043510068	Cylinder (M)φ85xφ60x772(H=3000)	1	Including No.1-25
	255043510066	Cylinder (M)φ85xφ60x522(H=2000)	1	
	255043510067	Cylinder (M)φ85xφ60x647(H=2500)	1	
	255043510069	Cylinder (M)φ85xφ60x847(H=3300)	1	
	255043510070	Cylinder (M)φ85xφ60x897(H=3500)	1	
	255043510071	Cylinder (M)φ85xφ60x922(H=3600)	1	
	255043510072	Cylinder (M)φ85xφ60x947(H=3700)	1	
	255043510073	Cylinder (M)φ85xφ60x1047(H=4000)	1	
	255043510074	Cylinder (M)φ85xφ60x1122(H=4300)	1	
	255043510075	Cylinder (M)φ85xφ60x1172(H=4500)	1	

Note: Spare parts will not be provided separately

## Short lifting cylinder (two stage full free)

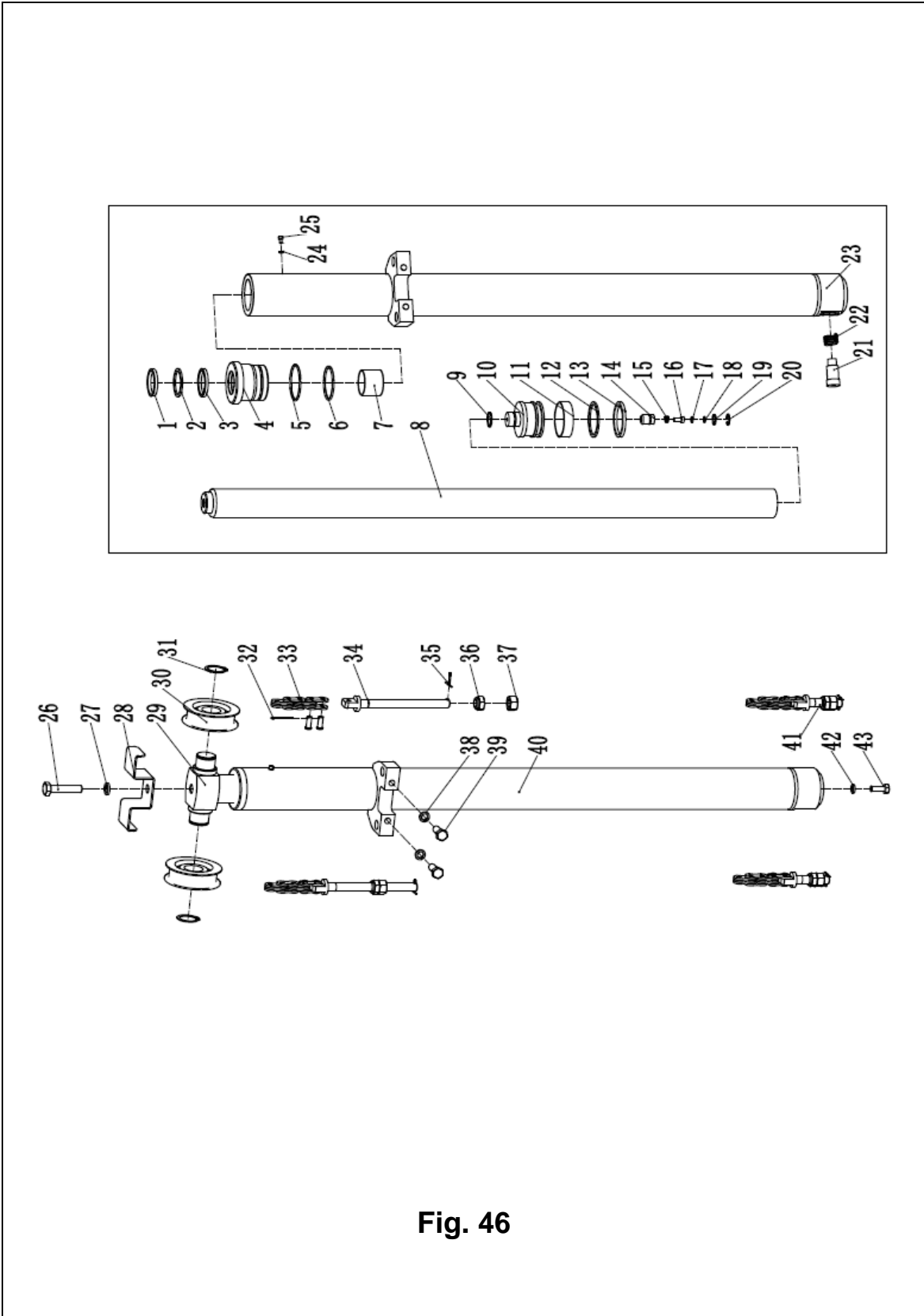


Fig. 46

**Fig. 46 Short lifting cylinder (two stage full free)**

No.	Coding	Description	Qty	Note
40	255043510076	Cylinder (M) $\Phi$ 85x $\Phi$ 60x1297(H=5000)	1	Inc.1-25
	255043510077	Cylinder (M) $\Phi$ 85x $\Phi$ 60x1447(H=5500)	1	
	255043510078	Cylinder (M) $\Phi$ 85x $\Phi$ 60x1572(H=6000)	1	
B	255098510004	Seal kits (two stage full free middle cylinder)	1	Inc.1.3.5.6.13.18
41		Joint	2	Belong to A ▲
42	910400500008	SpringWasherGB93-12	1	
43	910100400009	BoltGB5786-M12x1.25x25-8.8	1	

Note: Spare parts will not be provided seperately

# Lifting cylinder(two stage full free)

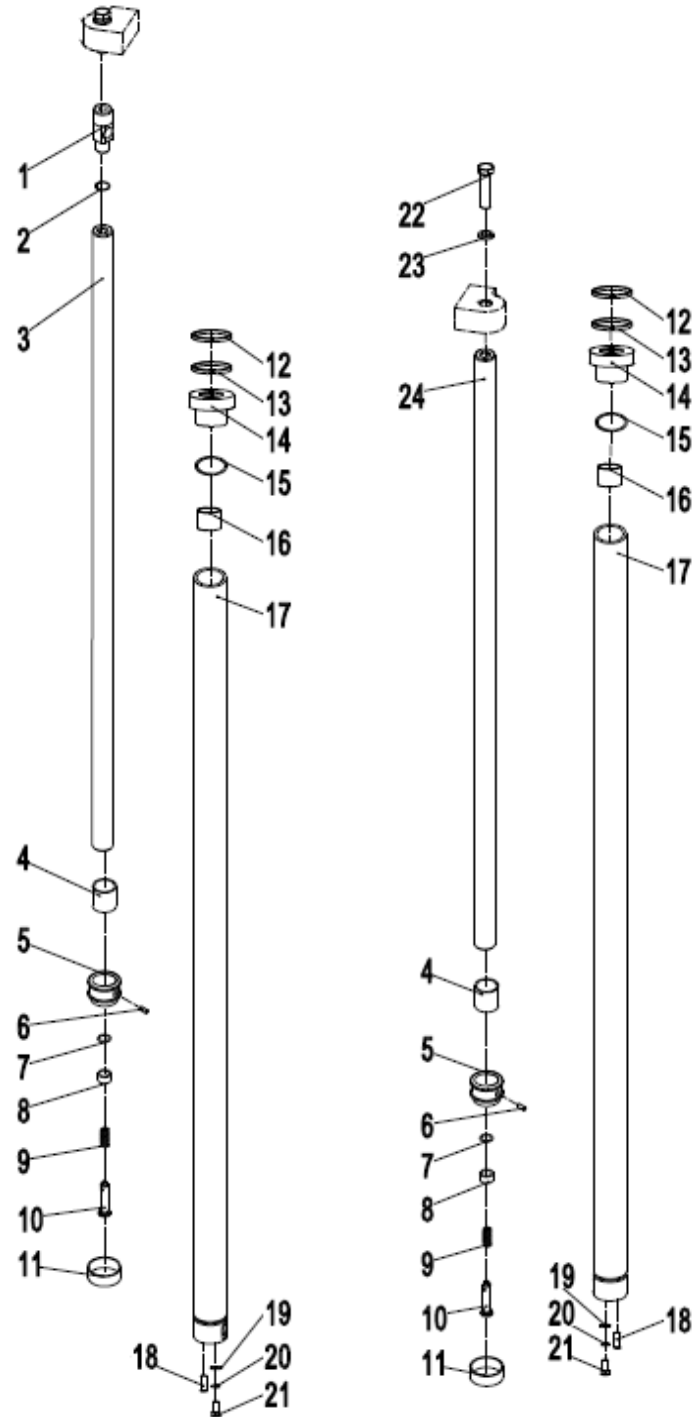


Fig. 47

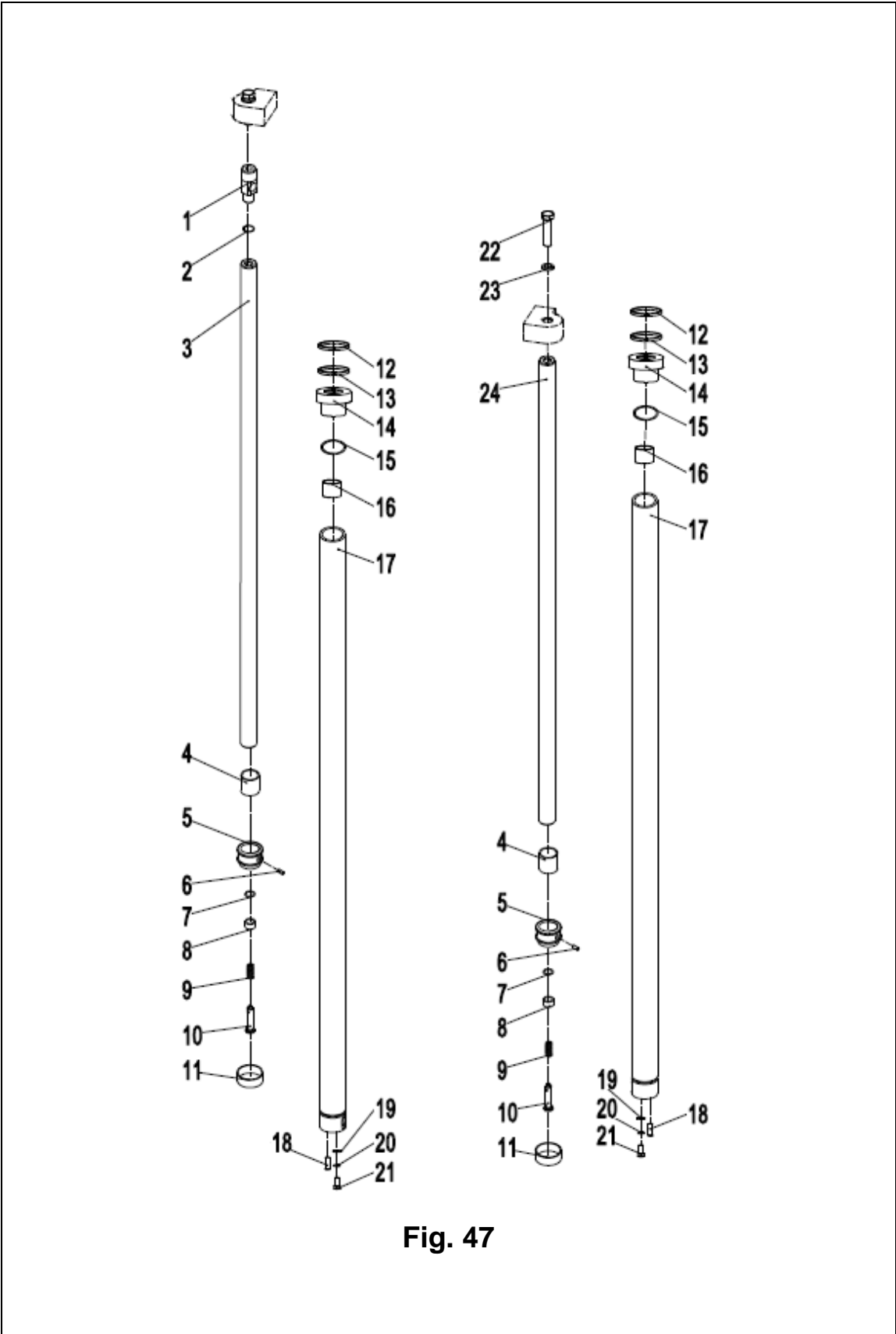
**Fig. 47 Lifting cylinder(two stage full free)**

No.	Coding	Description	Qty.	Note
A	255043510040	Cylinder (L)Φ50xΦ40x940(H=2000)	1	Inc.1-21
	255043510041	Cylinder (L)Φ50xΦ40x1190(H=2500)		
	255043510042	Cylinder (L)Φ50xΦ40x1440(H=3000)		
	255043510043	Cylinder (L)Φ50xΦ40x1590(H=3300)		
	255043510044	Cylinder (L)Φ50xΦ40x1690(H=3500)		
	255043510045	Cylinder (L)Φ50xΦ40x1740(H=3600)		
	255043510046	Cylinder (L)Φ50xΦ40x1790(H=3700)		
	255043510047	Cylinder (L)Φ50xΦ40x1890(H=4000)		
	255043510048	Cylinder (L)Φ50xΦ40x2040(H=4300)		
	255043510049	Cylinder (L)Φ50xΦ40x2140(H=4500)		
	255043510050	Cylinder (L)Φ50xΦ40x2390(H=5000)		
	255043510051	Cylinder (L)Φ50xΦ40x2590(H=5500)		
	255043510052	Cylinder (L)Φ50xΦ40x2840(H=6000)		
B	255043510053	Cylinder (R)Φ50xΦ40x940(H=2000)	1	Inc. 4-21.24
	255043510054	Cylinder (R)Φ50xΦ40x1190(H=2500)		
	255043510055	Cylinder (R)Φ50xΦ40x1440(H=3000)		
	255043510056	Cylinder (R)Φ50xΦ40x1590(H=3300)		
	255043510057	Cylinder (R)Φ50xΦ40x1690(H=3500)		
	255043510058	Cylinder (R)Φ50xΦ40x1740(H=3600)		
	255043510059	Cylinder (R)Φ50xΦ40x1790(H=3700)		
	255043510060	Cylinder (R)Φ50xΦ40x1890(H=4000)		
	255043510061	Cylinder (R)Φ50xΦ40x2040(H=4300)		
	255043510062	Cylinder (R)Φ50xΦ40x2140(H=4500)		
	255043510063	Cylinder (R)Φ50xΦ40x2390(H=5000)		
	255043510064	Cylinder (R)Φ50xΦ40x2590(H=5500)		
	255043510065	Cylinder (R)Φ50xΦ40x2840(H=6000)		
1		Connecting rod	1	▲
2		O ring 26x2.4	1	▲
3		Piston rod assembly	1	▲
4		Adjusting bushing	2	▲
5		Piston	2	▲

Note: Spare parts will not be provided separately



**Lifting cylinder(two stage full free)**



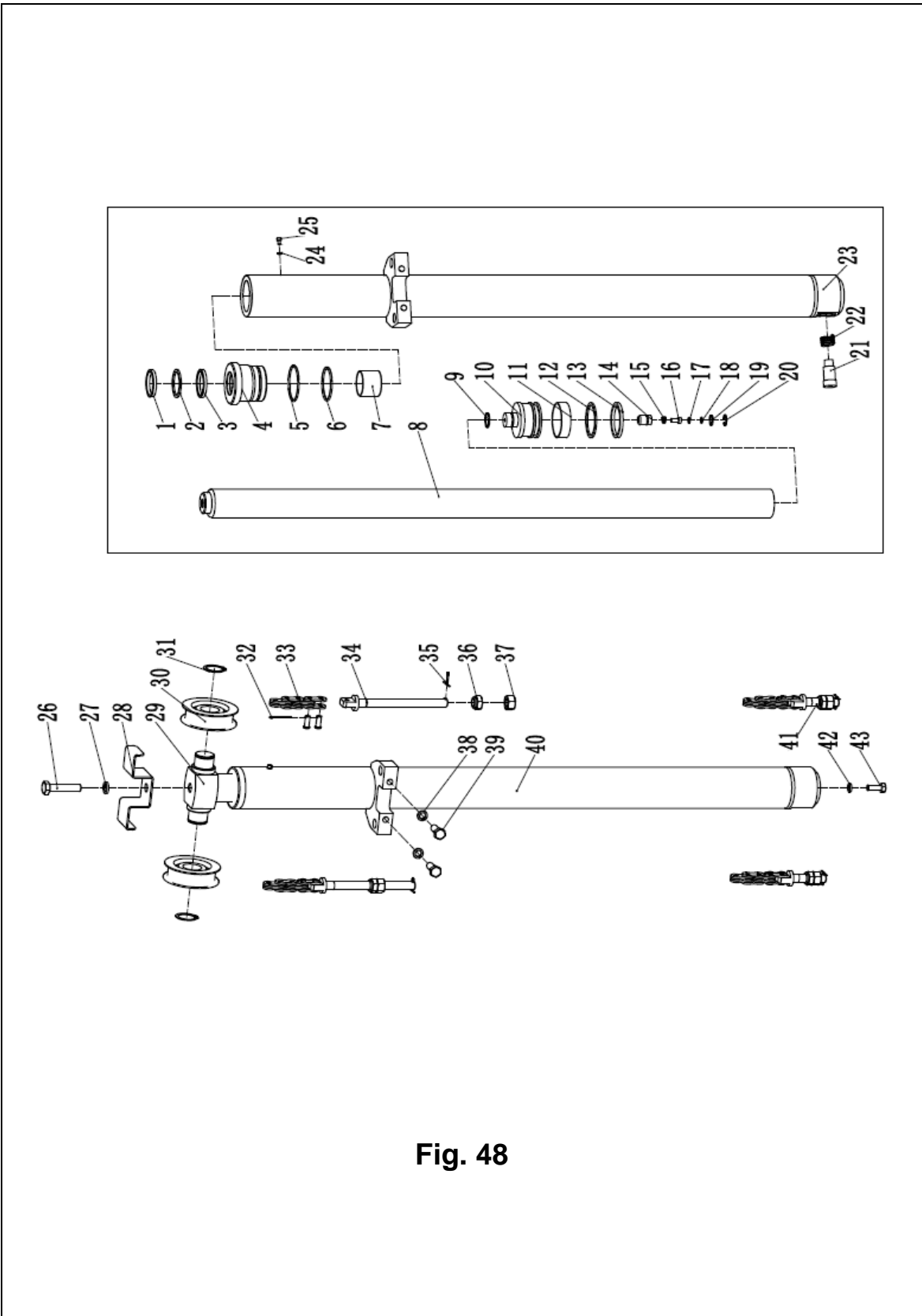
**Fig. 47**

**Fig. 47      Lifting cylinder(two stage full free)**

No.	Coding	Description	Qty.	Note
6		ScrewM4x6	2	▲
7		Circlip φ18	2	▲
8		Copper bushing	2	▲
9		Spring	2	▲
10		Buffer plunger	2	▲
11		Supporting ring 50x45x15	2	▲
12		Dust ring DKB40x52x7/10	2	▲
13		Seal ring 40x50x6	2	▲
14		Guide bushing	2	▲
15		O ring 49.7x2.4	2	▲
16		Bearing 4030	2	▲
17		Cylinder	2	▲
18		Dowel pin10x26	2	▲
19	910400100008	Washer GB97.1-12-200HV	2	
20	910400500008	Washer GB93-12	2	
21	910100400009	Bolt GB5786-M12x1.25x25-8.8	2	
22	910100400029	Bolt GB5786-M16x1.5x40-8.8	2	
23	910400500010	Washer GB93-16	2	
24		Plunger rod assembly	1	▲
25	255098510002	Seal kits (two stage full free lifting cylinder)	2	Inc. 2.12.13.15

Note: Spare parts will not be provided separately

**Short lifting cylinder (three stage full free)**



**Fig. 48**

**Fig. 48 Short lifting cylinder (three stage full free)**

No.	Coding	Description	Qty.	Note
<b>A</b>	255044510044	Lifting chain LH1623-47	2	H=4000
	255044510045	Lifting chain LH1623-53	2	H=4300
	255044010060	Lifting chain LH1623-55	2	H=4500
	255044510133	Lifting chain LH1623-59	2	H=4800
	255044510134	Lifting chain LH1623-63	2	H=5000
	255044510135	Lifting chain LH1623-61	2	H=5500
	255044510136	Lifting chain LH1623-71	2	H=6000
1		Dust ring 50x58x6.5	1	▲
2		Catch 50×60×3	1	▲
3		Seal ring 50×60×6	1	▲
4		Glide sleeve	1	▲
5		O ring 74.4x3.1	1	▲
6		O ring 69×3.55	1	▲
7		Bearing5040	1	▲
8		Piston rod	1	▲
9		Circlip	1	▲
10		Piston assembly	1	▲
11		Support ring 75x20x2.5	1	▲
12		Support ring 75x65x3	1	▲
13		Seal ring 75x65x6	1	▲
14		Valve cover	1	▲
15		Spring	1	▲
16		Valve plug	1	▲
17		Catch	1	▲
18		O ring D20x2.4	1	▲
19		Circlip 12	1	▲
20		Circlip 22	1	▲
21		Slide valve	1	▲
22		Spring2.3x15x48.5	1	▲
23		Cylinder	1	▲
24		Spacer	1	▲
25		Screw M5x5	1	▲
26	910200200123	Screw GB70.1-M16x50-8.8	1	

Note: Spare parts will not be provided separately



**Fig. 48 Short lifting cylinder (three stage full free)**

No.	Coding	Description	Qty.	Note
27	910400500010	SpringWasherGB93-16	1	
28	255043520020	Block chain plate	1	
29	255043520006	Cylinder head	1	
30	940200500005	Chain wheel bearing 780708K-φ110xφ40x27	2	
31	910401300020	Circlip GB894.1-40	2	
32		split pin2.5x40	2	Belong to A ▲
33		LH1623 chain	2	Belong to A ▲
34		Joint	2	Belong to A ▲
35		Split pin 3.2x30	2	Belong to A ▲
36		Nut M18x1.5	2	Belong to A ▲
37		Nut M18x1.5	2	Belong to A ▲
38	910400500009	Washer GB93-14	2	
39	910100400022	Bolt GB5786-M14x1.5x40-8.8	2	
40	255044510050	Cylinder (M)Φ75xΦ50x685(H=4000)	1	Inc. 1-25
	255044510051	Cylinder (M)Φ75xΦ50x748(H=4300)	1	
	255044510052	Cylinder (M)Φ75xΦ50x772(H=4500)	1	
	255044510053	Cylinder (M)Φ75xΦ50x822(H=4800)	1	
	255044510054	Cylinder (M)Φ75xΦ50x879(H=5000)	1	
	255044510055	Cylinder (M)Φ75xΦ50x995(H=5500)	1	
	255044510056	Cylinder (M)Φ75xΦ50x1112(H=6000)	1	
41		Joint	2	Belong to A ▲
42	910400500008	SpringWasherGB93-12	1	
43	910100400009	BoltGB5786-M12x1.25x25-8.8	1	
44	255098510005	Seal kits (three stage full free lifting cylinder)	1	Inc.1.3.5.6.13. 18

Note: Spare parts will not be provided separately

# Lifting cylinder(three stage full free)

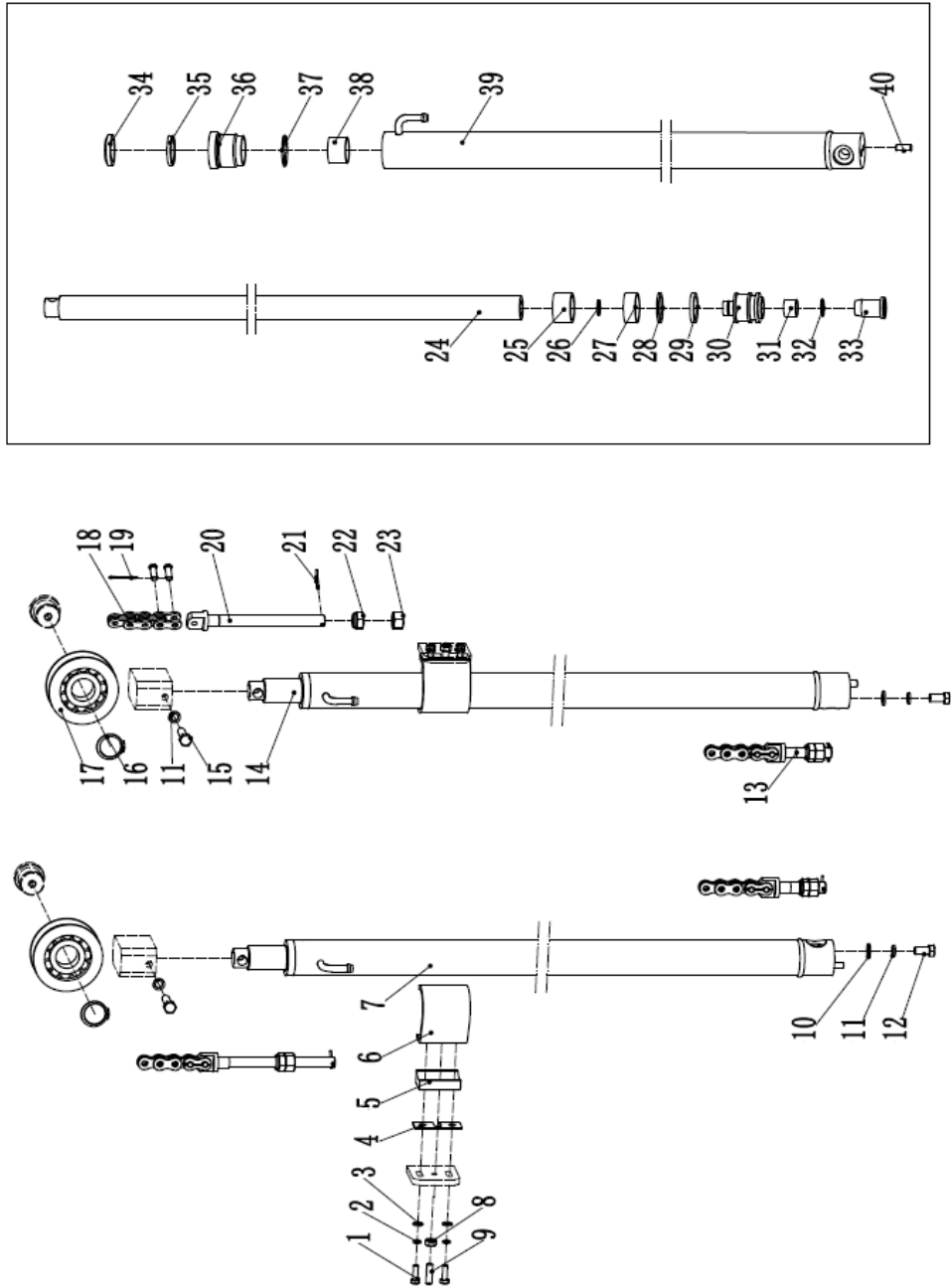


Fig. 49

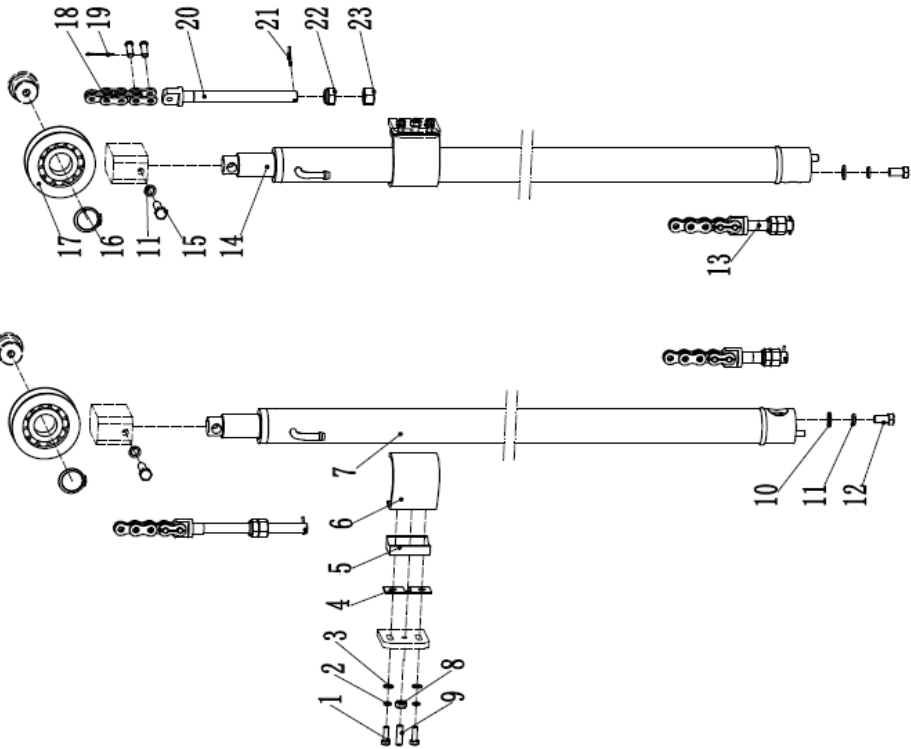
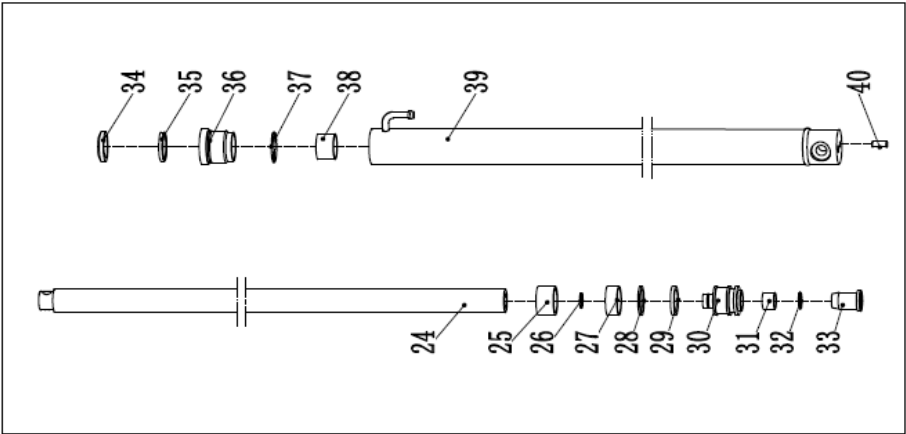
**Fig. 49 Lifting cylinder(three stage full free)**

No.	Coding	Description	Qty.	Note
1	910100300023	Bolt GB5783-M8x25-8.8	4	
2	910400500007	Washer GB93-10	4	
3	910400100007	Washer GB97.1-10-200HV	4	
4	255044520099	Rubber pad	2	
5	255044520097	Support block	2	
6	255044520098	Blendboard	2	
7	255043510004	Cylinder (L)Φ50xΦ40x1312(H=4000)	1	Inc. 24-40
	255043510005	Cylinder (L)Φ50xΦ40x1424(H=4300)	1	
	255043510006	Cylinder (L)Φ50xΦ40x1474(H=4500)	1	
	255043510007	Cylinder (L)Φ50xΦ40x1574(H=4800)	1	
	255043510008	Cylinder (L)Φ50xΦ40x1617(H=5000)	1	
	255043510009	Cylinder (L)Φ50xΦ40x1751(H=5500)	1	
	255043510010	Cylinder (L)Φ50xΦ40x1884(H=6000)	1	
8	910300100007	Screw M10x35-8.8	2	
9	941100100003	Nut GB6170-M10-10	2	
10	910400100008	Washer GB97.1-12-200HV	2	
11	910400500008	Washer GB93-12	4	
12	910100400009	Bolt GB5786-M12x1.25x25-8.8	2	
13		Joint	2	Belong to A ▲
14	255043510011	CyRinder (R)Φ50xΦ40x1312(H=4000)	1	Inc. 24-40
	255043510012	CyRinder (R)Φ50xΦ40x1424(H=4300)	1	
	255043510013	CyRinder (R)Φ50xΦ40x1474(H=4500)	1	
	255043510014	CyRinder (R)Φ50xΦ40x1574(H=4800)	1	
	255043510015	CyRinder (R)Φ50xΦ40x1617(H=5000)	1	
	255043510016	CyRinder (R)Φ50xΦ40x1751(H=5500)	1	
	255043510017	CyRinder (R)Φ50xΦ40x1884(H=6000)	1	
15	910100300053	Bolt GB5783-M12x45-8.8	2	
16	910401300020	Circlip GB894.1-40	2	
17	940200500005	Chain wheel bearing 780708K-φ110xφ40x27	2	

Note: Spare parts will not be provided separately



**Lifting cylinder (three stage full free)**



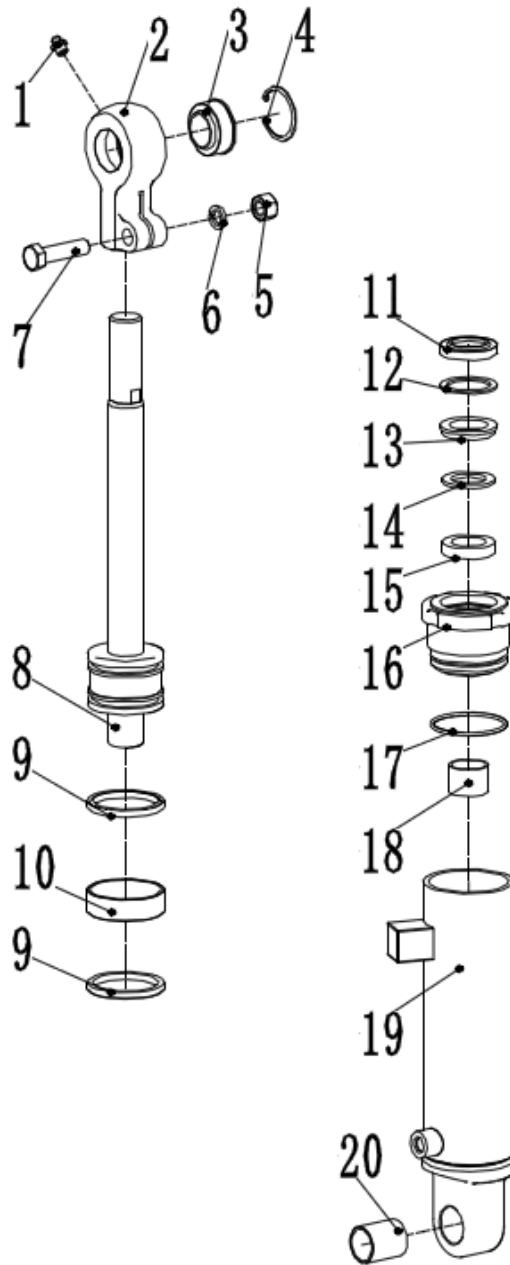
**Fig. 49**

**Fig. 49 Lifting cylinder (three stage full free)**

No.	Coding	Description	Qty.	Note
18		LH1623 chain	2	Belong to A ▲
19		Split pin 2.5x40	2	Belong to A ▲
20		Joint	2	Belong to A ▲
21		Split pin 3.2x30	2	Belong to A ▲
22		Nut M18x1.5	2	Belong to A ▲
23		Nut M18x1.5	2	Belong to A ▲
24		Piston rod	1	▲
25		Adjusting bushing 40.5x49xL2	1	▲
26		Circlip $\phi$ 24x2	1	▲
27		Bearing 50x20x2.5	1	▲
28		Catch 50x40x3	1	▲
29		Seal ring 50x40x6	1	▲
30		Piston	1	▲
31		Copper bushing	1	▲
32		Circlip $\phi$ 26.5x2		▲
33		Buffer ring	1	▲
34		Dust ring DKB40x52x7/10	1	▲
35		Seal ring 40x50x6	1	▲
36		Guide bushing	1	▲
37		O seal ring 49.7x2.4	1	▲
38		Bearing 4030	1	▲
39		Cylinder	1	▲
40		Dowel pin D10x26	1	▲
41	255098510003	Seal kits(three stage full free lifting cylinder)	2	Inc.27.29.34.35.37
A	255044510046	Lifting chainLH1623-69	2	H=4000
	255044510138	Lifting chainLH1623-73	2	H=4300
	255044510047	Lifting chainLH1623-75	2	H=4500
	255043510139	Lifting chainLH1623-79	2	H=4800
	255044510140	Lifting chainLH1623-85	2	H=5000
	255044510048	Lifting chainLH1623-95	2	H=5500
	255044510049	Lifting chainLH1623-103	2	H=6000

Note: Spare parts will not be provided separately

# Tilted cylinder



**Fig. 50**

**Fig. 50 Tilted cylinder**

No.	Coding	Description	Qty.	Note
A	255020510001	Tilted cylinder (6/10)	1	Inc. 1-20
	255020510002	Tilted cylinder (6/6)	1	
	255020510003	Tilted cylinder (3/6)	1	
	255020510004	Tilted cylinder (3/3)	1	
B	255020510005	Tilted cylinder (6/10)	1	Inc. 1-20
	255020510006	Tilted cylinder (6/6)	1	
	255020510007	Tilted cylinder (3/6)	1	
	255020510008	Tilted cylinder (3/3)	1	
1		Grease mouth Z1/8	2	▲
2	255098520501	Earring	2	
3		Bearing GE30ES	2	▲
4		Circlip 47	2	▲
5		NutM14	2	▲
6		Washer14	2	▲
7		BoltM14x55	2	▲
8		Piston body assembly	2	▲
9		Yx seal ring D70x60x6	2	▲
10		Support ring D70x20x2.5	2	▲
11		Dust ring 52x32x8/9	2	▲
12		Circlip 52	2	
13		Circlip	2	▲
14		Catch 48x32x3	2	▲
15		Useal ring 48x32x10	2	▲
16		Guide sleeve	2	▲
17		O seal ring 70x3.1	2	▲
18		Bearing 3225	2	▲
19		Cylinder barrel assembly	2	▲
20		Bearing 3040	2	▲
C	255098510006	Seal kits (tlted cylinder)	2	Inc.9-11.15.17

Note: ▲ Spare parts will not be provided separately

# Electric system

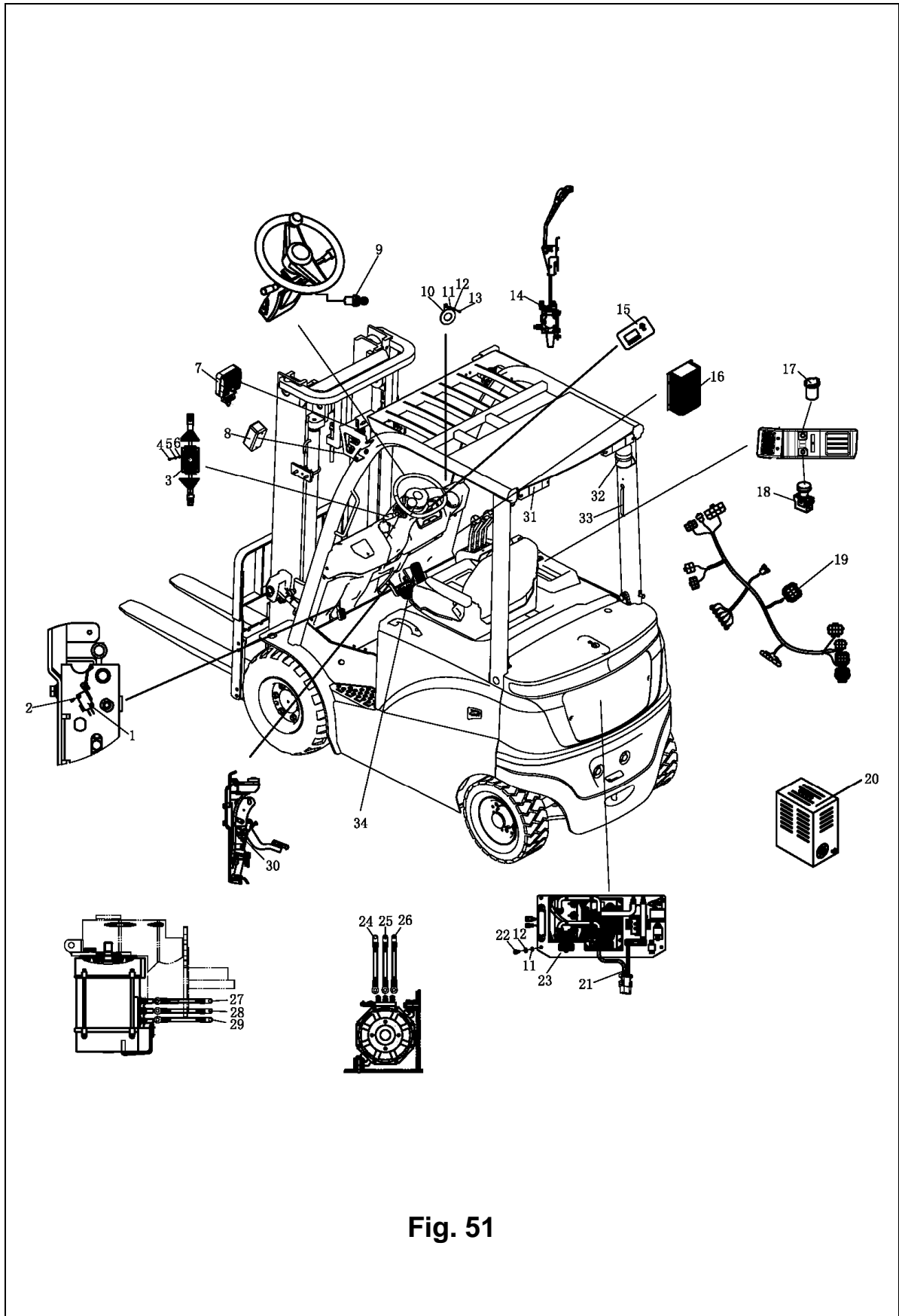


Fig. 51

**Fig. 51** Electric system

No.	Coding	Description	Qty.	Note
1	920200300009	Micro switch RV-166-1C25	1	
2	910400100003	Washer GB97.1-4-200HV	2	
3	920200800013	Combination switch JK361B-1003	1	
4	910200500038	Screw GB818-M5x12-4.8	4	
5	910400500004	Washer GB93-5	8	
6	910400100004	Washer GB97.1-5-200HV	8	
7	922000100001	Light PDL-LXZM-1	2	
8	922000100002	Light PDL-LXXD-1	2	
9	920200200002	Key switch KEYA	1	
10	920500100001	Horn 125-DC24V	1	
11	910400100005	Washer GB97.1-6-200HV	1	
12	910400500005	Washer GB93-6	1	
13	910200500051	Screw GB818-M6x12-4.8	1	
14	920200300004	Micro switch RZ-15GQ22-B3	3	
15	921100100011	Indicator 3501-12-80V	4	
16	921900100001	Transducer DC48V 24V	1	
17	921900100004	Transducer DC24V 5V	4	
18	920200100002	Emergency switch CE4T-10R-01	1	
19	255033010001	Truck body harness (1234SE+AC)	1	
20	921000200079	Charger SN48V80A	1	600\630Ah Battery
	921000200080	Charger SN48V80A	1	600\630Ah Battery
	921000200081	Charger SN48V80A	1	600\630Ah Battery
	921000200082	Charger SN48V80A	1	600\630Ah Battery
	921000200083	Charger SN48V80A	1	600\630AhBattery

# Electric system

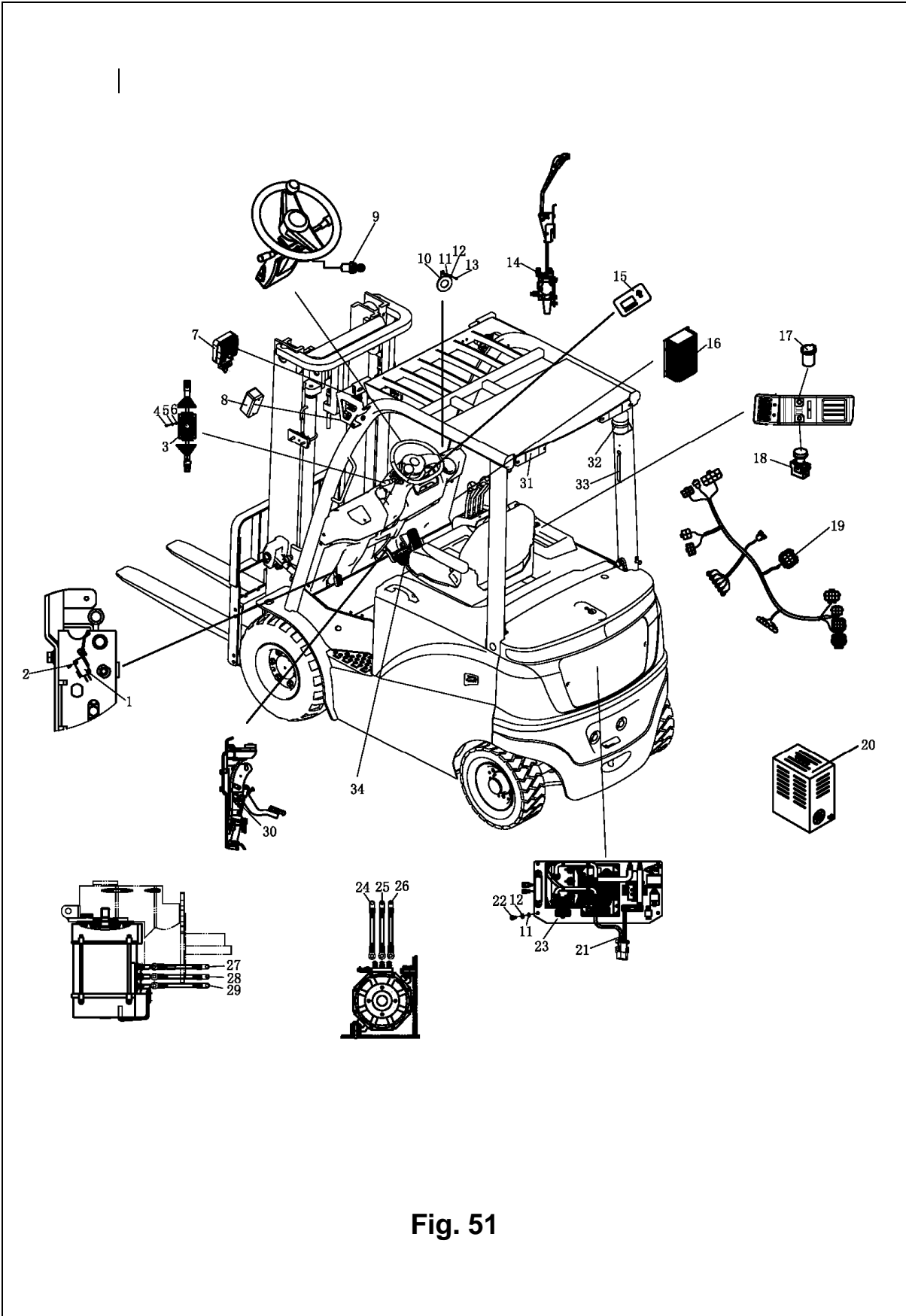


Fig. 51

**Fig. 51 Electric system**

No.	Coding	Description	Qty.	Note
20	921000200084	Charger SN48V80A	1	600\630AhBattery
	921000200097	Charger SN48V100A	1	700\770AhBattery
	921000200098	Charger SN48V100A	1	700\770AhBattery
	921000200099	Charger SN48V100A	1	700\770AhBattery
	921000200100	Charger SN48V100A	1	700\770AhBattery
	921000200101	Charger SN48V100A	1	700\770AhBattery
	921000200102	Charger SN48V100A	2	700\770AhBattery
21	255033010008	Cable	1	
22	910200200058	ScrewGB70.1-M8x25-8.8	1	
23	255033010009	Electric control (1234E+AC)	1	
24	255033010011	Cable-U2-35-6-8-1350	1	
25	255033010012	Cable-V2-35-6-8-1300	1	
26	255033010013	Cable-W2-35-6-8-1250	1	
27	255033010005	Cable-U1-35-6-8-3100	1	
28	255033010006	Cable-V1-35-6-8-3050	1	
29	255033010007	Cable-W1-35-6-8-3000	1	
30	920201000002	Foot pedal JK231	1	
31	922000100003	Light PDL-LXHW-2	2	
32	922000100004	Light PDL-LXJD-01Y	1	
33	255033510001	Rear lever switch	1	
34	921700100005	Accelerator FZ3-532-133	1	



## Electronic control element (CURTIS)

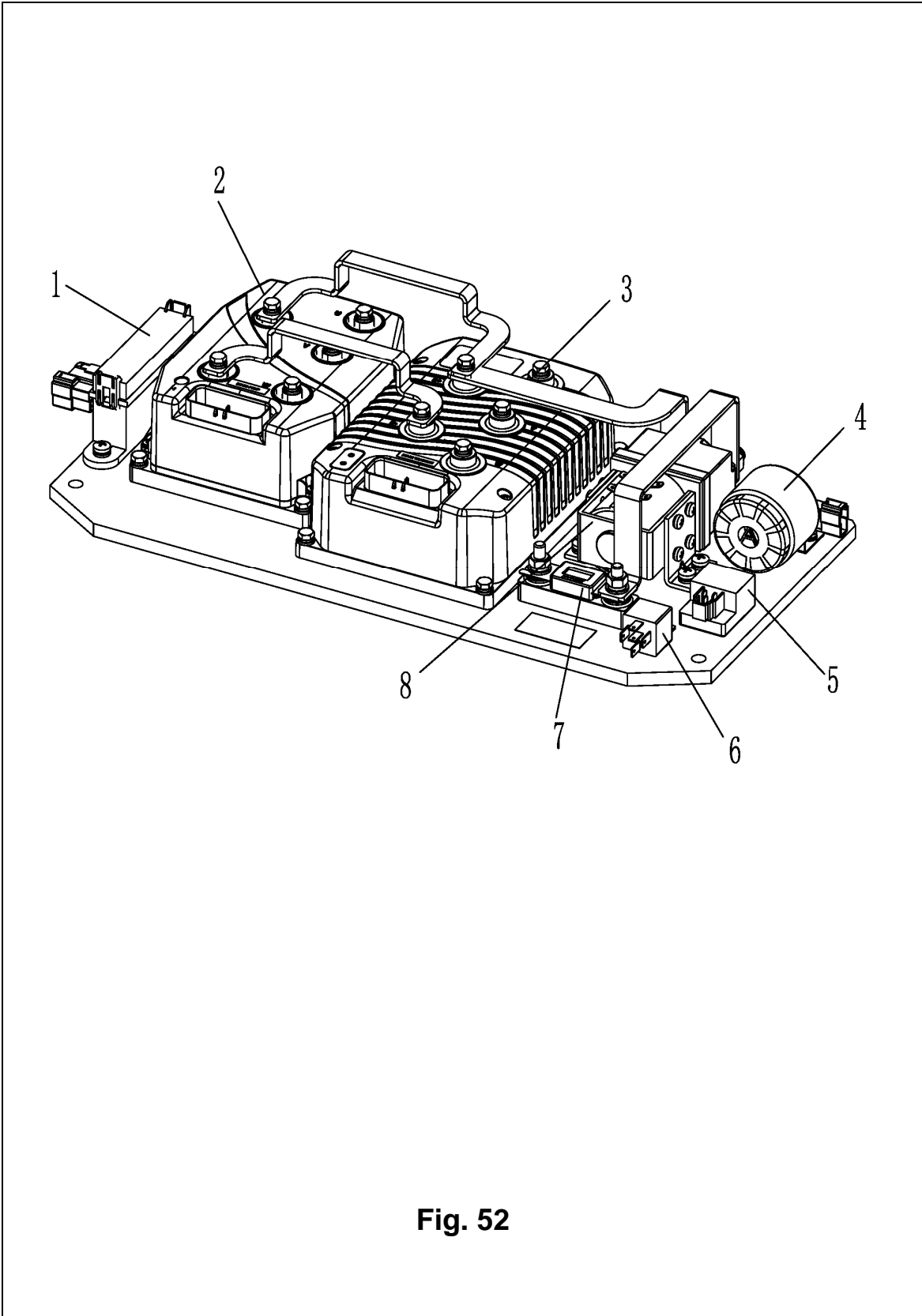


Fig. 52

**Fig. 52 Electronic control element (CURTIS)**

No.	Coding	Description	Qty.	Note
1	920100400008	Fuse box BX2081X	1	
2	921400100043	Controller 1232SE-5321	1	
3	921400100042	Controller 1234SE-5421	1	
4	920500100002	Buzzer DJB-24B	1	
5	922000100005	Light SG252-24V	1	
6	920800100002	Relay DC24V-HFV4	1	
7	920100100014	Fuse 500A	1	
8	920700100005	Contactora DC48C-SW200-262	1	

## Power connector assembly

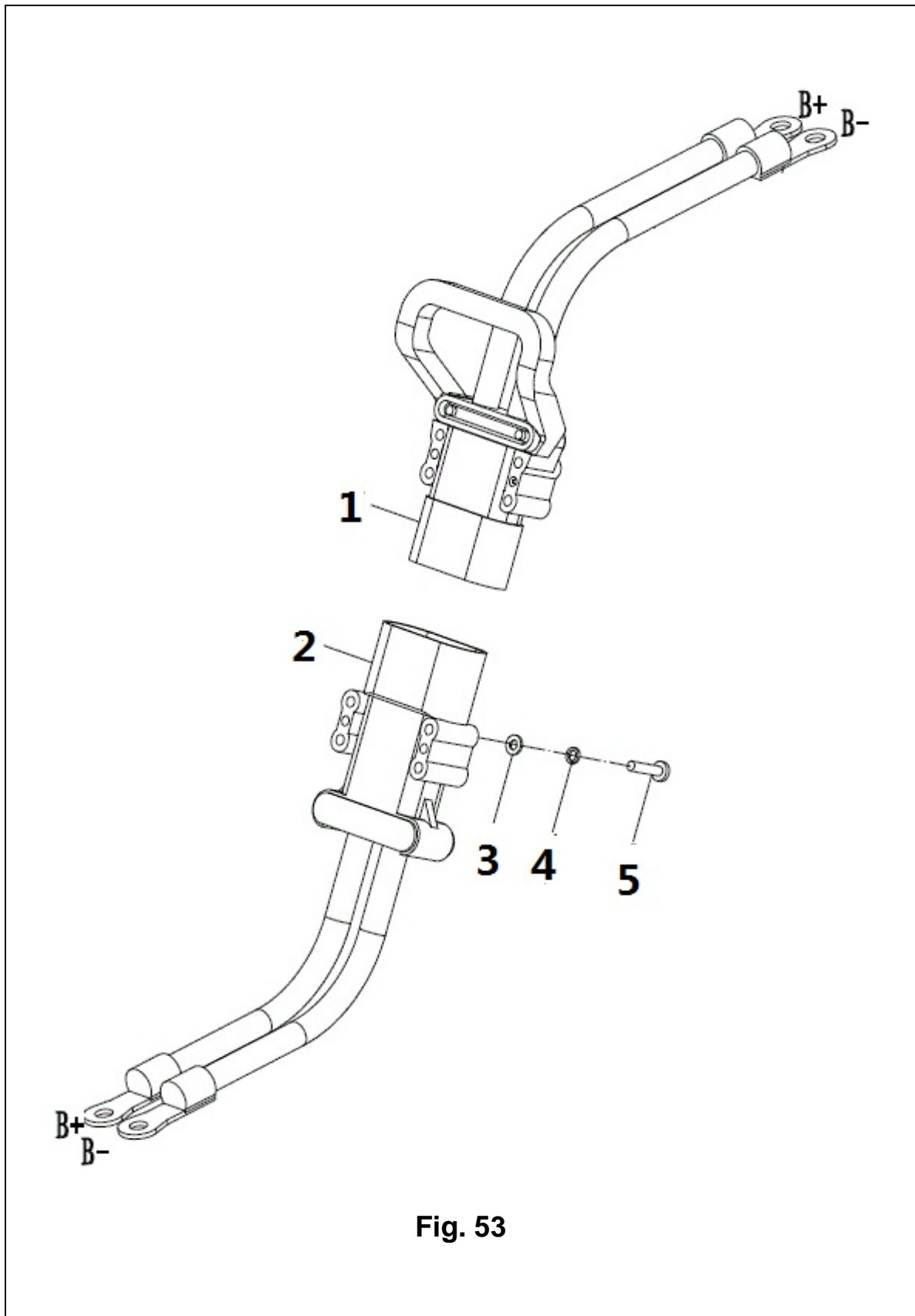


Fig. 53

**Fig. 53** Power connector assembly

No.	Coding	Description	Qty.	Note
1	255098513301	Batteryconnecting cable	1	
2	255033010008	Battery cable	1	
3	910400100005	Washer GB97.1-6-200HV	4	
4	910400500005	Washer GB93-6	4	
5	910200200046	Screw GB70.1-M6x60-8.8	4	

# Labels

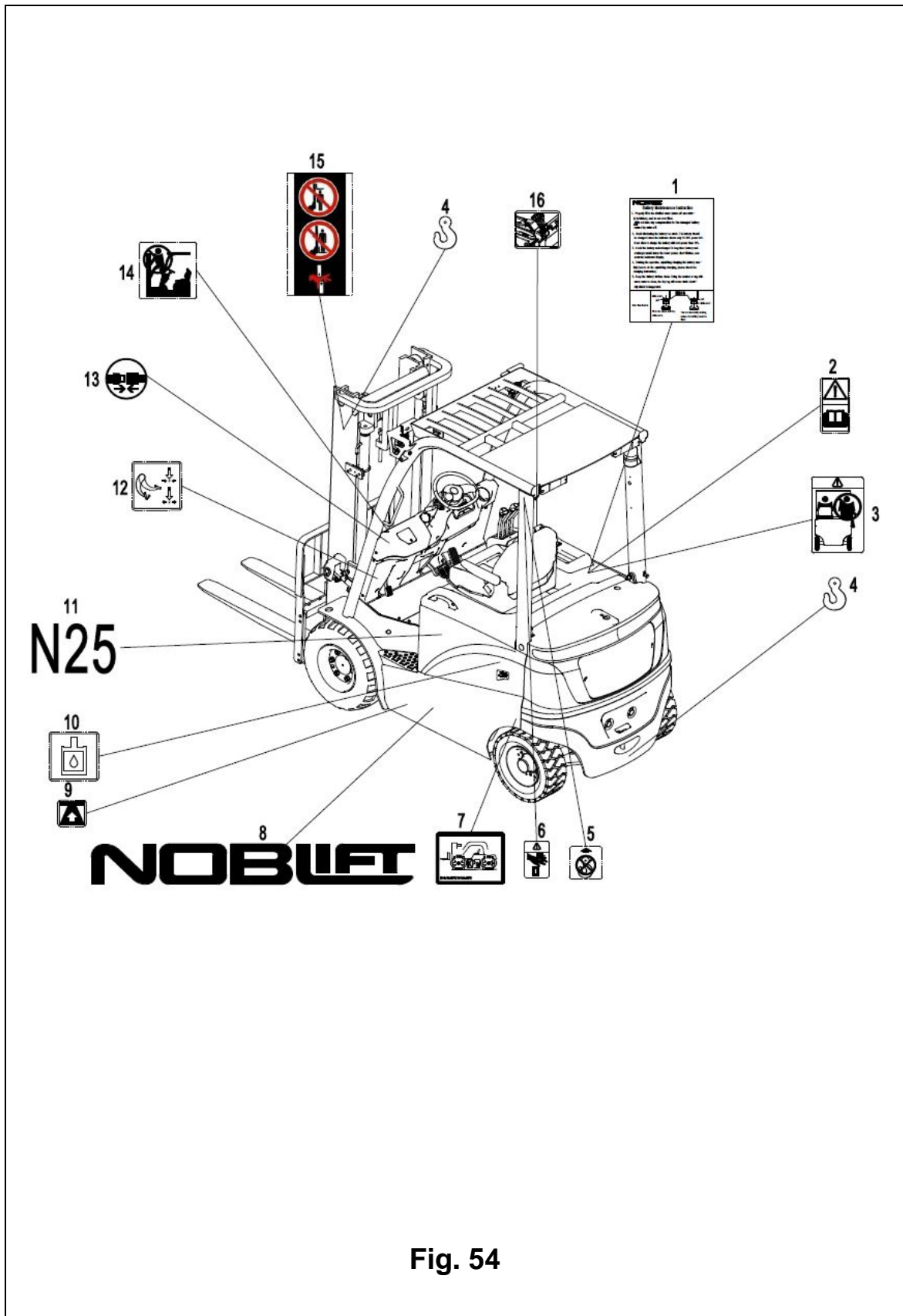


Fig. 54

**Fig. 54****Labels**

---

No.	Coding	Description	Qty.	Note
A	2550985147502	English labeling assembly	1	
	2545985147502	English labeling assembly	1	
1	255047020007	Battery maintenance	1	
2	941200300011	Warning label	1	
3	255047020013	"No passengers" decal	1	
4	255047020011	Crane hook label	3	
5	255047020008	No crane label	2	
6	941200100027	Squeeze hand stick	2	
7	255047020002	Tyre pressure label	2	
8	255047020022	Noblelift logo	2	
9	255047020006	Supporting point label	1	
10	255047020004	Hydraulic oil sticker	1	
11	255047020007	Product model sticker	2	
12	255047020001	Foot brake sticker	1	
13	255047020012	Safety belt sticker	1	
14	255047020009	No climbing	1	
15	941200100004	Safety label	2	
16	255047020006	Battery cover open sticker	1	

# Data nameplate

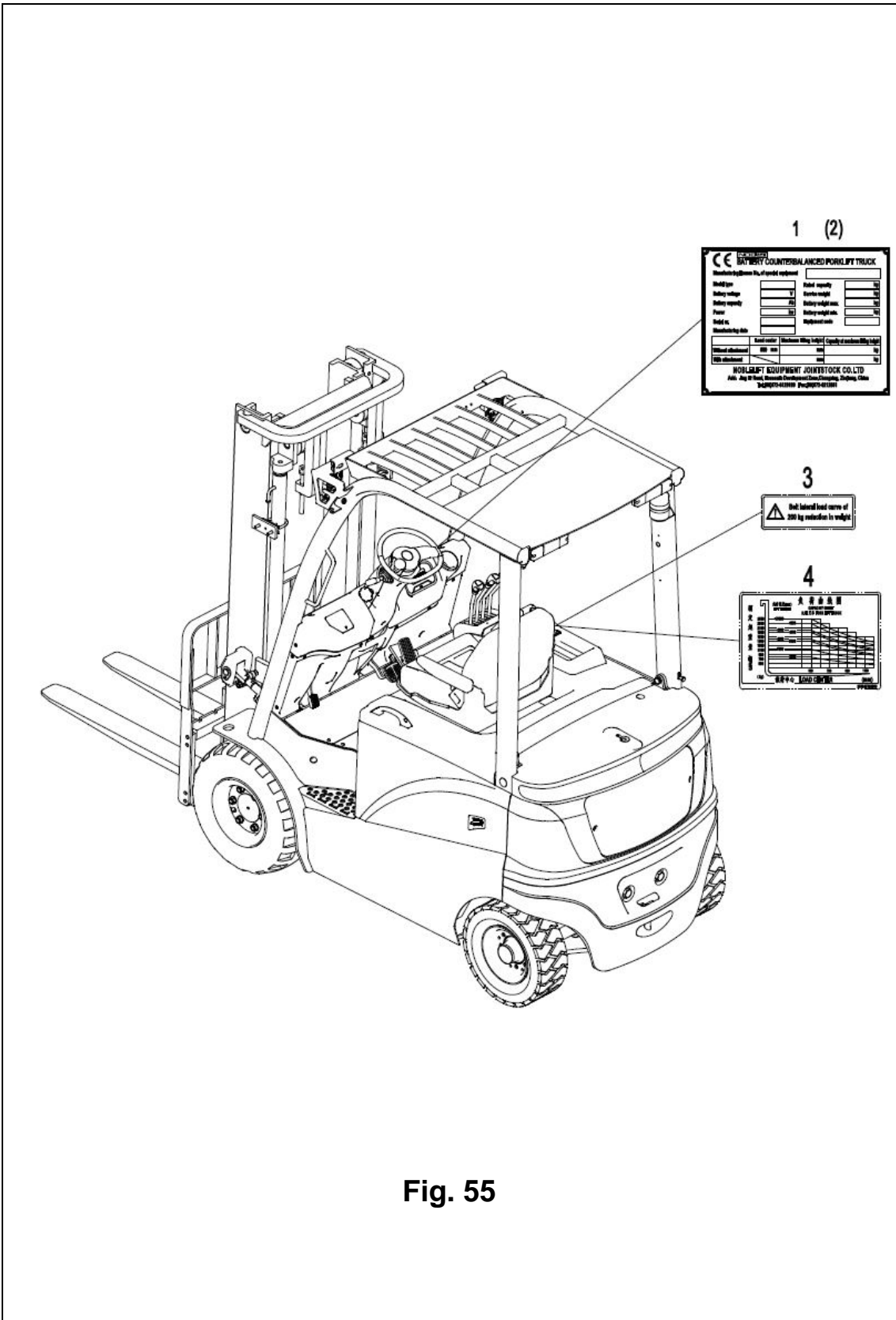


Fig. 55

**Fig. 55** **Data nameplate**

---

No.	Coding	Description	Qty.	Note
1	255047520002	Nameplate	1	
2	910500600002	Rivet GB827-3x10	4	
3	255047520005	Lose weight sticker with sideway	1	
4	255047520003	Load capacity diagram	1	



# NOBLELIFT

**NOBLELIFT INTELLIGENT EQUIPMENT CO.,LTD.**

Service hotline: 4008-836115

Wechat: nuolijixie

Postcode: 313100 email address: [info@noblelift.com](mailto:info@noblelift.com)

Website: [www.noblelift.com](http://www.noblelift.com)

Version: Sep,2018

