

NOBLELIFT

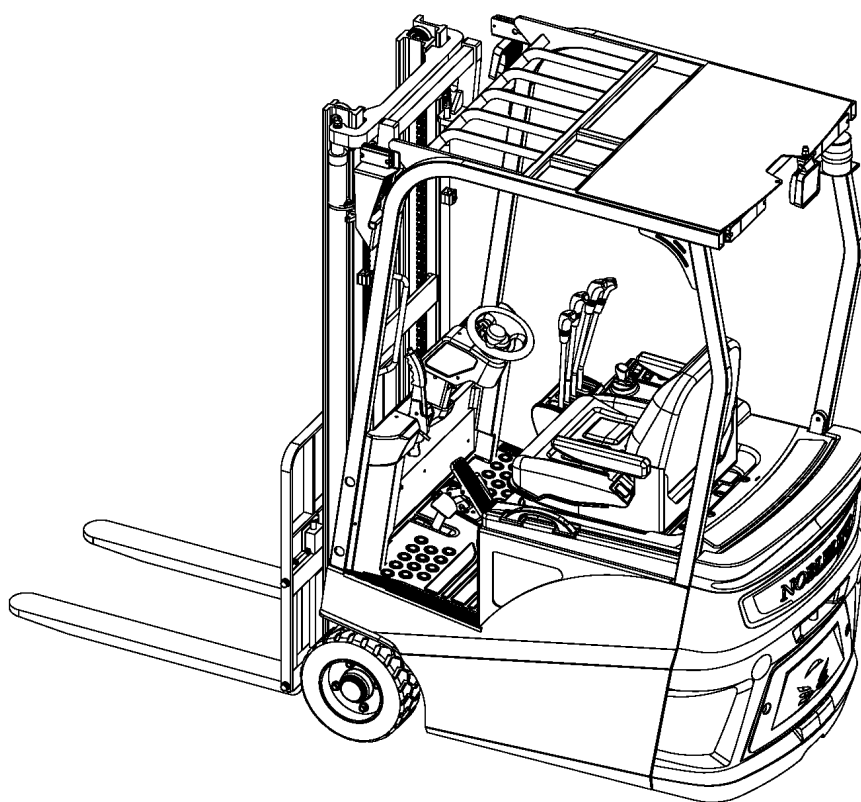


FE3R08-12-BPT-001

Warning

Operators should read and understand this manual and all warning labels on the forklift before using the forklift!

Keep the manual for future reference!



Parts List

FE3R08-12 N SERIES

Battery Counterbalanced Forklift Truck

Noblelift Equipment Joint Stock Co.,Ltd

Foreword

Welcome to use Noblelift counter balanced fork lift truck!

- 1、 This spare parts list includes all the parts of FE3R08-12 N series forklift truck.
- 2、 The user can refer the list according to the catalogue page.
- 3、 When repairing or replacing the spare parts, please use correct spare parts to ensure the truck quality.
- 4、 When ordering parts, please write clearly the truck type, manufacturing number, parts serial number and order quantity.

Note: ▲ Do not provide spare parts separately.

- 5、 In order to further optimize the product, we reserve the right to change our products. and without prior notice to you, please understand. If you want to know the latest product information, you can get the latest information from the company's sales and spare parts company.

contents

	Introduction.....	1
1	Driver steering system (FE3R12).....	4-5
2	Driver steering system (FE3R08-10).....	6-7
3	Lifting moter and oil tank installation.....	8-9
4	Steering device.....	10-11
5	Battery cover and installation.....	12-13
6	Multiple valve cover mounting.....	14-15
7	Instrument frame guard.....	16-17
8	Right door mounting	18-19
9	Balance weight installation.....	20-21
10	Parking brake installation.....	22-23
11	Roof holder and installation	24-25
12	Frame installation.....	26-27
13	Foot brake control.....	28-29
14	Foot brake control line.....	30-31
15	Front floor and installation.....	32-33
16	Front wheel assembly.....	34-35
17	Multi-way reversing valve operation (dual).....	36-37
18	Multi-way reversing valve operation (triple).....	38-39
19	Multi-way reversing valve operation (quad).....	40-41
20	Hydraulic system.....	42-43
21	Lifting pipeline (standard mast).....	44-45
22	Lifting pipeline (two-stage full free mast).....	46-47
23	Lifting pipeline (three-stage full fre mast).....	48-51
24	Side shifter and piping installation (standard mast).....	52-53
25	Side shifter and piping installation (two-stage full free mast).....	54-57
26	Side shifter and piping installation (three-stage full free mast).....	58-61
27	Fork.....	62-63
28	Fork rack (standard mast).....	64-65

29	Fork rack (two-stage full free mast).....	66-67
30	Fork rack (three-stage full free mast).....	68-69
31	Mast (standard mast).....	70-73
32	Mast (two-stage full free mast).....	74-77
33	Mast (three-stage full free mast).....	78-83
34	Lifting oil cylinder (standard mast).....	84-85
35	Short lifting oil cylinder (two-stage full free mast).....	86-87
36	Lifting oil cylinder (two-stage full free mast).....	88-91
37	Short lifting oil cylinder (two-stage full free mast).....	92-93
38	Lifting oil cylinder (three-stage full free mast).....	94-95
39	Tilting cylinder.....	96-97
40	Sign installation	98-99
41	Data plate	100-101
42	Electrical system.....	102-105
43	Electronic components (FE3R12).....	106-107
44	Electronic components (FE3R08-10).....	108-109

Drive steering system (FE3R12)

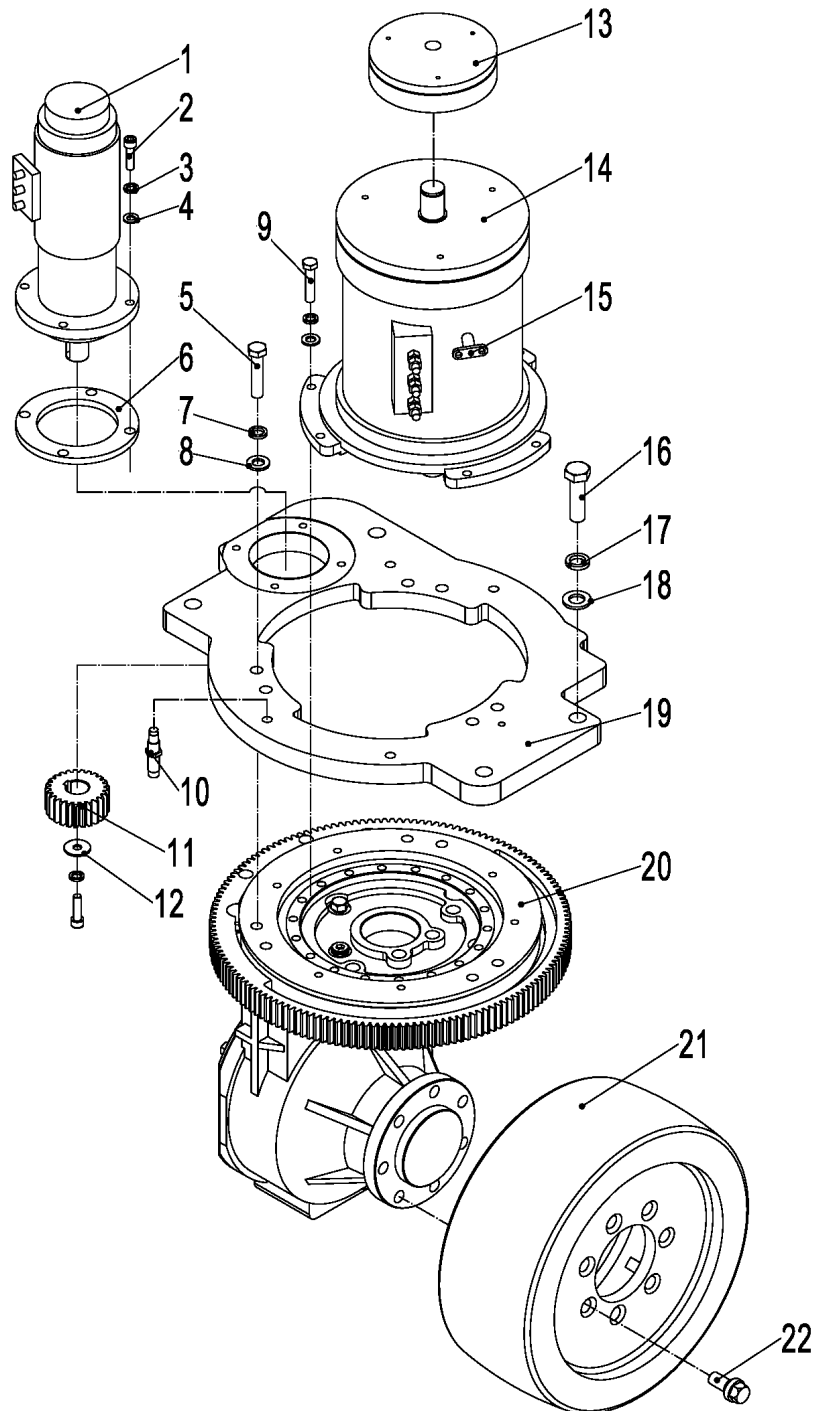


Figure 1

Figure1 Drive steering system (FE3R12)

NO	SN	Name	QTY	Remarks
1	920900100050	Motor (dc) z90 dpn24400-30s	1	
2	910200200062	Screw GB70.1 M8x45-8.8	4	
3	910400500006	Spring washer GB93-8	11	
4	910400100006	The flat washer GB97.1-8-200 HV	10	
5	910100300055	Bolt GB5783 M12x55-8.8	6	
6	271514021002	Pad (steering motor)	1	
7	910400500008	Spring washer GB93-12	2	
8	910400100008	The flat washer GB97.1-12-200 HV	1	
9	910200200059	Screw GB70.1 M8x30-8.8	7	
10	272033510001	Approach switch rpaz092r-l1 (300mm)	2	
11	271514020005	Steering pinion	1	
12	271514021003	Gasket phi phi x 28 9 x2	1	
13	271532511002	Electromagnetic brake	1	Optional
14	920900100074	Motor (ac)B2330111GK	1	
15	271532511001	The encoder	1	
16	910100100071	Bolt GB5782 M16x55-8.8	4	
17	910400500010	Spring washer GB93-16	4	
18	910400100010	The flat washer GB97.1-16-200 HV	4	
19	271514021001	Transmission mounting plate	1	
20	271514010001	The gearbox DDS35LD1	1	
21	940300400013	Driving wheel Φ x140 343	1	
22	216513020000	Hub bolt m14x1.5x25	6	

Drive steering system (FE3R08-10)

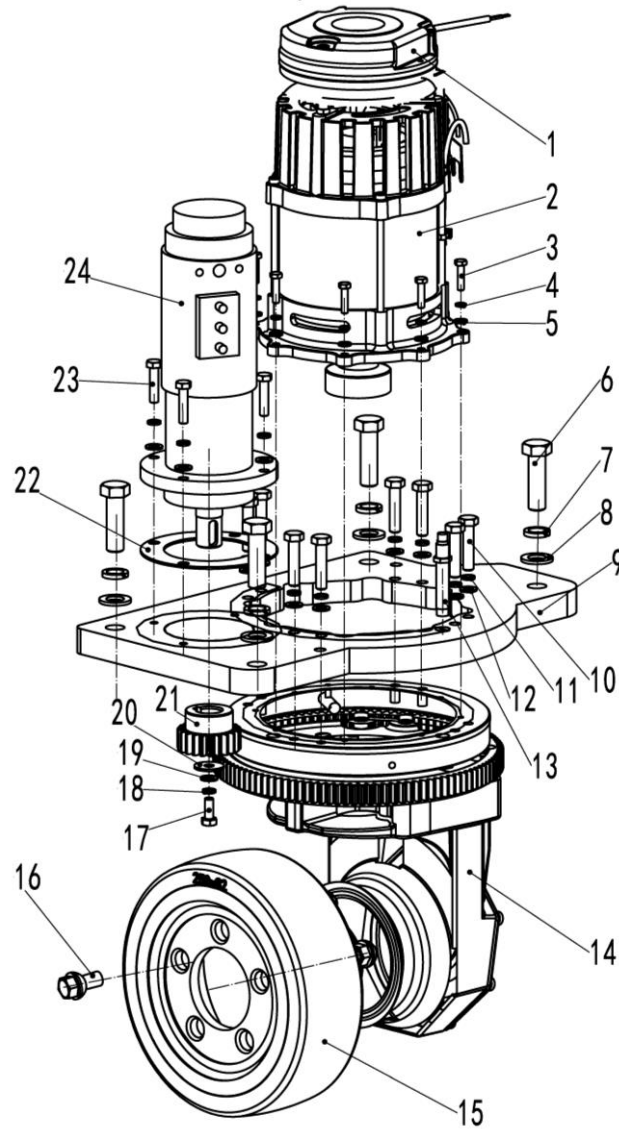


Figure2

Figure2 Drive steering system (FE3R08-10)

NO	SN	Name	QTY	Remarks
1	271132511002	Electromagnetic brake	1	Optional
2	940900600004	Drive steering assembly 5.53.534.0-ac-2.6 KW	1	KORDEL(With a14)
	271132511001	Motor (ac) 2.5kw	1	Match the central south gearbox
3	910100300012	Bolt GB5783 M6x25-8.8	8	
4	910400500005	Spring washer GB93-6	8	
5	910400100005	Flat washer GB97.1-6-200 HV	8	
6	910100100071	Bolt GB5782 M16x55-8.8	4	
7	910400500010	Spring washer GB93-16	4	
8	910400100010	The flat washer GB97.1-16-200 HV	4	
9	271114021001	Transmission mounting plate (KORDEL)	1	KORDEL
	271114022001	Transmission mounting plate	1	Central south
10	910100300040	Bolt GB5783 M10x45-8.8	8	
11	910400500007	Spring washer GB93-10	8	
12	910400100007	Flat washer GB97.1-10-200 HV	8	
13	920200400007	Approach switch fi4-m12-on6l-l70	1	
14	940900600004	Drive steering assembly 5.53.534.0-ac-2.6 KW	1	KORDEL(With a 2)
	271114012001	The gearbox DDS25ALD1	1	Central south
15	940300400002	Driving wheel Φ x82 250-250	1	
16	216513020000	Hub bolt m14x1.5x25	5	
17	910100300022	Bolt GB5783 M8x20-8.8	1	
18	910400500006	Spring washer GB93-8	11	
19	910400100006	The flat washer GB97.1-8-200 HV	10	
20	271514021003	Gasket phi phi x 28 9 x2	1	
21	271114020005	Steering pinion	1	
22	271114021002	Gasket (steering motor)	1	
23	910100300024	Bolt GB5783 M8x30-8.8	4	
24	920900100050	Motor (dc) z90 dpn24400-30s	1	
25	271132511001	The encoder	1	

Lifting motor and oil tank installation

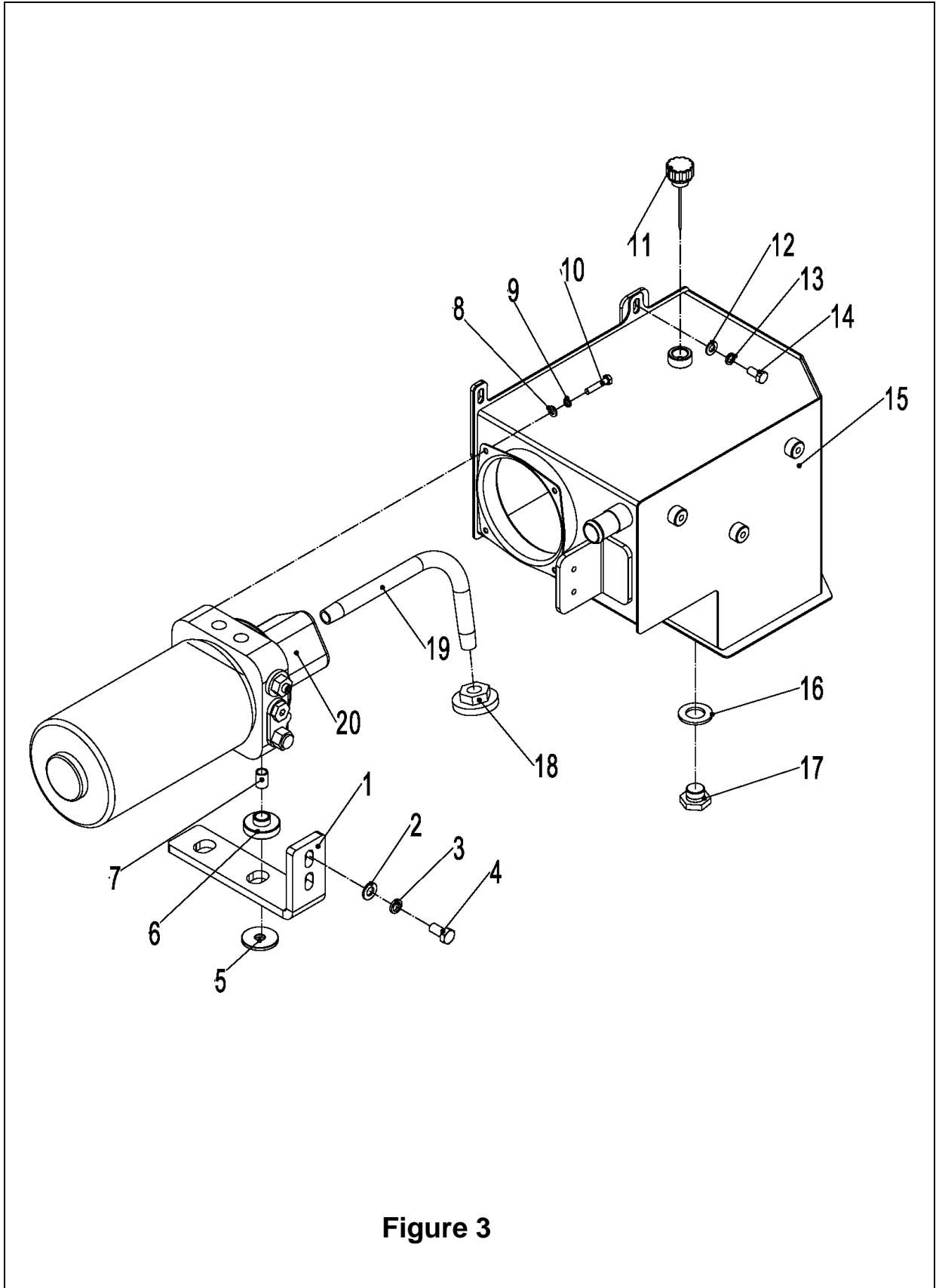


Figure 3

Figure3 Lifting motor and oil tank installation

NO	SN	Name	QTY	Remarks
1	271519021008	Mounting plate (lifting motor)	1	
2	910400100007	Flat washer GB97.1-10-200 HV	4	
3	910400500007	Spring washer GB93-10	4	
4	910100300036	Bolt GB5783 M10x25-8.8	4	
5	271519021009	Strengthen the set of 13 x 10 x18 Φ Φ	2	
6	255032520003	Damping pad	2	
7	255032520002	Gasket phi phi 40 x 11 x4	2	
8	910400100005	Flat washer GB97.1-6-200 HV	4	
9	910400500005	Spring washer GB93-6	4	
10	910100300011	Bolt GB5783 M6x20-8.8	4	
11	271519010002	Filler cap	1	
12	910400100006	The flat washer GB97.1-8-200 HV	2	
13	910400500006	Spring washer GB93-8	2	
14	910100300020	Bolt GB5783 M8x16-8.8	2	
15	271519011001	Tank solders	1	
16	910800900001	Combined washer JB982-20	1	
17	255019020015	Drain plug M20x1. 5	1	
18	271598532501	The filter	1	
19	271532520001	Suction tubing	1	
20	271532510001	Oil pump motor (webber)	1	

Steering device

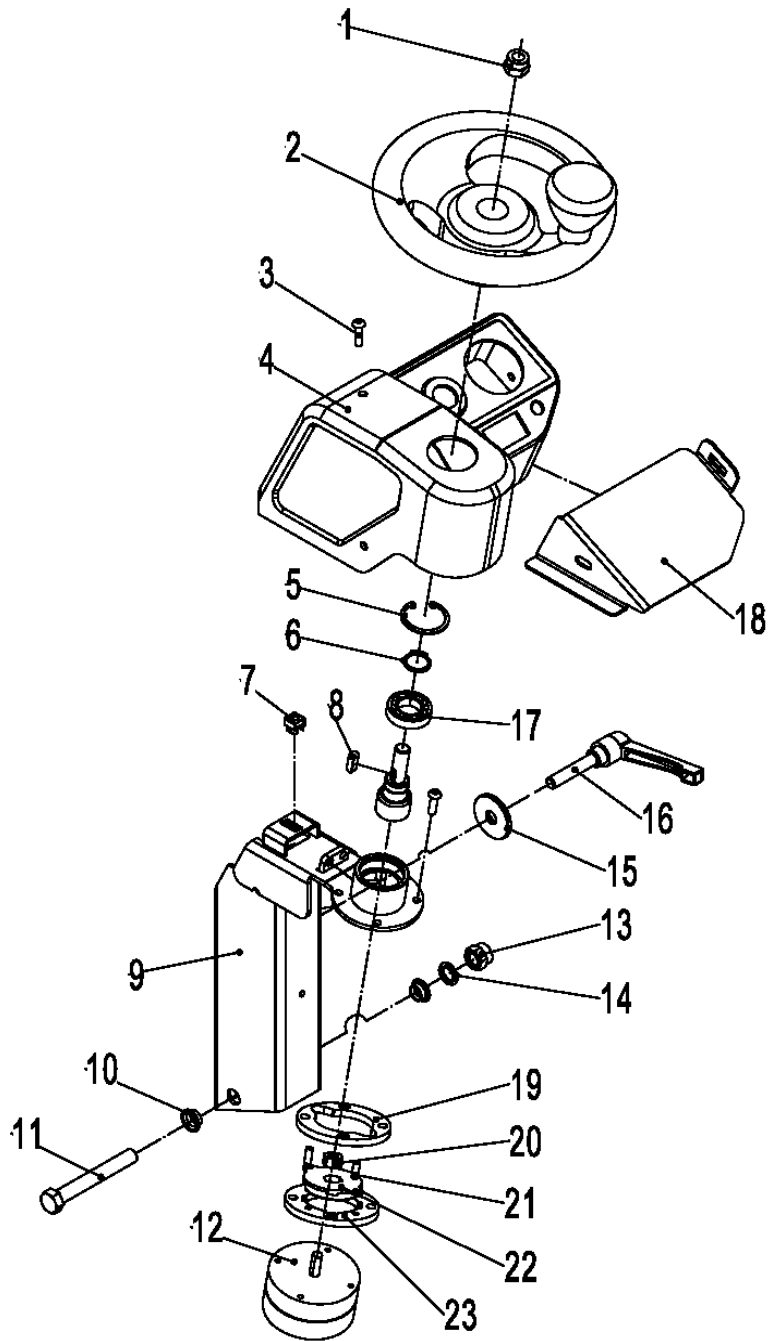


Figure 4

Figure4**Steering device**

NO	SN	Name	QTY	Remarks
1	910300500006	Nut GB889.1 - M12-10	2	
2	271531511020	The steering wheel phi 202 (Q70B4-10221 - j)	4	
3	941100100009	Screw M6x12-8.8	4	
4	271531521010	Instrument mask	1	
5	910401400011	Flexible retainer for hole GB893.1-37	1	
6	910401300011	Axis with elastic catch GB894.1-20	1	
7	940801500001	Jam nut M6	3	
8	910600800002	GB1096-4 x12 - A flat key	1	
9	271531511001	Direction string welding	1	
10	940500200028	Composite set of 12 x (shoulder) Φ Φ 14 x7 - SF - 1	2	
11	910100100056	Bolt GB5782 M12x90-8.8	1	
12	271531521006	Seal plate	1	
13	921800200004	Potentiometer TY1204-1	1	
14	910400100008	The flat washer GB97.1-12-200 HV	2	
15	255032520002	Gasket Φ Φ 40 x 11 x4	1	
16	275015010006	The adjustable handle	1	
17	910700200045	Bearing GB276 rs - 61904-2	1	
18	271531521011	Cover plate under instrument cover	1	
19	271531521022	Transition sleeve (damper)	1	
20	271531511021	Rotating damper	1	
21	910600400020	pin 5x14	2	
22	271531521023	Transition ring (I)	1	
23	271531521021	Transition ring (lower)	1	

Battery cover and installation

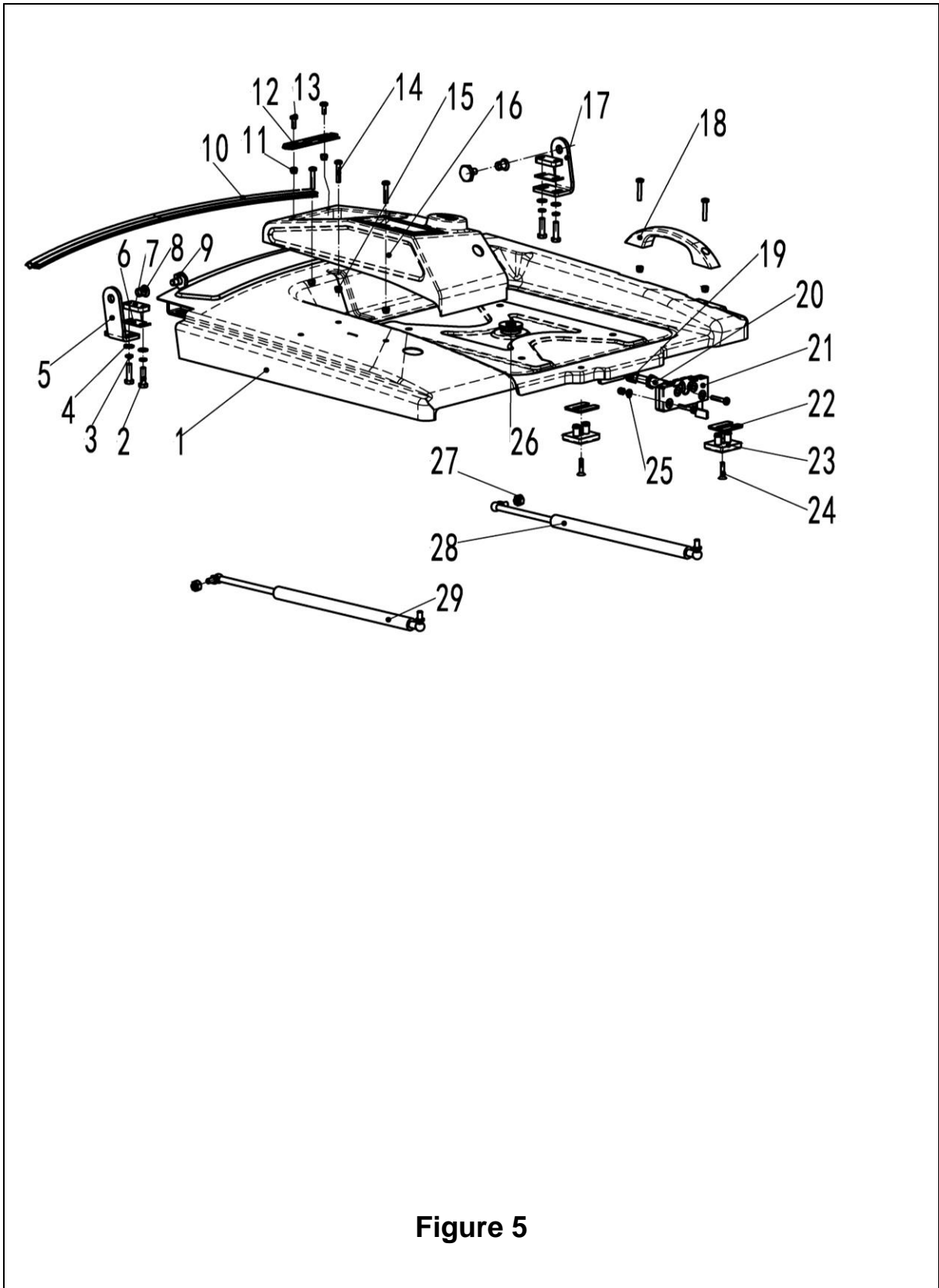


Figure 5

Figure5**Battery cover and installation**

NO	SN	Name	QTY	Remarks
1	271521011002	Box cover welding (12)	1	FE3R10-12
	271121011002	Box cover welding (08)	1	FE3R08
2	910100300024	Bolt GB5783 M8x30-8.8	4	
3	910400100006	The flat washer GB97.1-8-200 HV	4	
4	910400500006	Spring washer GB93-8	4	
5	271521021008	Hinge plate (right)	1	
6	271521021015	Adjust the pad	2	
7	271521021007	Fixed plate (cover holder)	2	
8	940500200028	Composite set of 12 x (shoulder) $\Phi \Phi$ 14 x7 - SF - 1	2	
9	271521021043	Hinge bolts M10x19	2	
10	255022521093	Sealing strip (180 °)		
11	910300100004	Nut GB6170 - M5-10	2	
12	255021020067	Folder	4	
13	910200500040	Screw GB818 M5x16-4.8	2	
14	910200500056	Screw GB818 M6x35-4.8	7	
15	910300500003	Nut GB889.1 - M6-10	7	
16	271521021003	Top cover	1	
17	271521021009	Hinge plate (left)	1	
18	255021020020	The shake handhandle	1	
19	910300500006	Nut GB889.1 - M12-10	1	
20	255021020052	Locking tongue (roof)	1	
21	255021010010	The lid lock	1	
22	255021020071	Adjustment pad (cushion pad)	2	
23	255021020068	Cushion	2	
24	910200400019	Screw GB70.3 M6x25-8.8	2	
25	910400100005	Flat washer GB97.1-6-200 HV	2	
26	255021020046	Skirts Φ 35	1	
27	910300100006	Nut GB6170 M8-10	2	
28	940400100030	Gas spring 200 n (D620)	1	
29	940400100031	Gas spring 500N(D620)- self-locking	1	

Multiple valve cover mounting

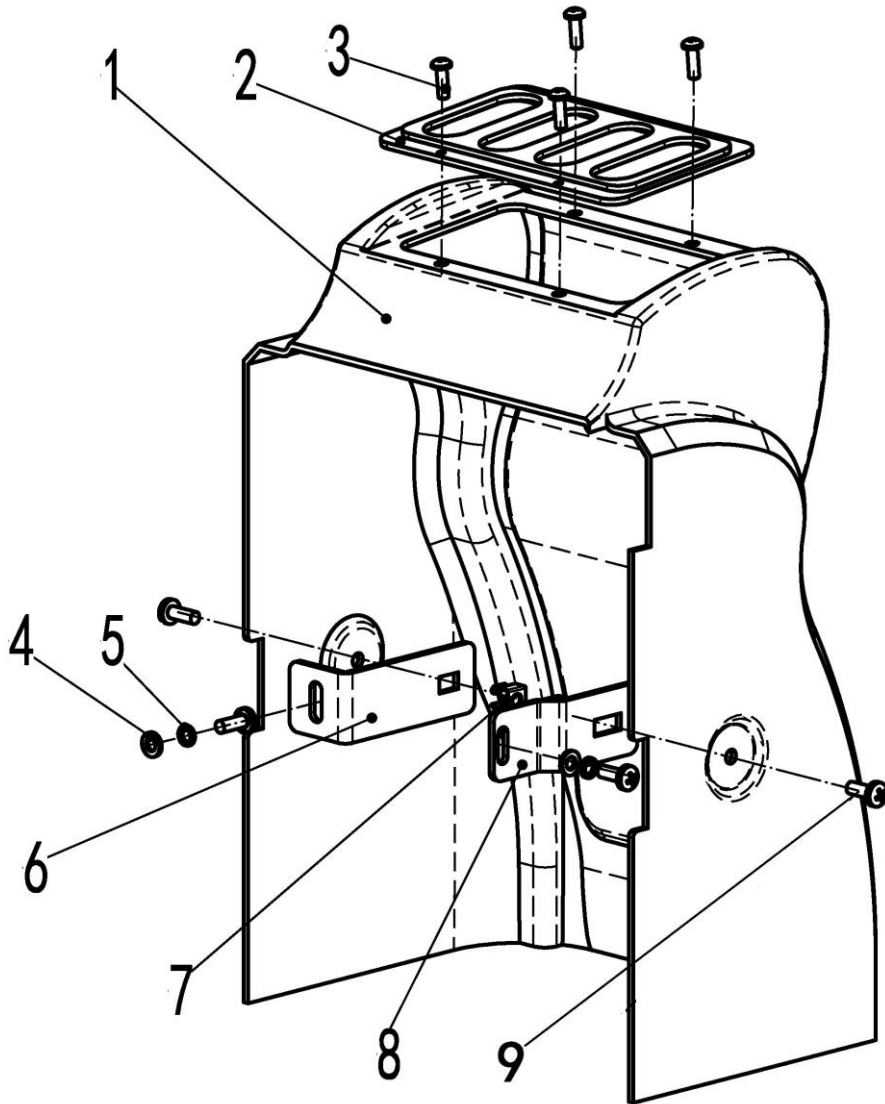


Figure 6

Figure6 Multiple valve cover mounting

NO	SN	Name	QTY	Remarks
1	271521021001	Multiple valve underhood	1	
2	271521011005	Control hole plate soldering	1	
3	910200500040	Screw GB818 M5x16-4.8	4	
4	910400100005	Flat washer GB97.1-6-200 HV	2	
5	910400500005	Spring washer GB93-6	2	
6	255021020051	Support (lower cover of valve)	1	
7	940801500001	Jam nut M6	2	
8	271521021044	Bonnet bracket (right)	1	
9	910200500053	Screw GB818 M6x20-4.8	4	

Instrument frame guard

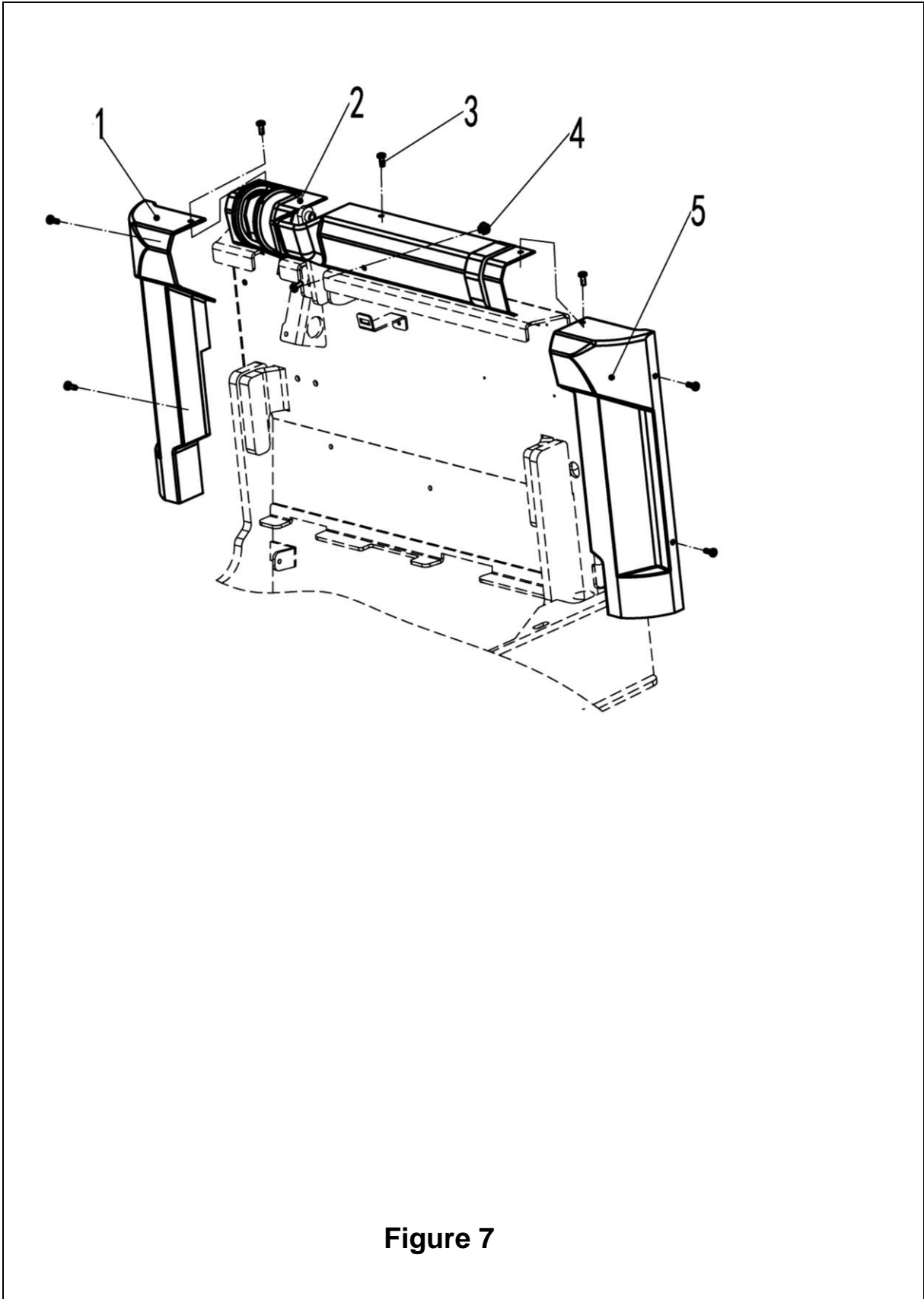


Figure 7

Figure7 **Instrument frame guard**

NO	SN	Name	QTY	Remarks
1	271521021004	Instrument frame left cover	1	
2	271521021006	Instrument frame cover	1	
3	910200500053	Screw GB818 M6x20-4.8	7	
4	940801500001	Jam nut M6	1	
5	271521021005	Instrument frame right cover	1	

Right door mounting

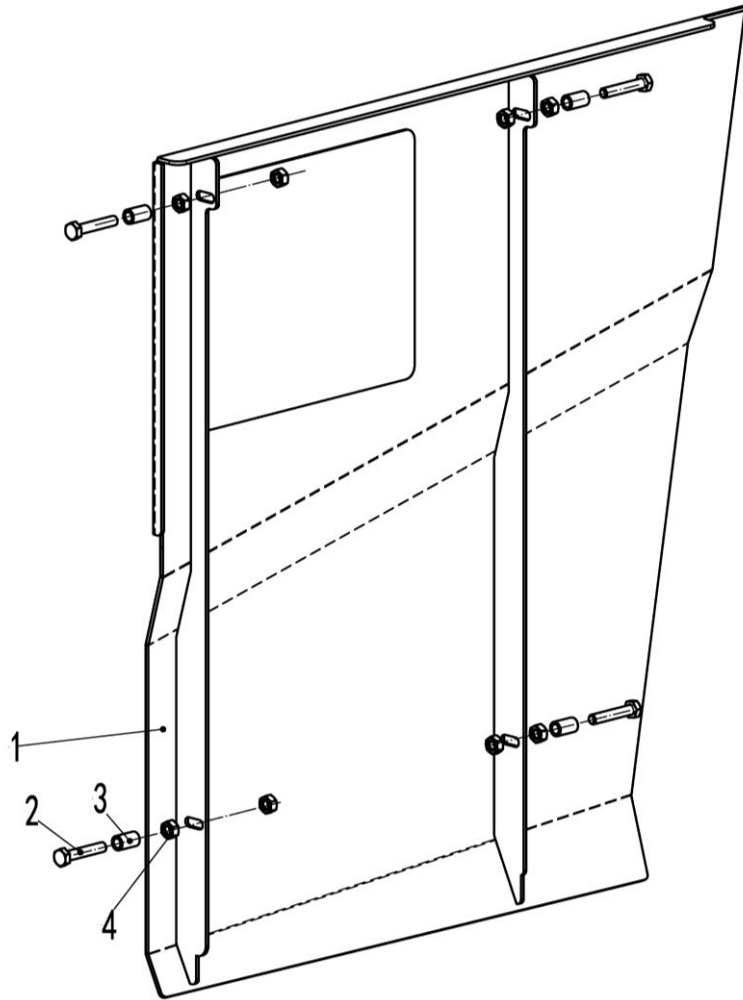


Figure 8

Figure8 Right door mounting

NO	SN	Name	QTY	Remarks
1	271521011001	Right side door welding (12)	1	FE3R10-12
	271121011001	Right side door soldering (08)	1	FE3R08
2	910100100023	Bolt GB5782 M8x45-8.8	4	
3	255012020012	Pu tube	4	
4	910300100006	Nut GB6170 M8-10	4	

Balance weight installation

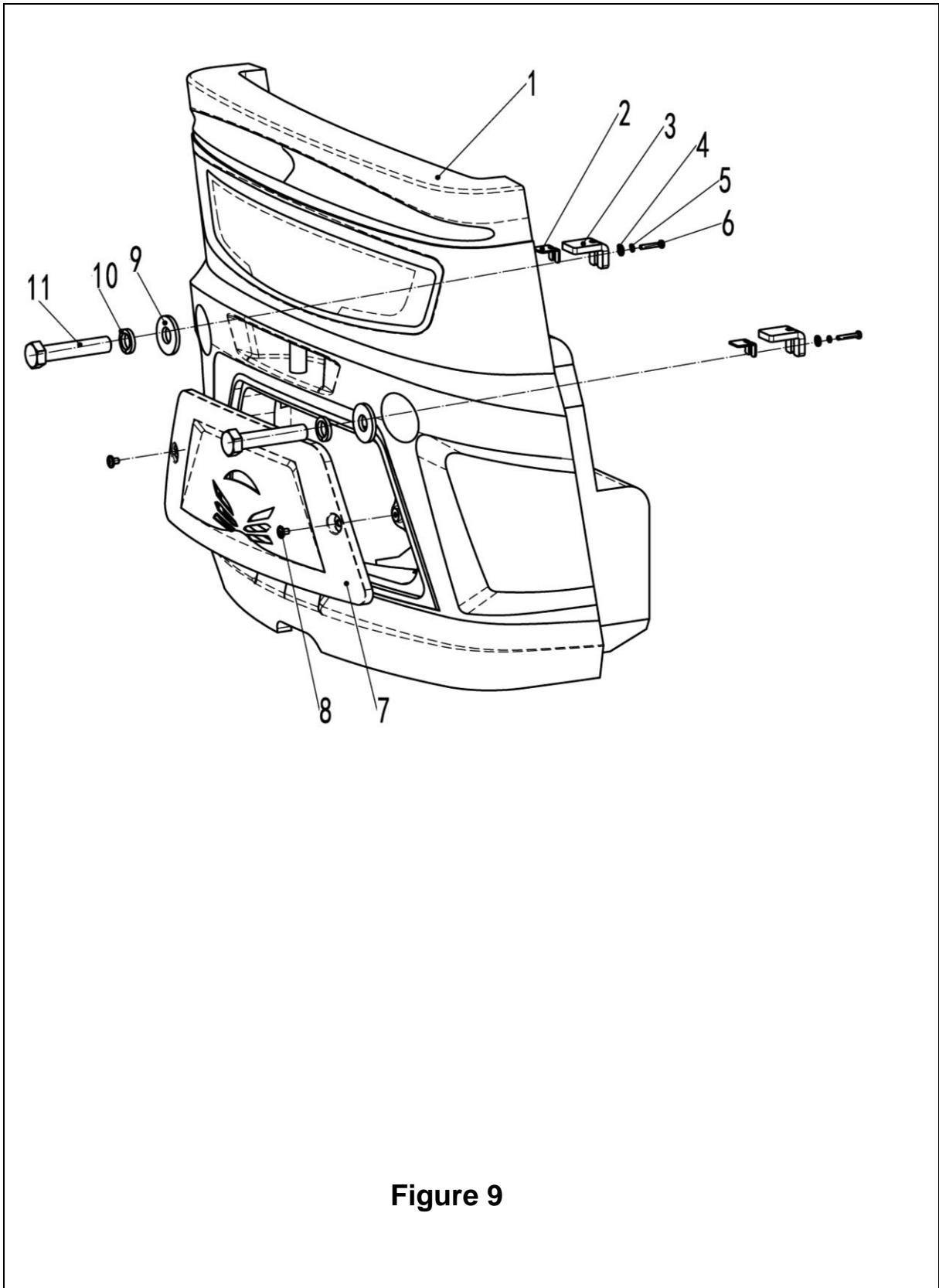


Figure 9

Figure9 Balance weight installation

NO	SN	Name	QTY	Remarks
1	271523021001	Balance weight (12)	1	FE3R12N
	271323021001	Balance weight (10)	1	FE3R10N
	271123021001	Balance weight (08)	1	FE3R08N
2	255023020006	Adjustment pad (counterweight)	1	
3	281223021007	Plate (weight)	2	
4	910400100005	Flat washer GB97.1-6-200 HV	2	
5	910400500005	Spring washer GB93-6	2	
6	910100300014	Bolt GB5783 M6x35-8.8	2	
7	271523021002	Balance weight back plate	1	
8	941100100001	Screw M8x12-8.8	2	
9	255023020007	Gasket $\Phi \Phi$ 60 x 25 x6	2	
10	910400500013	Spring washer GB93-24	2	
11	910100100101	Bolt GB5782 M24x120-8.8	2	

Parking brake installation

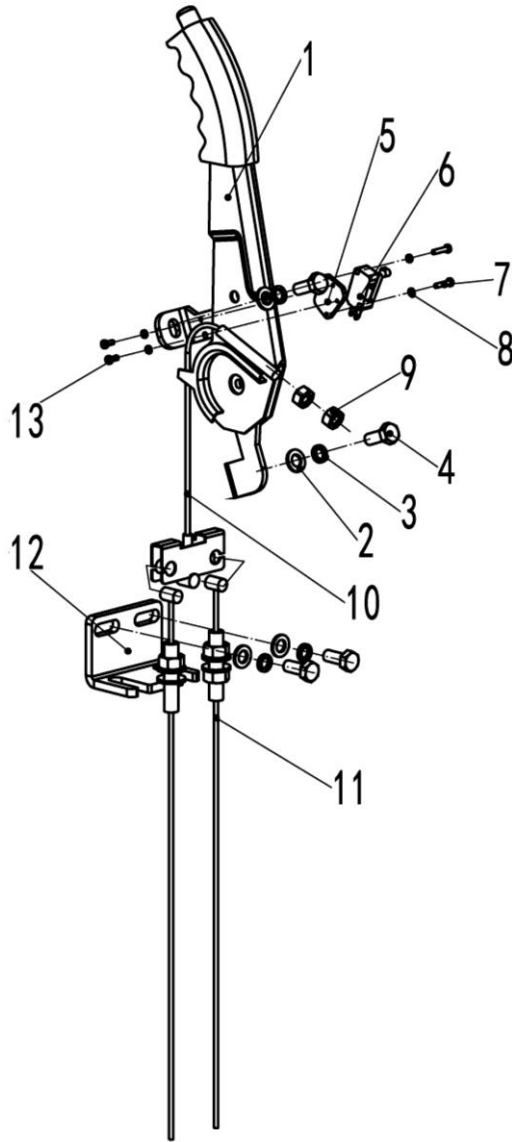


Figure 10

Figure10 Parking brake installation

NO	SN	Name	QTY	Remarks
1	271512011001	Hand brake	1	
2	910400100006	The flat washer GB97.1-8-200 HV	4	
3	910400500006	Spring washer GB93-8	4	
4	910100300022	Bolt GB5783 M8x20-8.8	2	
5	271512021002	Travel switch mounting plate	1	
6	920200300009	Travel switch	2	
7	910200500012	Screw GB818 M3x16-4.8	2	
8	910400500002	Spring washer GB93-3	4	
9	910300100006	Nut GB6170 M8-10	2	
10	271512012001	Transition joint	2	
11	271512013001	Hand brake line	2	
12	271512021001	Mounting bracket (cable)	1	
13	910200500010	Screw GB818 M3x8-4.8	2	

Roof holder and installation

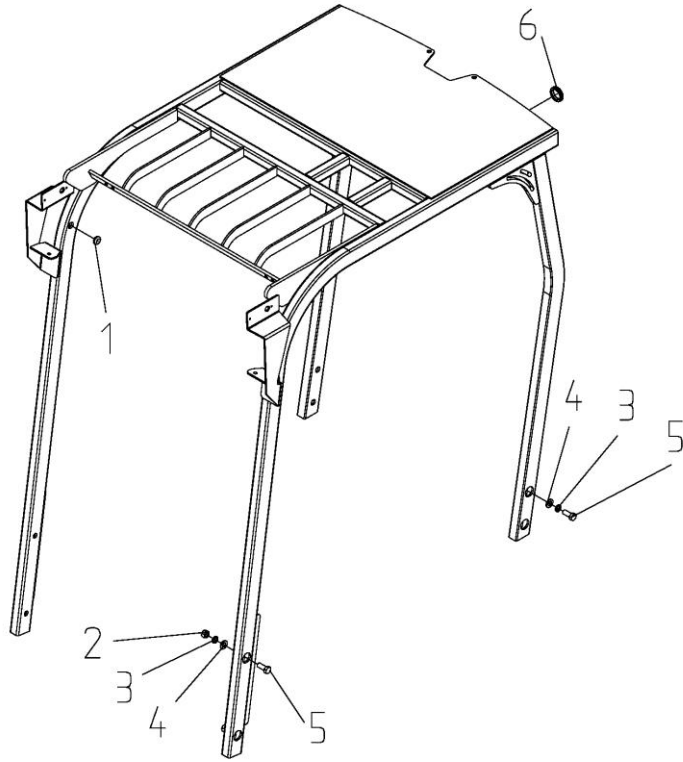


Figure 11

Figure11 Roof holder and installation

NO	SN	Name	QTY	Remarks
A	271522011001	Roof welding	1	FE3R10-12N
B	271122011001	Roof welding	1	FE3R08N
1	252022020050	Charging socket line washer	3	
2	910300100008	Nut GB6170 - M12-10	4	
3	910400500008	Spring washer GB93-12	8	
4	910400100008	The flat washer GB97.1-12-200 HV	8	
5	910100300050	Bolt GB5783 M12x30-8.8	8	
6	255022020004	Tail out coil	2	

Frame installation

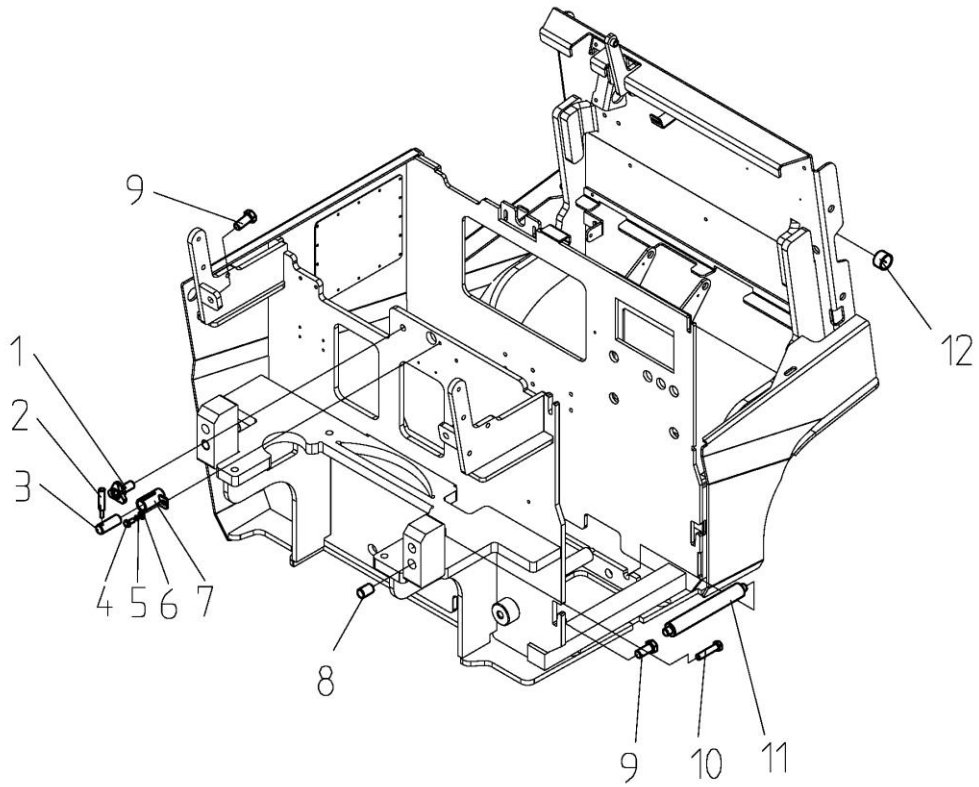


Figure 12

Figure12**Frame installation**

NO	SN	Name	QTY	Remarks
A	271521511001	Frame welded	1	FE3R10-12N
B	271121511001	Frame welded	1	FE3R08N
1	255021020059	Star handle	1	
2	255021520100	Stir bar	1	
3	255021520099	Insurance sales	1	
4	910100300020	Bolt GB5783 M8x16-8.8	1	
5	910400500005	Spring washer GB93-6	1	
6	910400100006	The flat washer GB97.1-8-200 HV	1	
7	271521511011	Valve stem joint	1	
8	281221521092	Round steel	2	
9	910100300069	Bolt GB5783 M16x35-8.8	4	
10	910100300055	Bolt GB5783 M12x55-8.8	2	
11	271521521091	roller	6	
12	940500100046	Composite set of 30 x Φ Φ 34 x20 - SF - 1	2	
13	255021020059	Star handle	1	

Foot brake control

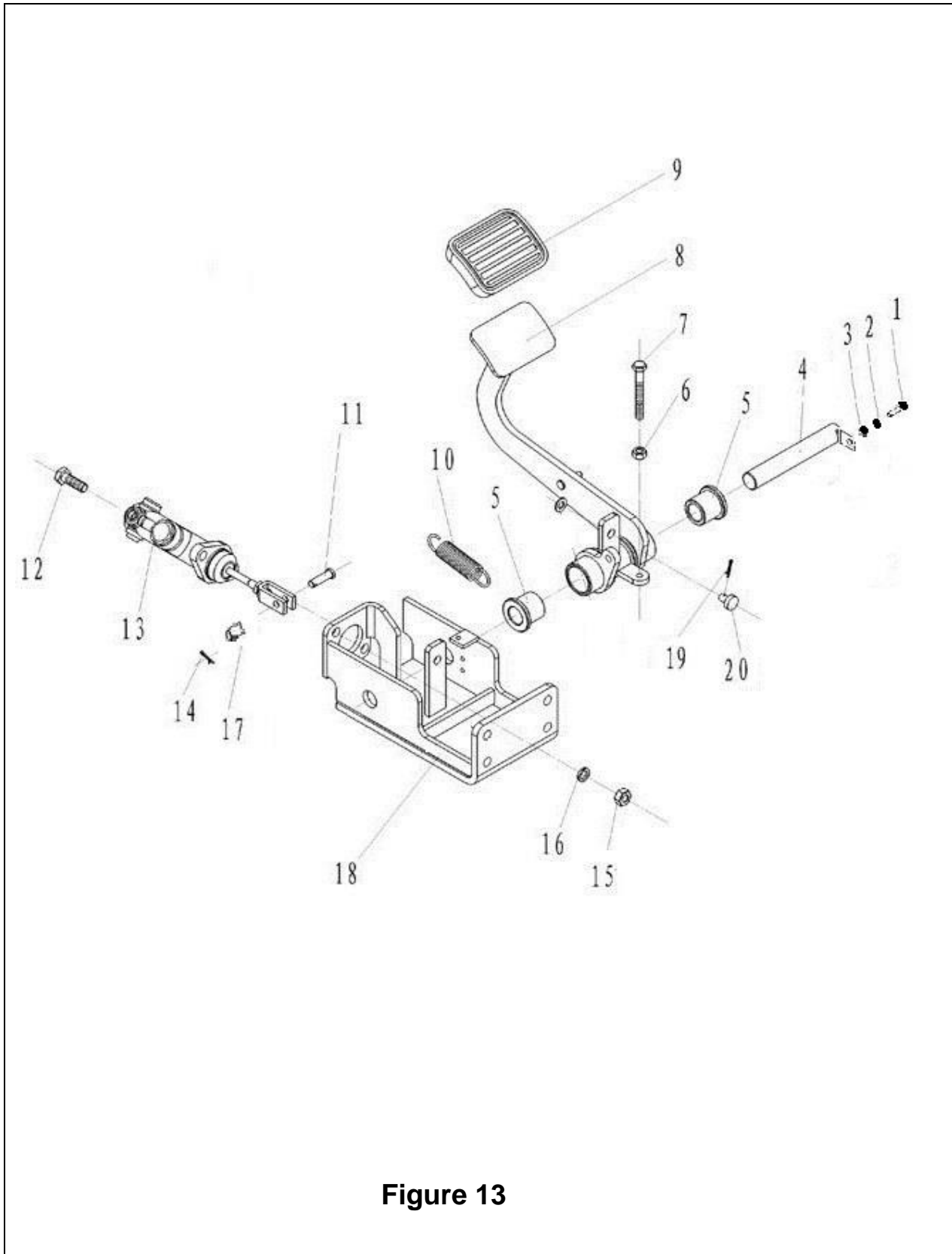


Figure 13

Figure13**Foot brake control**

NO	SN	Name	QTY	Remarks
A	271511511001	Foot brake assembly	1	Inc.1-20
1	910100300009	Bolt GB5783 M6x12-8.8	1	
2	910400500005	Spring washer GB93-6	1	
3	910400100005	Flat washer GB97.1-6-200 HV	1	
4	255011510003	With trunnion Φ 16 x135	1	
5	940500100006	Composite set of phi phi 16 x 18 x15 - SF - 1	2	
6	910300100006	Nut GB6170 M8-10	1	
7	910100300025	Bolt GB5783 M8x35-8.8	1	
8	271511511005	Pedal welded	1	
9	255011520013	Rubber pedal	1	
10	275211521013	Tension spring	1	
11	910600700033	Pin GB882 - B10x30x3. 2	1	
12	910100300037	Bolt GB5783 M10x30-8.8	2	
13	271511512001	Brake master cylinder	1	
14	910600600026	Cotter pin GB91-3.2 x20	1	
15	910300100007	Nut GB6170 - M10-10	2	
16	910400500007	Spring washer GB93-10	2	
17	940500100048	Composite set of 10 x phi phi 12 by 8 - SF - 1	1	
18	271511511004	Foot brake bracket welding	1	
19	910600600017	Cotter pin x16 GB91 2.5	1	
20	255011520010	Cushion	1	

Foot brake control line

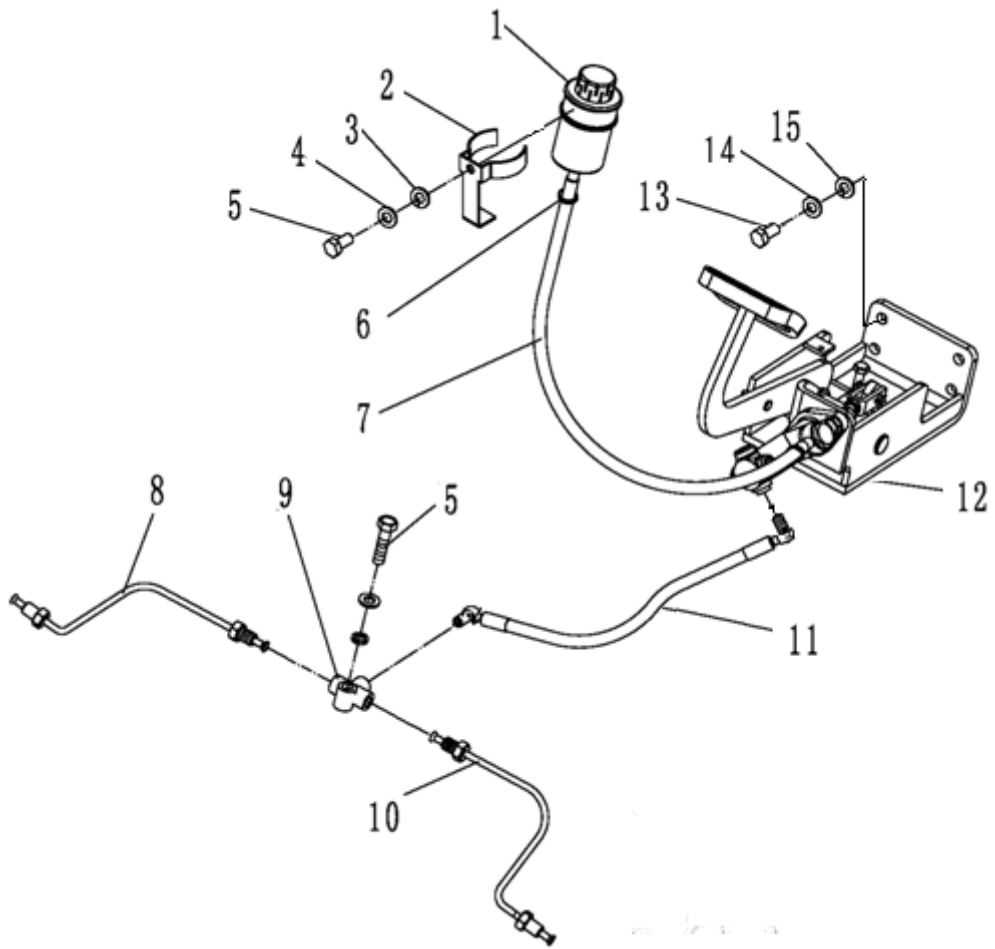


Figure 14

Figure14**Foot brake control line**

NO	SN	Name	QTY	Remarks
1	275011520020	Brake oil cup	1	
2	272011520010	Stand (oil cup)	1	
3	910400100006	The flat washer GB97.1-8-200 HV	2	
4	910400500006	Spring washer GB93-8	2	
5	910100300024	Bolt GB5783 M8x30-8.8	1	
6	911000600001	Hose hoops QC/T390 - (11-14)	2	
7	900200301003	Rubber hose Φ 8 x Φ 11	1	
8	271511511002	Brake steel tube 1	1	
9	275211520011	Connection (tee) 3-3xm10x1	1	
10	271511511003	Brake steel tube 2	1	
11	275211520010	Brake tubing assembly	1	
12	271511511001	Foot brake assembly	1	
13	910200200142	Screw GB70.1 M10x20-12.9	4	
14	910400500007	Spring washer GB93-10	4	
15	910400100007	Flat washer GB97.1-10-200 HV	4	

Front floor and installation

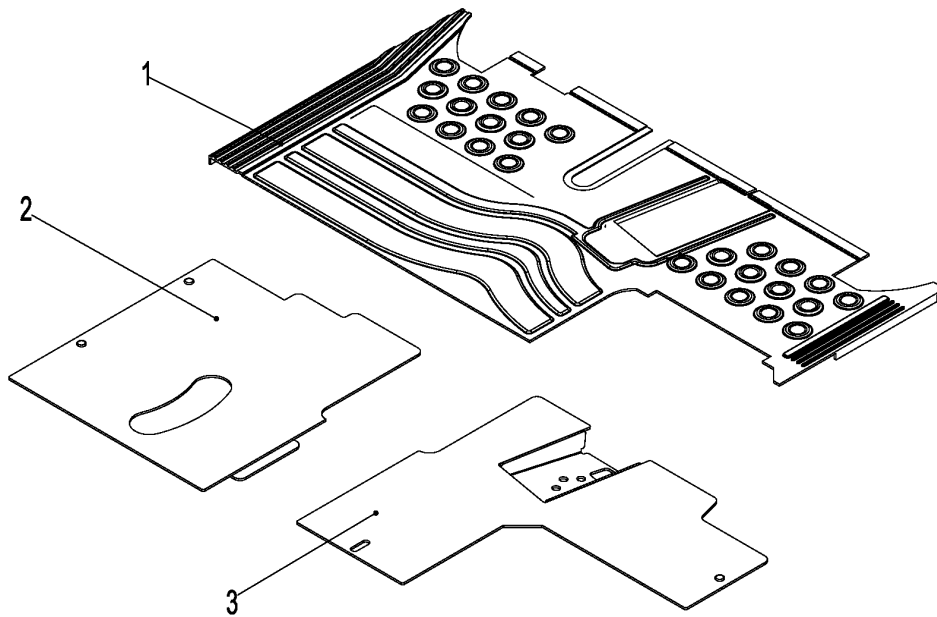


Figure 15

Figure15 **Front floor and installation**

NO	SN	Name	QTY	Remarks
1	271518021005	Floor mat	1	
2	271518011001	Weld on left base plate	1	
3	271518011002	Right bottom plate soldering	1	

Front wheel assembly

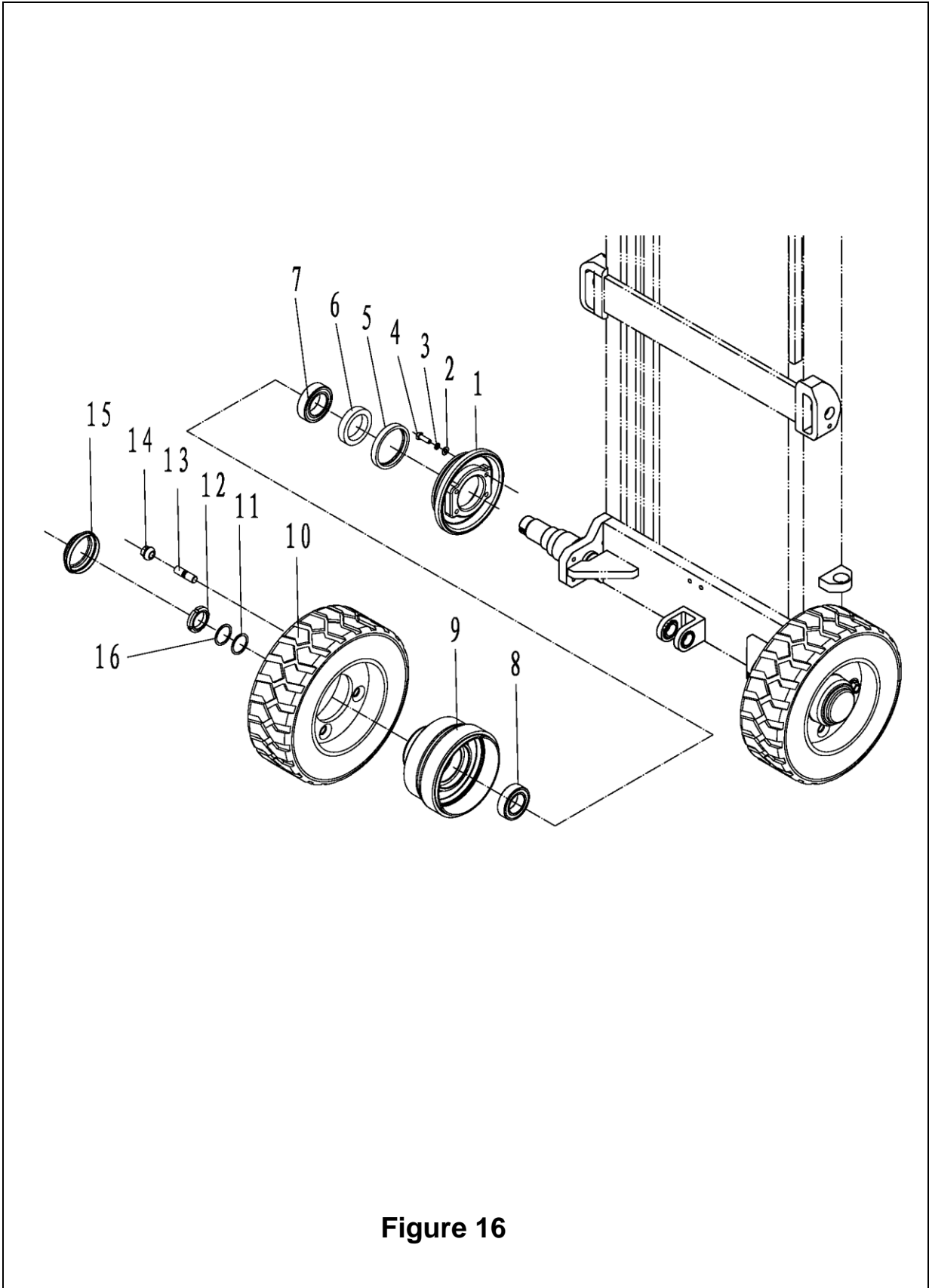


Figure 16

Figure16**Front wheel assembly**

NO	SN	Name	QTY	Remarks
1	271515520007	Brake assembly 1	1	
	271515520006	Brake assembly 2	1	
2	910400100006	The flat washer GB97.1-8-200 HV	4	
3	910400500006	Spring washer GB93-8	4	
4	910200200058	Screw GB70.1 M8x25-8.8	4	
5	910800700002	Skeleton oil seal 75x90x12	2	
6	271515520001	Bushing Φ 75 x Φ x15 54	2	
7	910700600017	Bearing GB297-32009	2	
8	910700600016	Bearing GB297-32008	2	
9	271515520004	Brake drum	2	
10	272015510002	Tyre 13x41/2x8(solid yi shi mai)	2	
	272015510007	Tyre 13x41/2x8(pressure matching environmentally friendly excelsior)	2	Select
11	271515520003	Gasket Φ 50 x Φ 36 x4	2	
12	910300800006	Nut GB812 - M35x1. 5	2	
13	271515520005	Double-headed stud m14x1.5x50	2	
14	275215520008	Nut M14x1. 5	8	
15	271515520002	Blocking cover	2	
16	910400900006	Stop washer GB858-35	2	

Multi-way reversing valve operation (duplex)

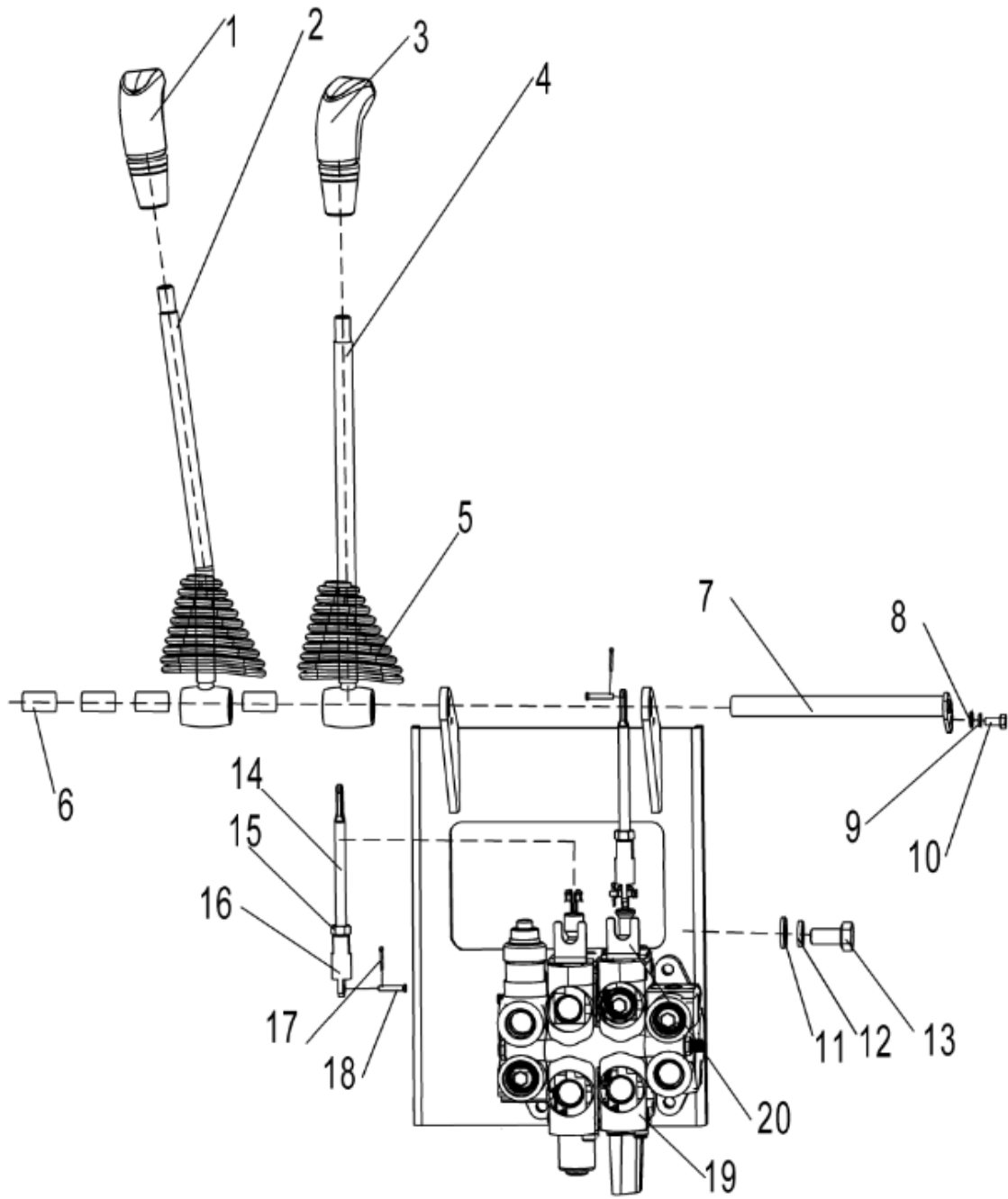


Figure 17

Figure17 Multi-way reversing valve operation (duplex)

NO	SN	Name	QTY	Remarks
1	255024520023	Handle ball (incline)	1	
2	271524511005	Joystick welding (incline)	1	
3	255024520022	Handle ball (lifting)	1	
4	271524511004	Stick welding (lifting)	1	
5	255024520065	sheath	2	
6	940500100006	Composite set Φ 16 x Φ 18 x15 - SF - 1	4	
7	255024510009	With trunnion Φ 16 x168	1	
8	910400100005	Flat washer GB97.1-6-200 HV	9	
9	910400500005	Spring washer GB93-6	7	
10	910100300009	Bolt GB5783 M6x12-8.8	5	
11	910400100007	Flat washer GB97.1-10-200 HV	6	
12	910400500007	Spring washer GB93-10	6	
13	910100300036	Bolt GB5783 M10x25-8.8	4	
14	271524521017	Connecting rod	2	
15	910300100006	Nut GB6170 M8-10	2	
16	255025020003	joint	2	
17	941100800001	Pin B4.75 x20 - c1B	4	
18	910600600011	Cotter pin GB91-2 x12	4	
19	271524511001	Multi-way valve (double joint)	1	
20	255024520027	Bracket (travel switch)	2	

Multi-way reversing valve control (triple)

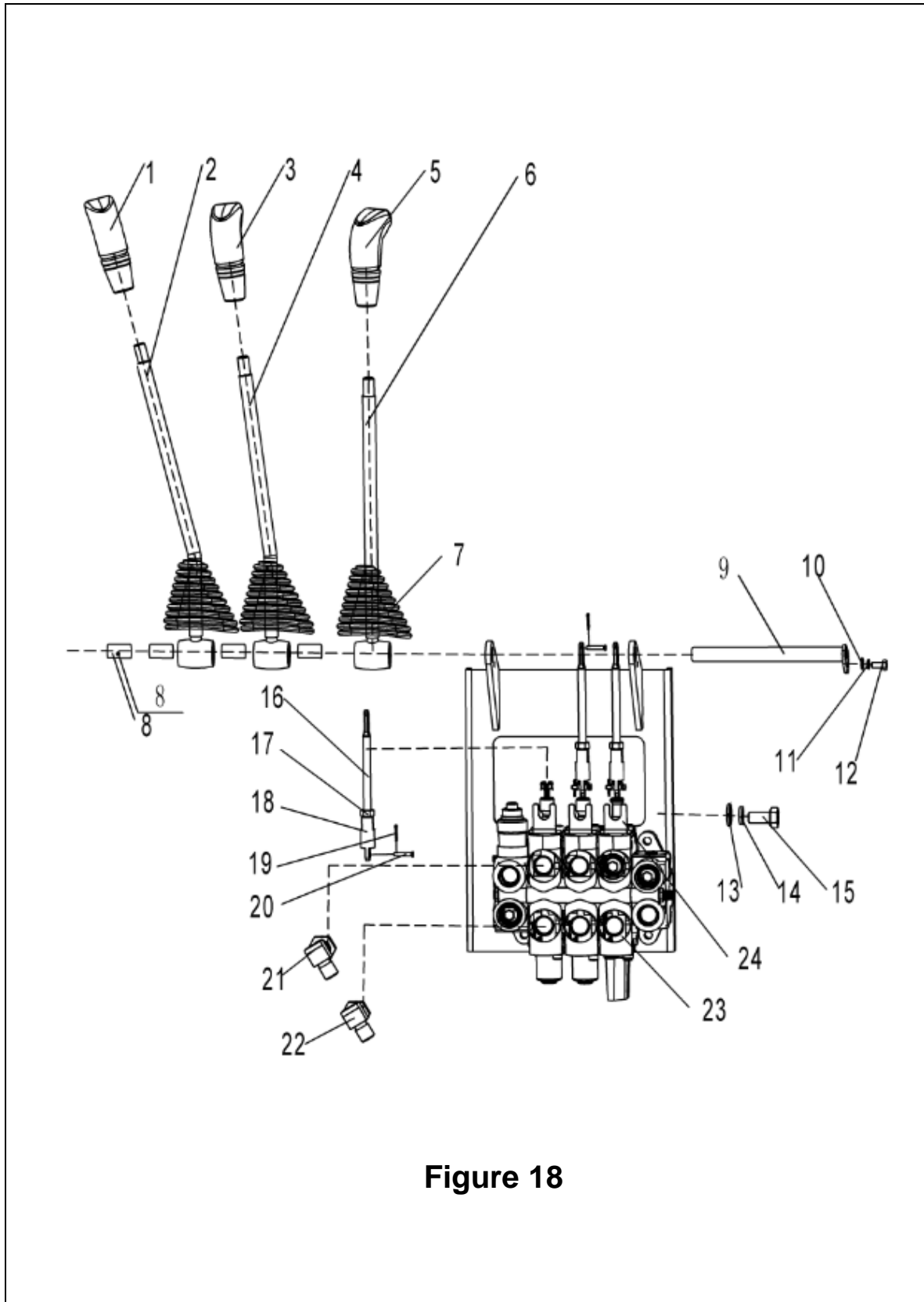


Figure 18

Figure18 Multi-way reversing valve control (triple)

NO	SN	Name	QTY	Remarks
1	255025020002	Handle ball (1)	1	
2	271525011006	Joystick welding (equipment 1)	1	
3	255024520023	Handle ball (incline)	1	
4	271524511005	Joystick welding (incline)	1	
5	255024520022	Handle ball (lifting)	1	
6	271524511004	Stick welding (lifting)	1	
7	255024520065	sheath	3	
8	940500100006	Composite set Φ 16 x Φ 18 x15 - SF - 1	6	
9	255024510009	With trunnion Φ 16 x168	1	
10	910400100005	Flat washer GB97.1-6-200 HV	9	
11	910400500005	Spring washer GB93-6	7	
12	910100300009	Bolt GB5783 M6x12-8.8	5	
13	910400100007	Flat washer GB97.1-10-200 HV	6	
14	910400500007	Spring washer GB93-10	6	
15	910100300036	Bolt GB5783 M10x25-8.8	4	
16	271524521017	Connecting rod	3	
17	910300100006	Nut GB6170 M8-10	3	
18	255025020003	joint	3	
19	941100800001	Pin B4.75 x20 - c1B	6	
20	910600600011	Cotter pin GB91-2 x12	6	
21	255023510007	Joint (lock) 10 - M20x1. 5 - M16x1. 5-60 °	1	
22	281225010001	Joint (lock) 10 - M20x1. 5 - M16x1. 5-60 °	1	
23	271525011001	Multi-way valve (sanxin triad)	1	
24	255024520027	Bracket (travel switch)	3	

Multi-way reversing valve control (quad)

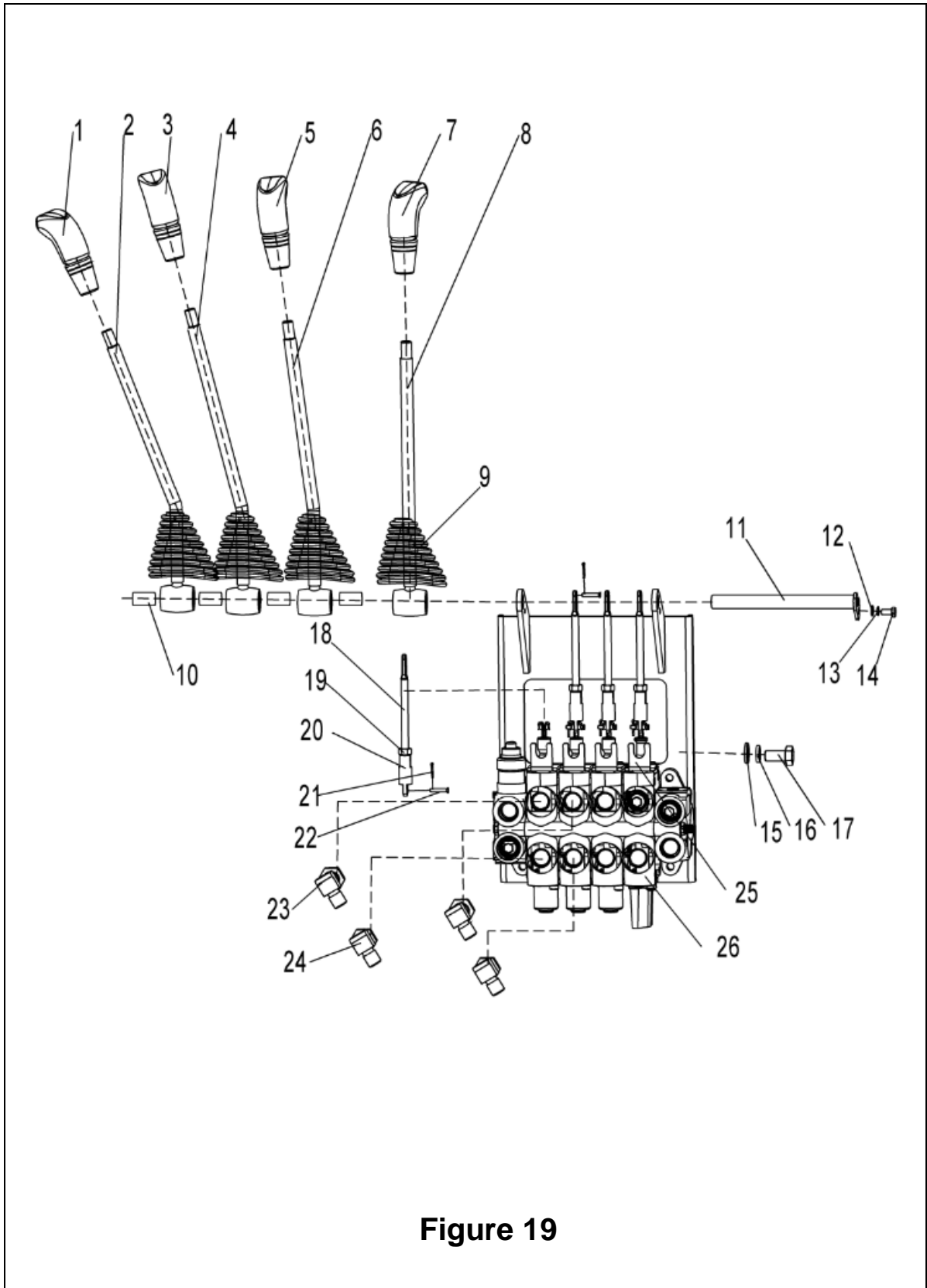


Figure 19

Figure19 Multi-way reversing valve control (quad)

NO	SN	Name	QTY	Remarks
1	255025520002	Handle ball (2)	1	
2	271525511007	Stick welding (equipment 2)	1	
3	255025020002	Handle ball (1)	1	
4	271525011006	Joystick welding (equipment 1)	1	
5	255024520023	Handle ball (incline)	1	
6	271524511005	Joystick welding (incline)	1	
7	255024520022	Handle ball (lifting)	1	
8	271524511004	Stick welding (lifting)	1	
9	255024520065	sheath	4	
10	940500100006	Composite set Φ 16 x Φ 18 x15 - SF - 1	8	
11	255024510009	With trunnion Φ 16 x168	1	
12	910400100005	Flat washer GB97.1-6-200 HV	9	
13	910400500005	Spring washer GB93-6	7	
14	910100300009	Bolt GB5783 M6x12-8.8	5	
15	910400100007	Flat washer GB97.1-10-200 HV	6	
16	910400500007	Spring washer GB93-10	6	
17	910100300036	Bolt GB5783 M10x25-8.8	4	
18	271524521017	Connecting rod	4	
19	910300100006	Nut GB6170 M8-10	4	
20	255025020003	joint	4	
21	941100800001	Pin B4.75 x20 - c1B	8	
22	910600600011	Cotter pin GB91-2 x12	8	
23	255023510007	Joint (lock) 10 - M20x1.5 - M16x1.5-60 °	2	
24	281225010001	Joint (lock) 10 - M20x1.5 - M16x1.5-60 °	2	
25	255024520027	Bracket (travel switch)	4	
26	271525511001	Multi-way valve (four links)	1	

Figure20**Hydraulic system**

NO	SN	Name	QTY	Remarks
1	281244529001	Bending joint (lock) 12 - M18x1.5 - M22x1.5-60 °	1	
2	281225010001	Joint (lock) 10 - M20x1.5 - M16x1.5-60 °	1	
3	255023510007	Joint (lock) 10 - M20x1.5 - M16x1.5-60 °	1	
4	271523520002	Bending joint (lock) 12 - M20x1.5 - M18x1.5-60 °	1	
5	271523520003	Hydraulic tube assembly (90 °) 10 - sc L500-1-60 °	1	
6	275223521005	Hydraulic tube assembly (straight) 6 - sc L700-1-60 °	1	
7	275223521006	Hydraulic hose assemblies (90 °), 6 - sc L700-1-60 °	1	
8	255023510002	Joint (16 to bend) - M22x1.5 - Φ 25	1	
9	271523520003	Hydraulic tube assembly (90 °) 10 - sc L500-1-60 °	1	
10	911000600004	Hose hoops QC/T390 - 38 (34)	1	
11	900200401003	Oil return hose Φ Φ x 25 to 35	1	
12	271523520005	Joint (lock) 12 - G3/8 - M18x1.5-60 °	1	

Lifting pipeline (standard mast)

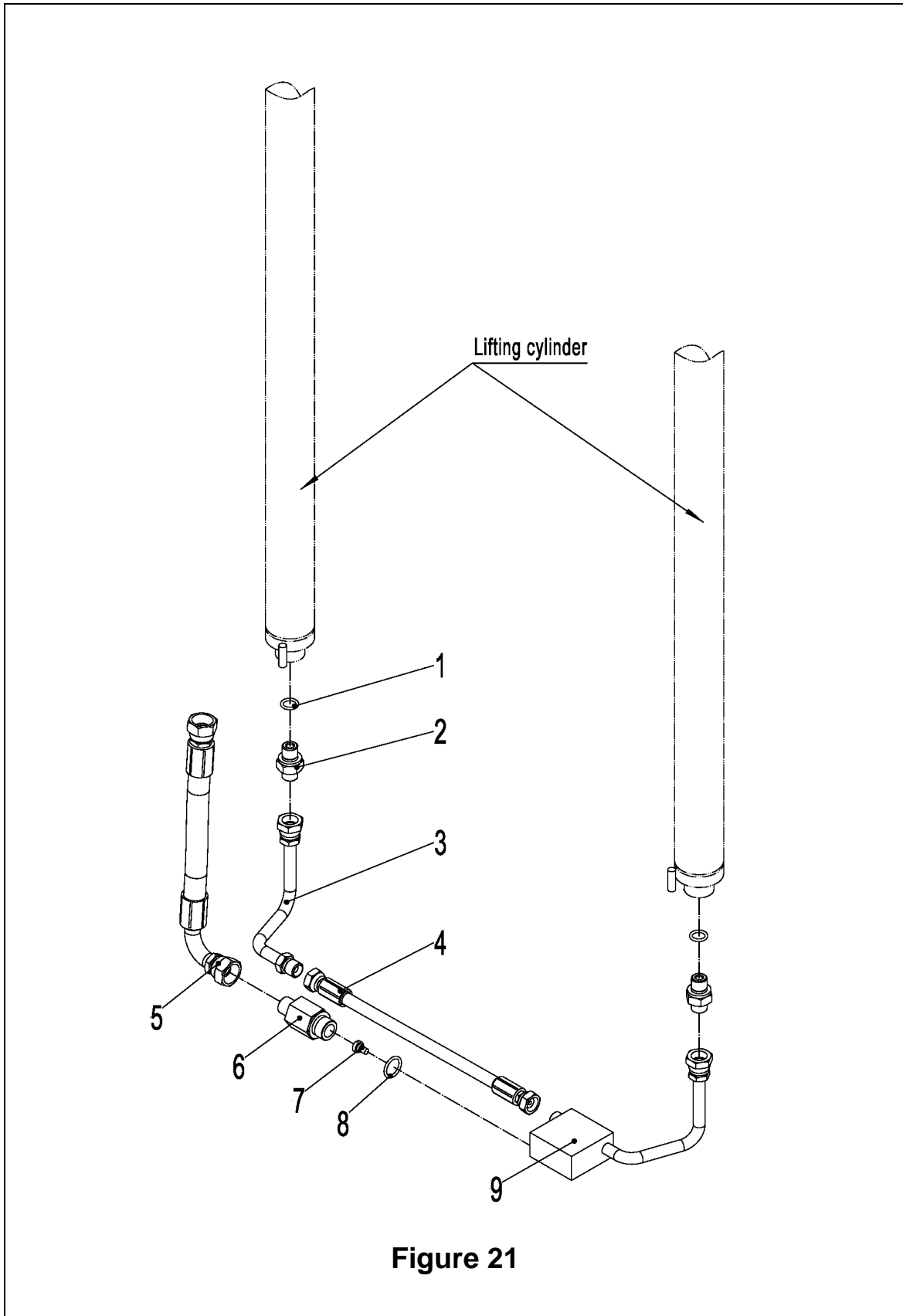


Figure 21

Figure21**Lifting pipeline (standard mast)**

NO	SN	Name	QTY	Remarks
1	910800100003	O-ring - inner 17x.65	2	
2	271544029005	Joint (straight) 10 - M20x1. 5 - M18x1. 5-60 °	2	
3	271544019001	Hydraulic steel tube assembly (left)	1	
4	271544020008	Hydraulic tube assembly (straight) 8 - sc L360-1-60 °	1	
5	271544029002	Hydraulic tube assembly (90 °) 10 - L800-2 sc - 60 °	1	
6	271544029003	Speed limit valve sub	1	
7	271544029004	Pressure compensation valve assembly	1	
8	910800100015	O-ring - inner 19x.65	1	
9	271544019002	Hydraulic steel pipe assembly (right)	1	

Lifting pipeline (two-stage full free mast)

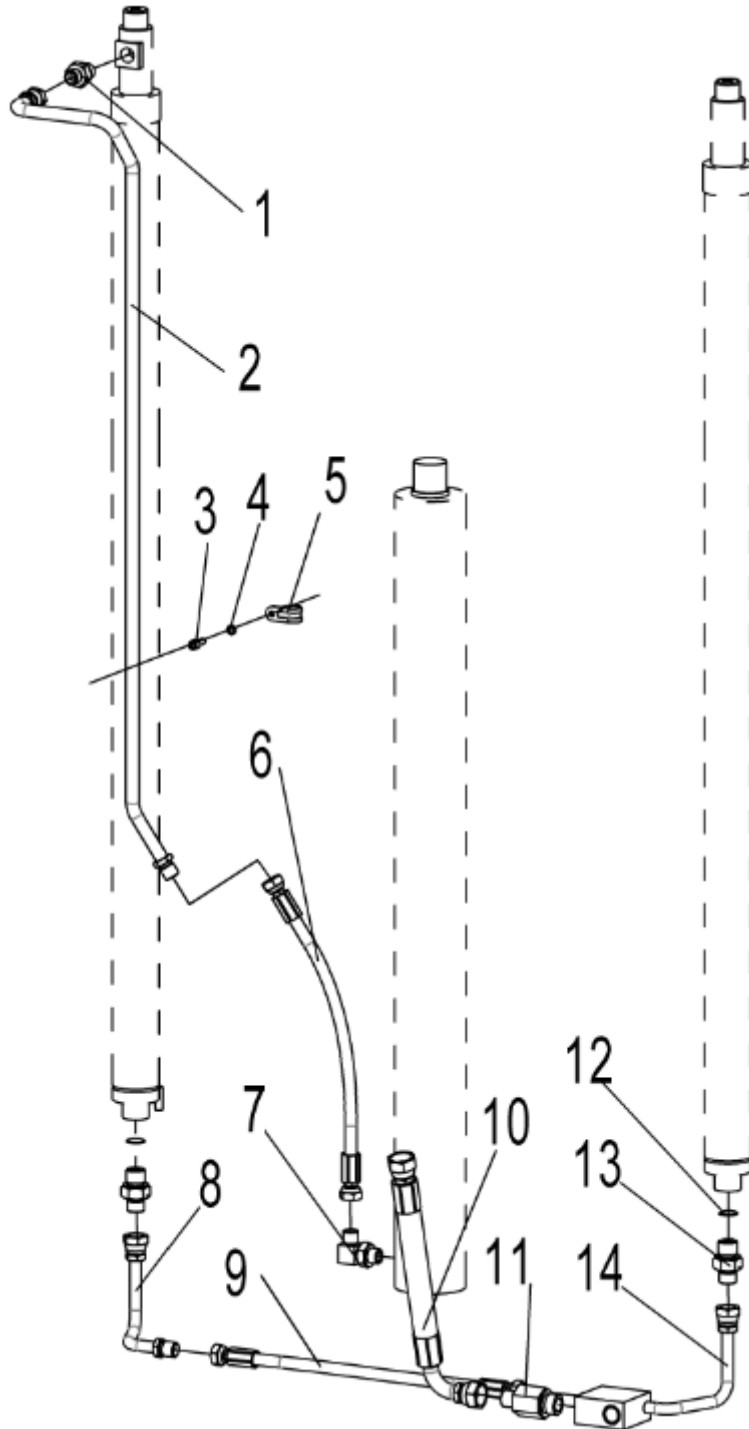


Figure 22

Figure22 Lifting pipeline (two-stage full free mast)

NO	SN	Name	QTY	Remarks
1	255023520034	Joint (straight) 8-2 xm16x1. 5-60 °	1	
2	271543529101	Lifting steel pipe welding L=960	1	H=2500/2700
	271543529102	Lifting steel pipe welding L=1200	1	H=3000/3500
	271543529103	Lifting steel tube welding L=1450	1	H=3700
	271543529104	Lifting steel pipe welding L=1650	1	H=4000/4300
	271543529105	Lifting steel pipe welding L=1900	1	H=4500
	271543529106	Lifting steel tube welding L=2175	1	H=5000
3	910200200035	Screw GB70.1 M6x16-8.8	1	
4	910400500005	Spring washer GB93-6	1	
5	951000100003	Pipe clamp YGE wrap 15	1	
6	255030520050	Hydraulic tube assembly (straight) 8 - sc L300-1-60 °	1	H=2500
	271543529111	Hydraulic tube assembly (straight) 8 - sc L400-1-60 °	1	H=2700
	255030520008	Hydraulic tube assembly (straight) 8 - sc L360-1-60 °	1	H=3000
	255042520001	Hydraulic tube assembly (straight) 8 - sc L500-1-60 °	1	H=3500
	255030520008	Hydraulic tube assembly (straight) 8 - sc L360-1-60 °	1	H=3700
	255030520008	Hydraulic tube assembly (straight) 8 - sc L360-1-60 °	1	H=4000
	255042520001	Hydraulic tube assembly (straight) 8 - sc L500-1-60 °	1	H=4300
	255030520008	Hydraulic tube assembly (straight) 8 - sc L360-1-60 °	1	H=4500
	255030520008	Hydraulic tube assembly (straight) 8 - sc L360-1-60 °	1	H=5000
7	253523510002	Joint (lock) 8 - M16x1. 5 - M16x1. 5-60 °	1	
8	271544019001	Hydraulic steel tube assembly (left)	1	
9	255030520008	Hydraulic tube assembly (straight) 8 - sc L360-1-60 °	1	
10	271544029002	Hydraulic tube assembly (90 °) 10 - L800-2 sc - 60 °	1	
11	271544001902	Speed limiting valve assembly	1	
12	910800100003	O-ring - inner 17x.65	2	
13	271544029005	Joint (straight) 10 - M20x1. 5 - M18x1. 5-60 °	1	
14	271544019002	Hydraulic steel pipe assembly (right)	1	

Lifting pipeline (three-stage full free mast)

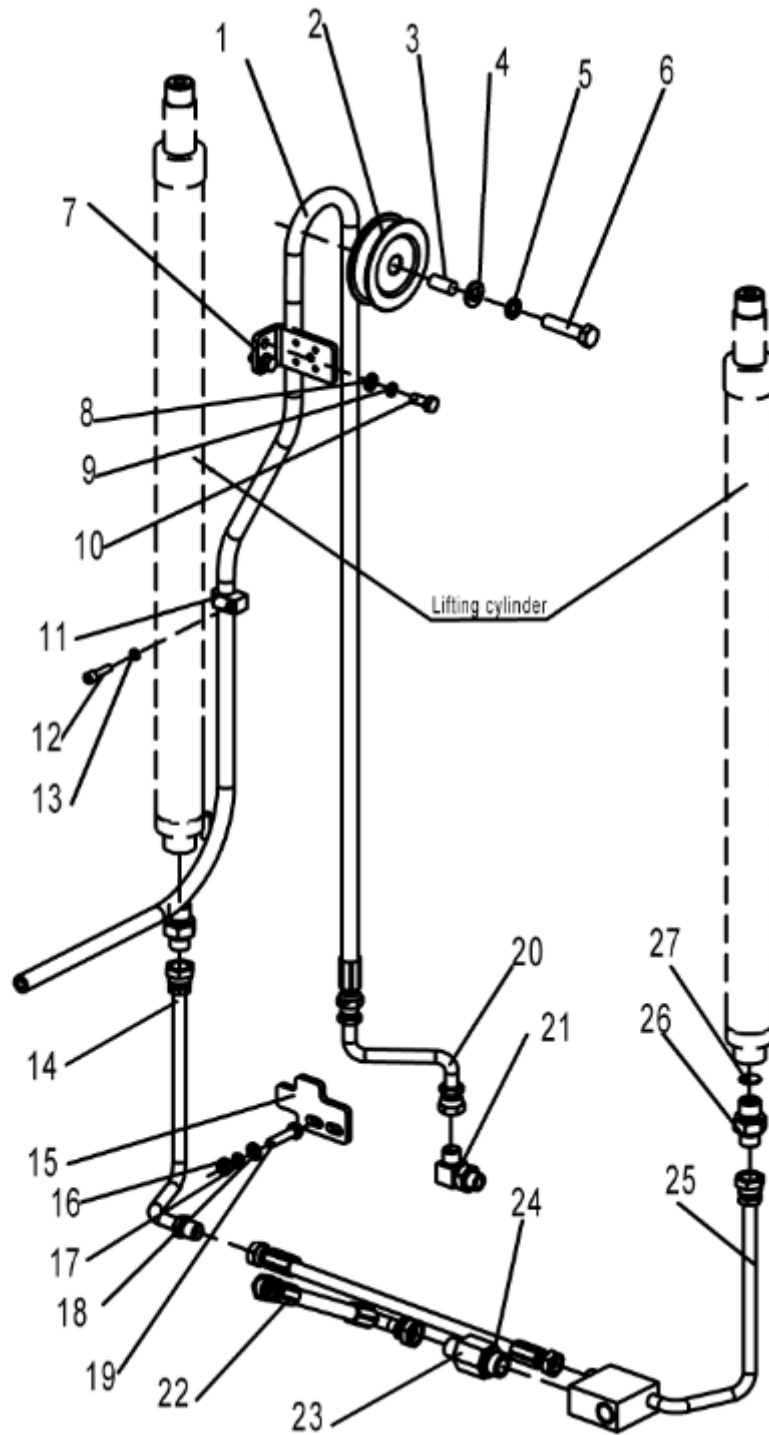


Figure 23

Figure23 Lifting pipeline (three-stage full free mast)

NO	SN	Name	QTY	Remarks
1	271544529101	Hydraulic tube assembly (straight) 8 - sc L3750-1-60 °	1	H=4000
	255028520061	Hydraulic tube assembly (straight) 8 - sc L3920-1-60 °	1	H=4350
	271544529102	Hydraulic tube assembly (straight) 8 - sc L4050-1-60 °	1	H=4500
	271544529103	Hydraulic tube assembly (straight) 8 - sc L4250-1-60 °	1	H=4800
	281227511004	Hydraulic tube assembly (straight) 8 - sc L4500-1-60 °	1	H=5000
	271544529104	Hydraulic tube assembly (straight) 8 - sc L4630-1-60 °	1	H=5500
	255028520013	Hydraulic tube assembly (straight) 8 - sc L4970-1-60 °	1	H=6000
2	271544529004	Pulley Φ x18 84 (single slot)	1	
3	255036020007	Bushing Φ Φ x19 13 x 20	1	
4	910400100008	The flat washer GB97.1-12-200 HV	1	
5	910400500008	Spring washer GB93-12	1	
6	910100300052	Bolt GB5783 M12x40-8.8	1	
7	271544529005	Mounting plate	1	
8	910400500006	Spring washer GB93-8	4	
9	910400100006	The flat washer GB97.1-8-200 HV	4	
10	910100300022	Bolt GB5783 M8x20-8.8	2	
11	271544529001	Hose fixing block	4	
12	910200200038	Screw GB70.1 M6x25-8.8	4	
13	910400500005	Spring washer GB93-6	4	
14	271544519001	Hydraulic steel tube assembly (left)	1	
15	271544529003	The limit board	1	
16	910300100006	Nut GB6170 M8-10	1	
17	910400500006	Spring washer GB93-8	4	
18	910400100006	The flat washer GB97.1-8-200 HV	4	
19	910100300024	Bolt GB5783 M8x30-8.8	2	
20	271544519002	Steel tube assembly (main)	1	
21	253523510002	Joint (lock) 8 - M16x1. 5 - M16x1. 5-60 °	1	

Lifting pipeline (three-stage full free mast)

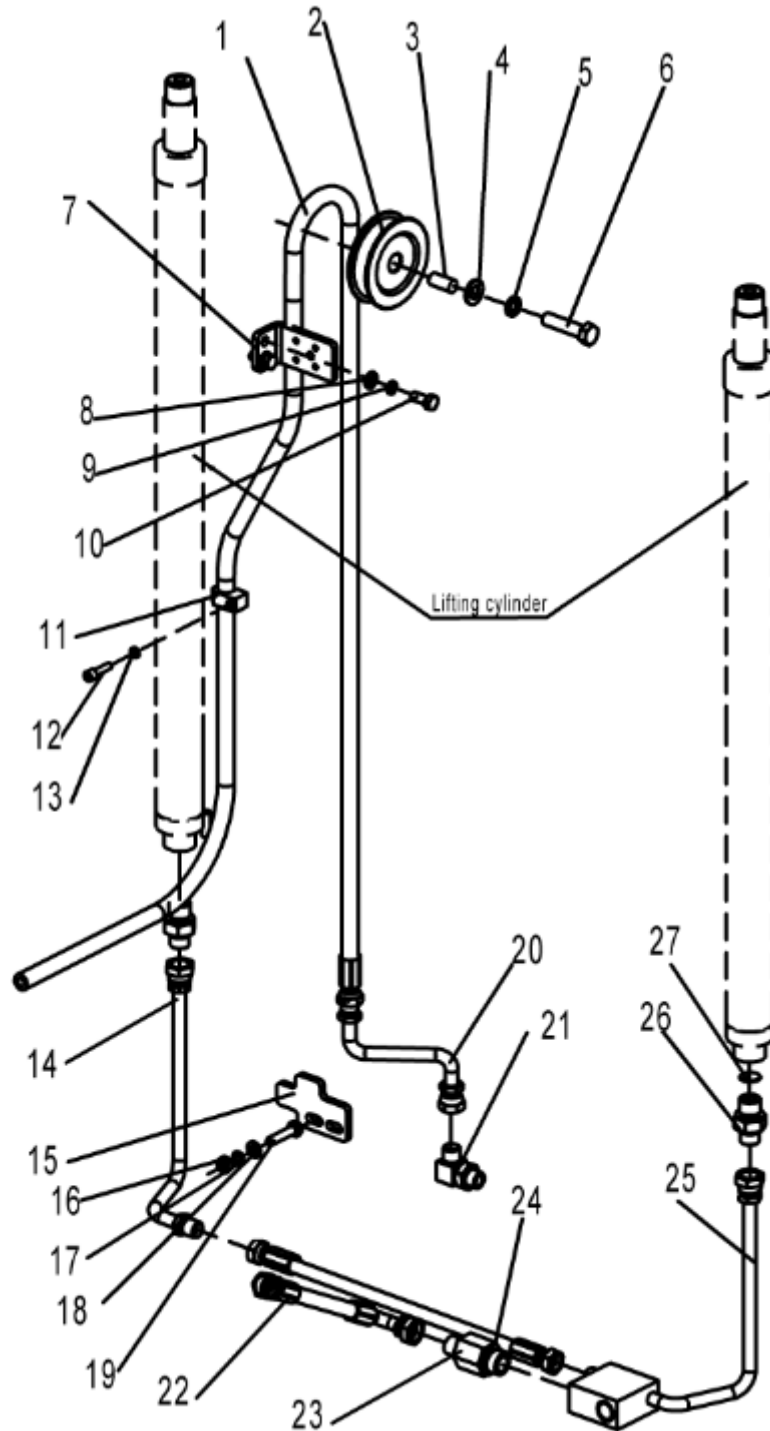


Figure 23

Figure23 Lifting pipeline (three-stage full free mast)

NO	SN	Name	QTY	Remarks
22	271544029002	Hydraulic tube assembly (90 °) 10 - L800-2 sc - 60 °	1	
23	271544001902	Speed limiting valve assembly	1	
24	255030520008	Hydraulic tube assembly (straight) 8 - sc L360-1-60 °	1	
25	271544519003	Hydraulic steel pipe assembly (right)	1	
26	271544029005	Joint (straight) 10 - M20x1.5 - M18x1.5-60 °	1	

Side shifter and pipeline installation (standard mast)

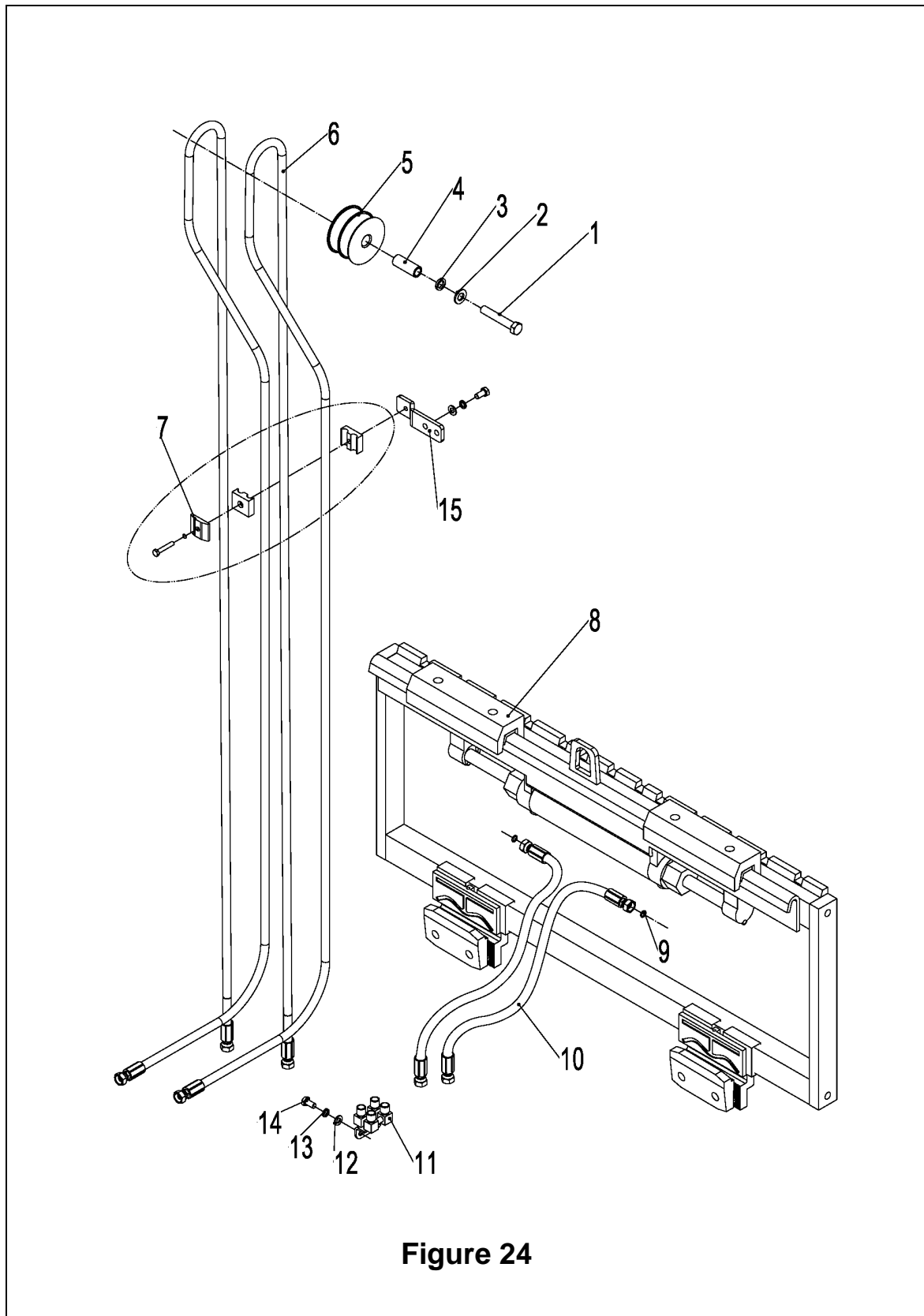


Figure 24

Figure24 Side shifter and pipeline installation (standard mast)

NO	SN	Name	QTY	Remarks
1	910100300057	Bolt GB5783 M12x70-8.8	1	
2	910400500008	Spring washer GB93-12	1	
3	910400100008	The flat washer GB97.1-12-200 HV	1	
4	271527521002	Shaft sleeve Φ 18 Φ x47 12.5 x	1	
5	271527521003	Pulley Φ x46 74 (dual slot)	1	
6	271527520001	Hydraulic tube assembly (straight) 6 - sc L2940-1-60 °	2	H=2500
	271527520002	Hydraulic tube assembly (straight) 6 - sc L3150-1-60 °	2	H=2700
	271527520003	Hydraulic tube assembly (straight) 6 - sc L3450-1-60 °	2	H=3000
	271527520004	Hydraulic tube assembly (straight) 6 - sc L3750-1-60 °	2	H=3300
	271527520005	Hydraulic tube assembly (straight) 6 - sc L3920-1-60 °	2	H=3500
	271527520006	Hydraulic tube assembly (straight) 6 - sc L4150-1-60 °	2	H=3700
	271527520007	Hydraulic tube assembly (straight) 6 - sc L4400-1-60 °	2	H=4000
	271527520008	Hydraulic tube assembly (straight) 6 - sc L4700-1-60 °	2	H=4300
	271527520009	Hydraulic tube assembly (straight) 6 - sc L4900-1-60 °	2	H=4500
	271527520010	Hydraulic tube assembly (straight) 6 - sc L5400-1-60 °	2	H=5000
7	271544001101	Double pipe clamp	3	
8	272042510001	Side shifter assembly (linkage)	1	
9	910800100001	O-ring - internal 9.5x1.8	2	
10	251042520001	Hydraulic hose assemblies (90 °), 6 - sc L400-1-60 °	2	
11	271527511001	Four-hole valve assembly	1	
12	910400100006	The flat washer GB97.1-8-200 HV	2	
13	910400500006	Spring washer GB93-8	2	
14	910100300022	Bolt GB5783 M8x20-8.8	2	
15	271527521001	Mounting bracket	1	

Side shifter and pipeline installation(two-stage full free mast)

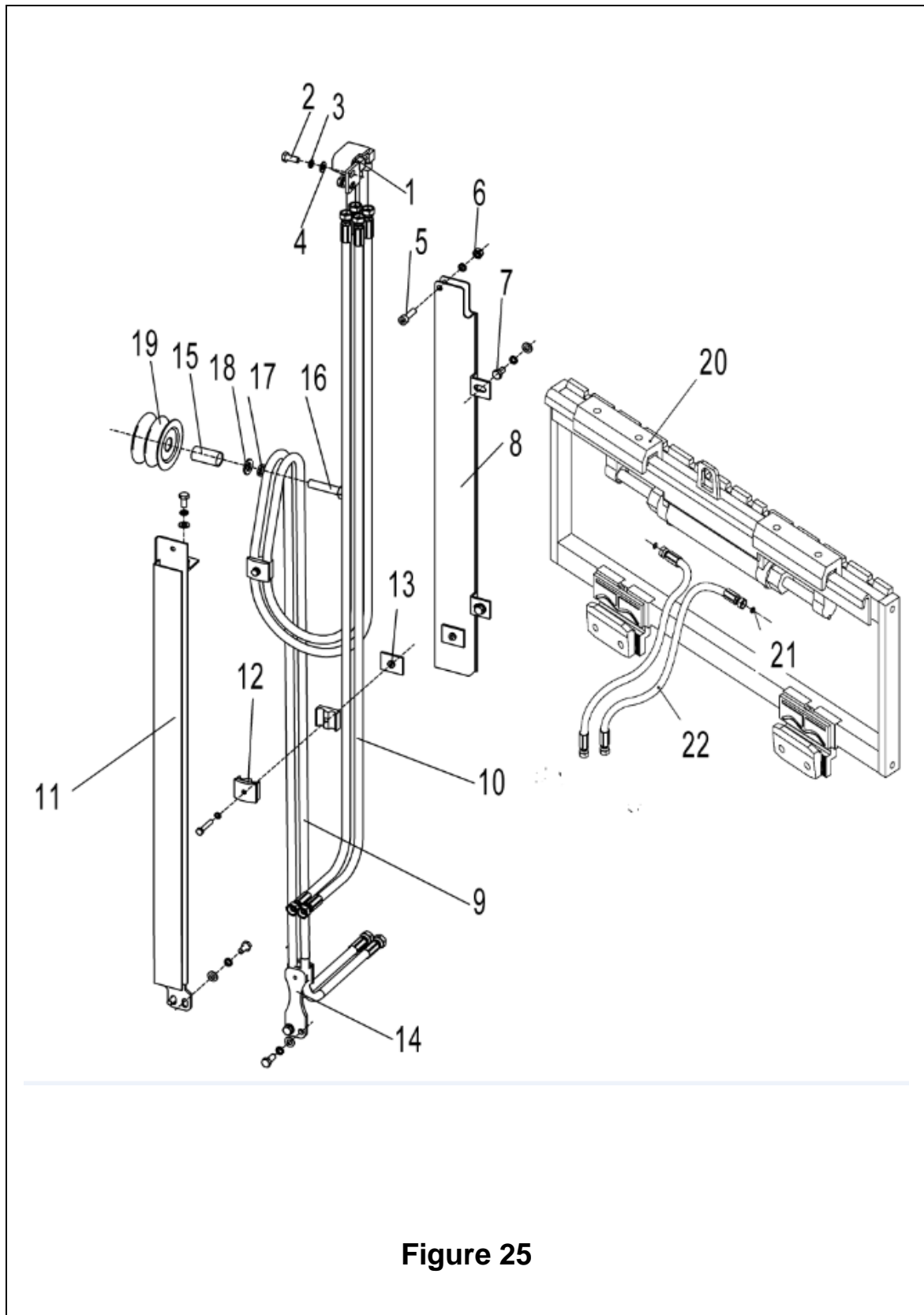


Figure 25

Figure25 Side shifter and pipeline installation(two-stage full free mast)

NO	SN	Name	QTY	Remarks
1	271528511001	Four-way valve assembly (triple)	1	
2	910100300022	Bolt GB5783 M8x20-8.8	3	
3	910400500006	Spring washer GB93-8	10	
4	910400100006	The flat washer GB97.1-8-200 HV	8	
5	910200200059	Screw GB70.1 M8x30-8.8	2	
6	910300100006	Nut GB6170 M8-10	2	
7	910100300020	Bolt GB5783 M8x16-8.8	5	
8	271528510101	Soldering L=570	1	H=2500
	271528510102	Outer guide groove welding L=670	1	H=2700
	271528510103	Outer guide groove welding L=820	1	H=3000
	271528510104	Outer guide groove welding L=970	1	H=3300
	271528510105	Outer guide groove welding L=1070	1	H=3500
	271528510106	Soldering of outer guide groove L=1170	1	H=3700
	271528510107	Outer guide groove welding L=1370	1	H=4000
	271528510108	Soldering of outer guide groove L=1520	1	H=4300
	271528510109	Outer guide groove welding L=1620	1	H=4500
	271528510110	Solder L=1895	1	H=5000
9	271528520161	Hydraulic tube assembly (straight) 6 - sc L2050-1-60 °	2	H=2500
	271528520157	Hydraulic tube assembly (straight) 6 - sc L2250-1-60 °	2	H=2700
	271528520162	Hydraulic tube assembly (straight) 6 - sc L2550-1-60 °	2	H=3000
	271528520163	Hydraulic tube assembly (straight) 6 - sc L2850-1-60 °	2	H=3300
	271528520164	Hydraulic tube assembly (straight) 6 - sc L3150-1-60 °	2	H=3500
	271528520165	Hydraulic tube assembly (straight) 6 - sc L3350-1-60 °	2	H=3700
	271528520166	Hydraulic tube assembly (straight) 6 - sc L3650-1-60 °	2	H=4000
	271528520167	Hydraulic tube assembly (straight) 6 - sc L3950-1-60 °	2	H=4300
	271528520168	Hydraulic tube assembly (straight) 6 - sc L4150-1-60 °	2	H=4500
	271528520169	Hydraulic tube assembly (straight) 6 - sc L4650-1-60 °	2	H=5000

Side shifter and pipeline installation(two-stagefull free mast)

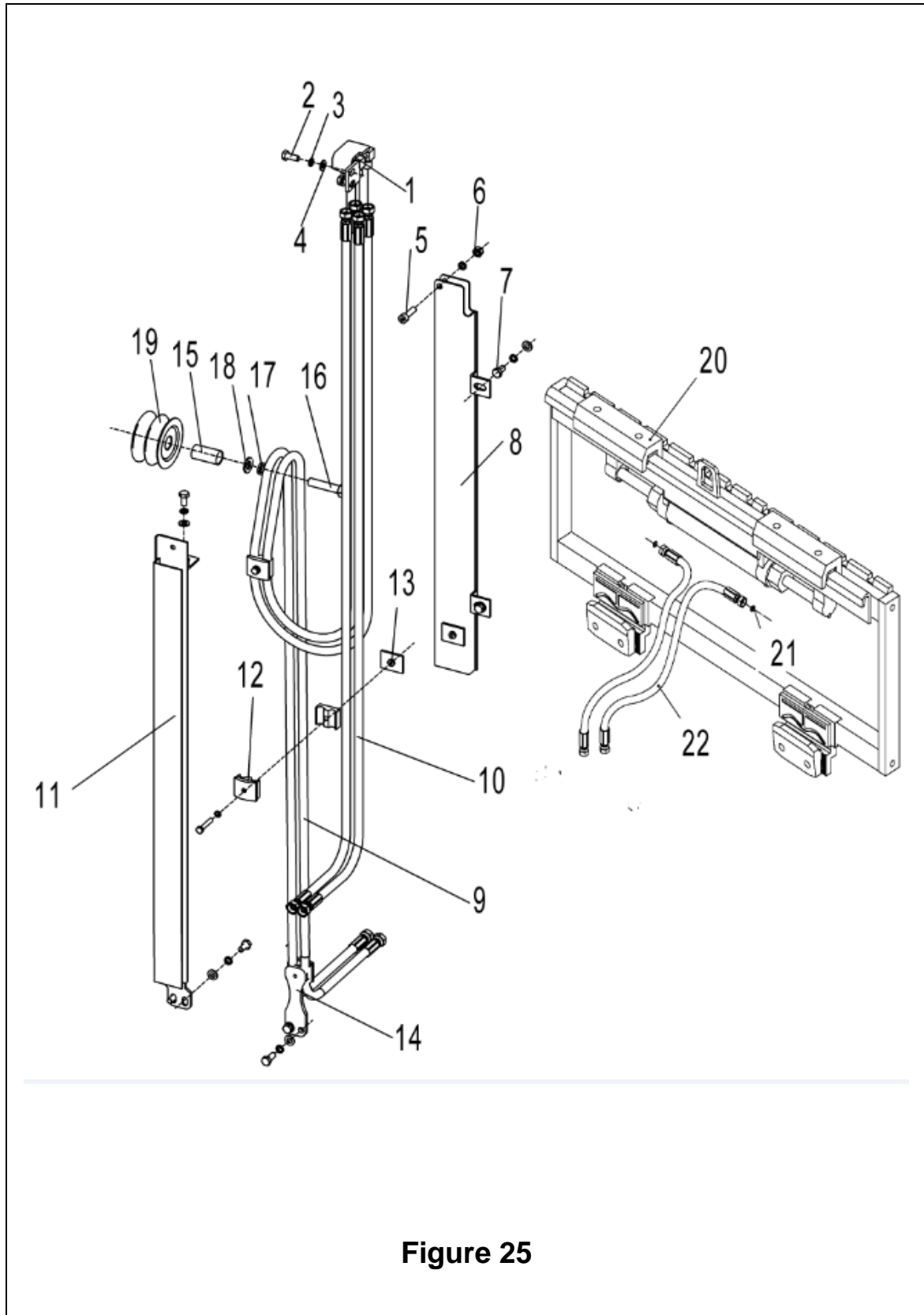


Figure 25

Figure25 Side shifter and pipeline installation(two-stage full free mast)

NO	SN	Name	QTY	Remarks
10	271528520151	Hydraulic tube assembly (straight) 6 - sc L1500-1-60 °	2	H=2500
	271528520152	Hydraulic tube assembly (straight) 6 - sc L1600-1-60 °	2	H=2700
	271528520153	Hydraulic tube assembly (straight) 6 - sc L1750-1-60 °	2	H=3000
	271528520154	Hydraulic tube assembly (straight) 6 - sc L1900-1-60 °	2	H=3300
	271528520155	Hydraulic tube assembly (straight) 6 - sc L2000-1-60 °	2	H=3500
	271528520156	Hydraulic tube assembly (straight) 6 - sc L2100-1-60 °	2	H=3700
	271528520157	Hydraulic tube assembly (straight) 6 - sc L2250-1-60 °	2	H=4000
	271528520158	Hydraulic tube assembly (straight) 6 - sc L2400-1-60 °	2	H=4300
	271528520159	Hydraulic tube assembly (straight) 6 - sc L2500-1-60 °	2	H=4500
	271528520160	Hydraulic tube assembly (straight) 6 - sc L2750-1-60 °	2	H=5000
11	271528510111	Inner guide groove welding L=490	1	H=2500
	271528510112	Inner guide groove welding L=590	1	H=2700
	271528510113	Inner guide groove welding L=740	1	H=3000
	271528510114	Inner guide groove welding L=890	1	H=3300
	271528510115	Inner guide groove welding L=990	1	H=3500
	271528510116	Inner guide groove welding L=1090	1	H=3700
	271528510117	Inner guide groove welding L=1240	1	H=4000
	271528510118	Inner guide groove welding L=1390	1	H=4300
	271528510119	Inner guide groove welding L=1490	1	H=4500
	271528510120	Inner guide groove welding L=1740	1	H=5000
12	271544001101	Double pipe clamp	5	
13	271530520103	Mounting plate	2	
14	910100300022	Bolt GB5783 M8x20-8.8	4	
15	271530520105	Shaft sleeve Φ 17 Φ x41 12.5 x	2	
16	910100300055	Bolt GB5783 M12x55-8.8	1	
17	910400500008	Spring washer GB93-12	1	
18	910400100008	The flat washer GB97.1-12-200 HV	1	
19	271527521003	Pulley Φ x46 74 (dual slot)	1	

Side shifter and pipeline installation(three-stage full free mast)

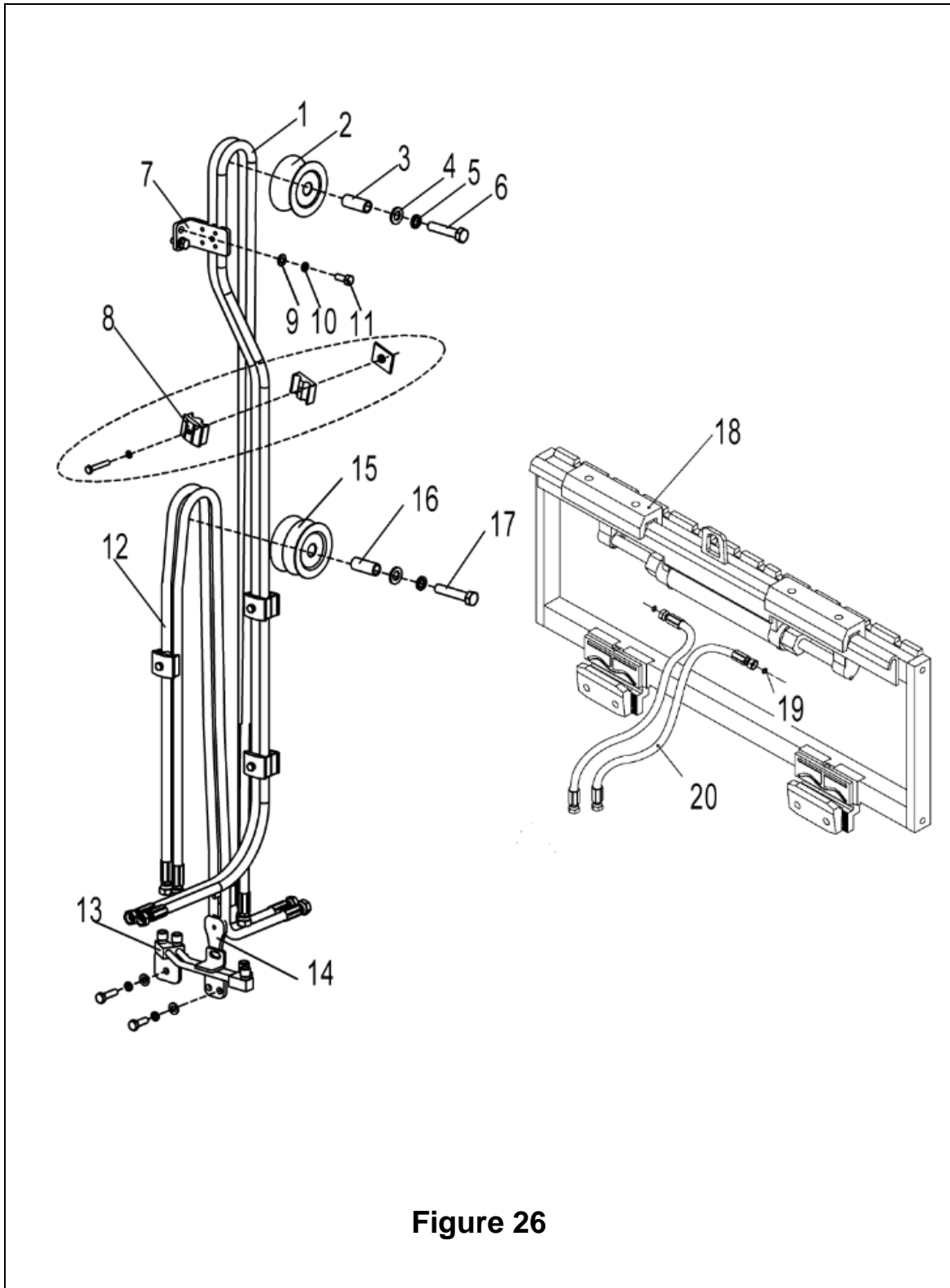


Figure 26

Figure26 Side shifter and pipeline installation(three stage full free)

NO	SN	Name	QTY	Remarks
1	271530520111	Hydraulic tube assembly (straight) 8 - sc L3300-1-60 °	2	H=4000
	271530520112	Hydraulic tube assembly (straight) 8 - sc L3500-1-60 °	2	H=4350
	271530520113	Hydraulic tube assembly (straight) 8 - sc L3600-1-60 °	2	H=4500
	271530520114	Hydraulic tube assembly (straight) 8 - sc L3800-1-60 °	2	H=4800
	271530520115	Hydraulic tube assembly (straight) 8 - sc L4000-1-60 °	2	H=5000
	271530520116	Hydraulic tube assembly (straight) 8 - sc L4360-1-60 °	2	H=5500
	271527520008	Hydraulic tube assembly (straight) 8 - sc L4700-1-60 °	2	H=6000
2	271530520104	Pulley Φ x38 54 (single slot)	1	
3	271530520105	Bushing Φ Φ x33 13 x 20	1	
4	910400100008	The flat washer GB97.1-12-200 HV	2	
5	910400500008	Spring washer GB93-12	1	
6	910100300055	Bolt GB5783 M12x55-8.8	1	
7	271530520102	Hose clamp	1	
8	271544001101	Double pipe clamp	5	
9	910400100006	The flat washer GB97.1-8-200 HV	7	
10	910400500006	Spring washer GB93-8	7	
11	910100300023	Bolt GB5783 M8x25-8.8	7	
12	271530520101	Hydraulic tube assembly (straight) 8 - sc L1960-1-60 °	2	H=4000
	271530520102	Hydraulic tube assembly (straight) 8 - sc L2050-1-60 °	2	H=4350
	271530520103	Hydraulic tube assembly (straight) 8 - sc L2140-1-60 °	2	H=4500
	271530520104	Hydraulic tube assembly (straight) 8 - sc L2240-1-60 °	2	H=4800
	271530520105	Hydraulic tube assembly (straight) 8 - sc L2340-1-60 °	2	H=5000

Side shifter and pipeline installation(three-stage full free mast)

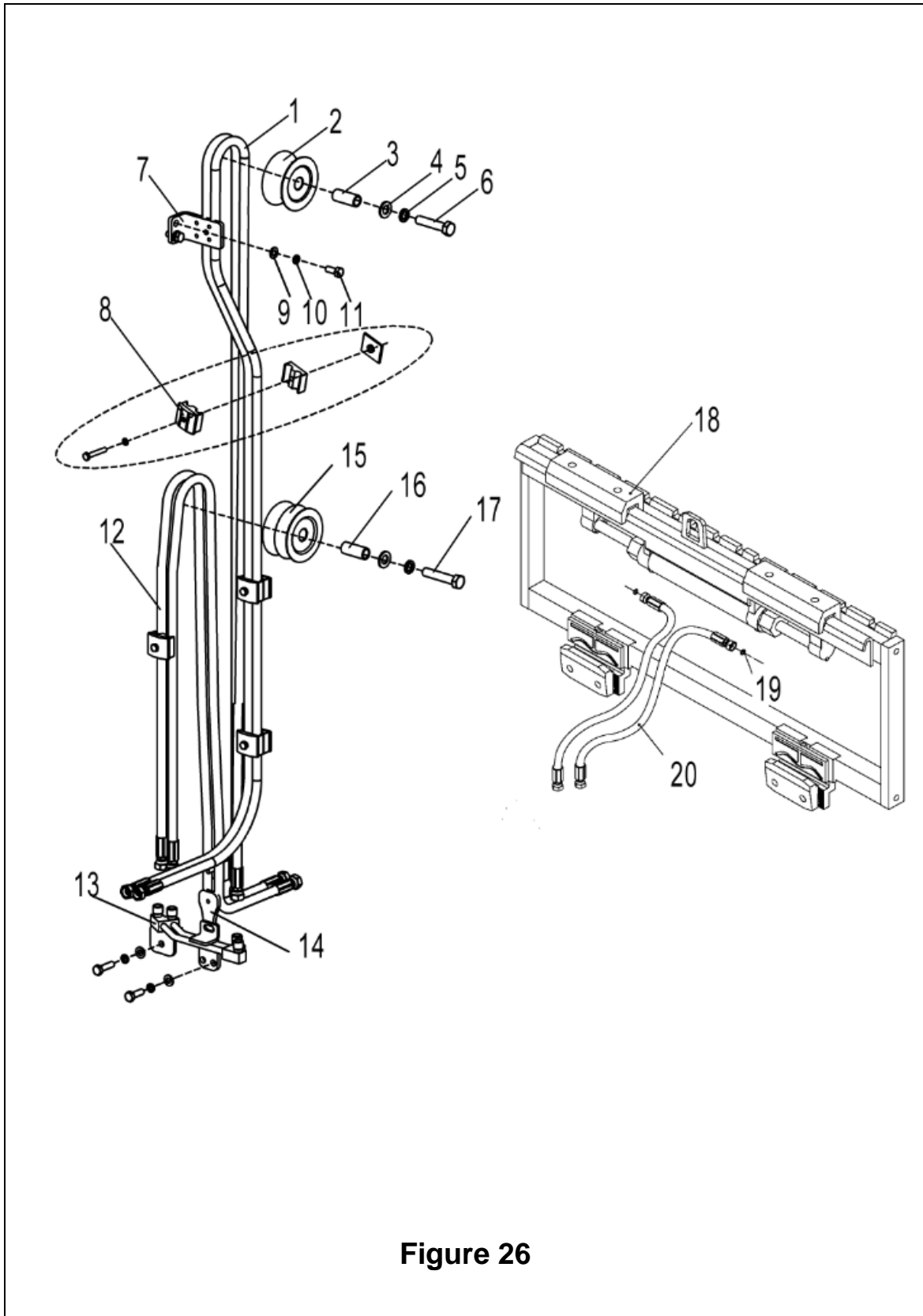


Figure 26

Figure26 Side shifter and pipeline installation(three-stage full free mast)

NO	SN	Name	QTY	Remarks
12	271530520106	Hydraulic tube assembly (straight) 8 - sc L2520-1-60 °	2	H=5500
	271530520107	Hydraulic tube assembly (straight) 8 - sc L2690-1-60 °	2	H=6000
13	271530511001	Hydraulic steel tube assembly (triple)	1	
14	271530520103	Mounting plate	1	
15	271527521003	Pulley Φ x46 74 (dual slot)	3	
16	271530520106	Bushing Φ Φ x41 13 x 20	1	
17	910100300056	Bolt GB5783 M12x60-8.8	1	
18	272042510001	Side shifter assembly (linkage)	1	
19	910800100001	O-ring - internal 9.5x1.8	2	
20	251042520001	Hydraulic hose assemblies (90 °), 6 - sc L400-1-60 °	2	

Fork

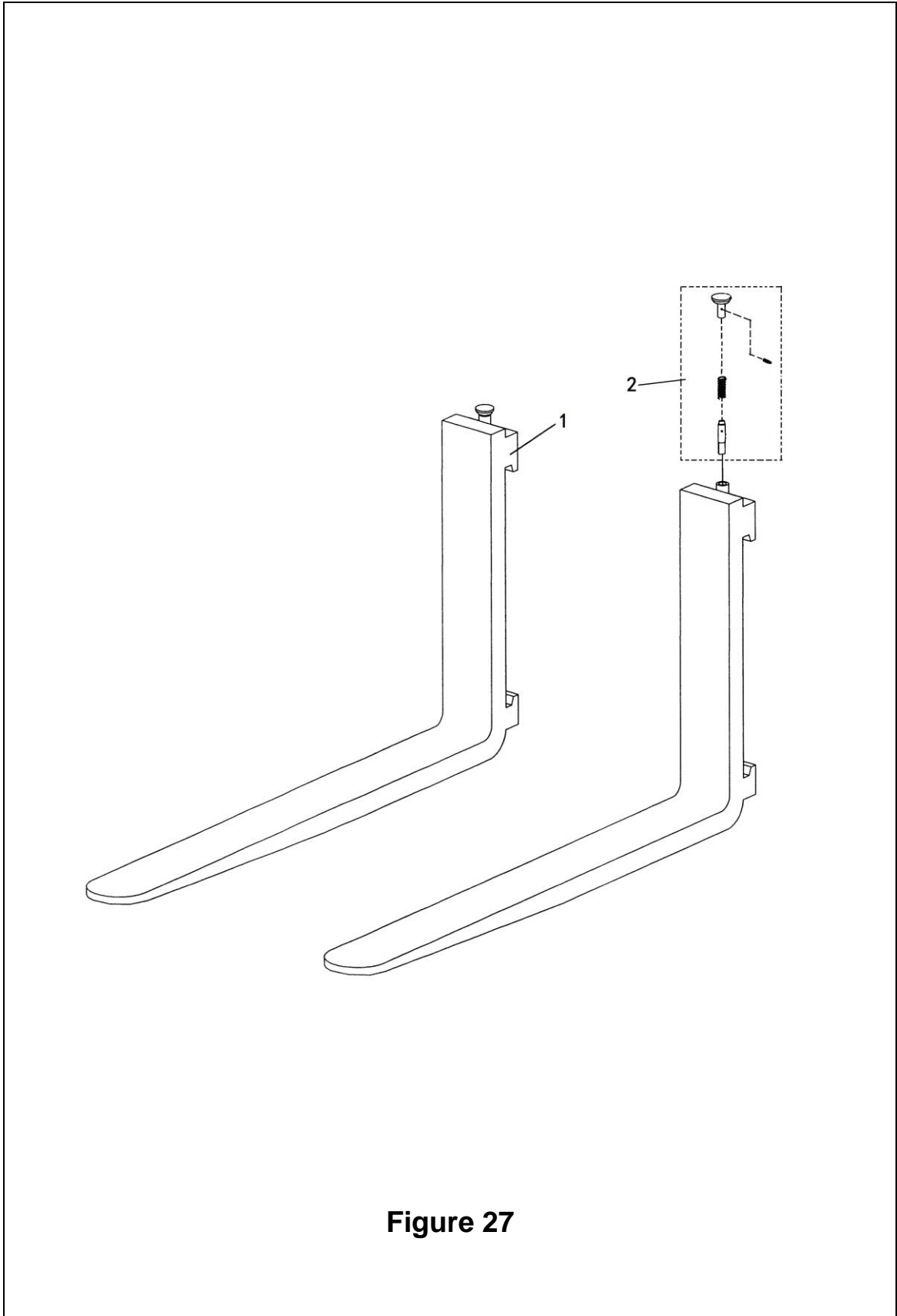


Figure 27

Figure27**Fork**

NO	SN	Name	QTY	Remarks
A	940100100001	Peg 100 x35x920 II type A pallet fork	2	Inc.1-2
	940100100002	Peg 100 x35x950 II type A pallet fork	2	
	940100100003	Peg 100 x35x1070 II type A pallet fork	2	
	940100100004	Peg 100 x35x1150 II type A pallet fork	2	
	940100100005	Peg 100 x35x1220 II type A pallet fork	2	
1	▲	The pallet fork body	2	
2	253098514101	Lift pin assembly	2	

Fork rack (standard mast)

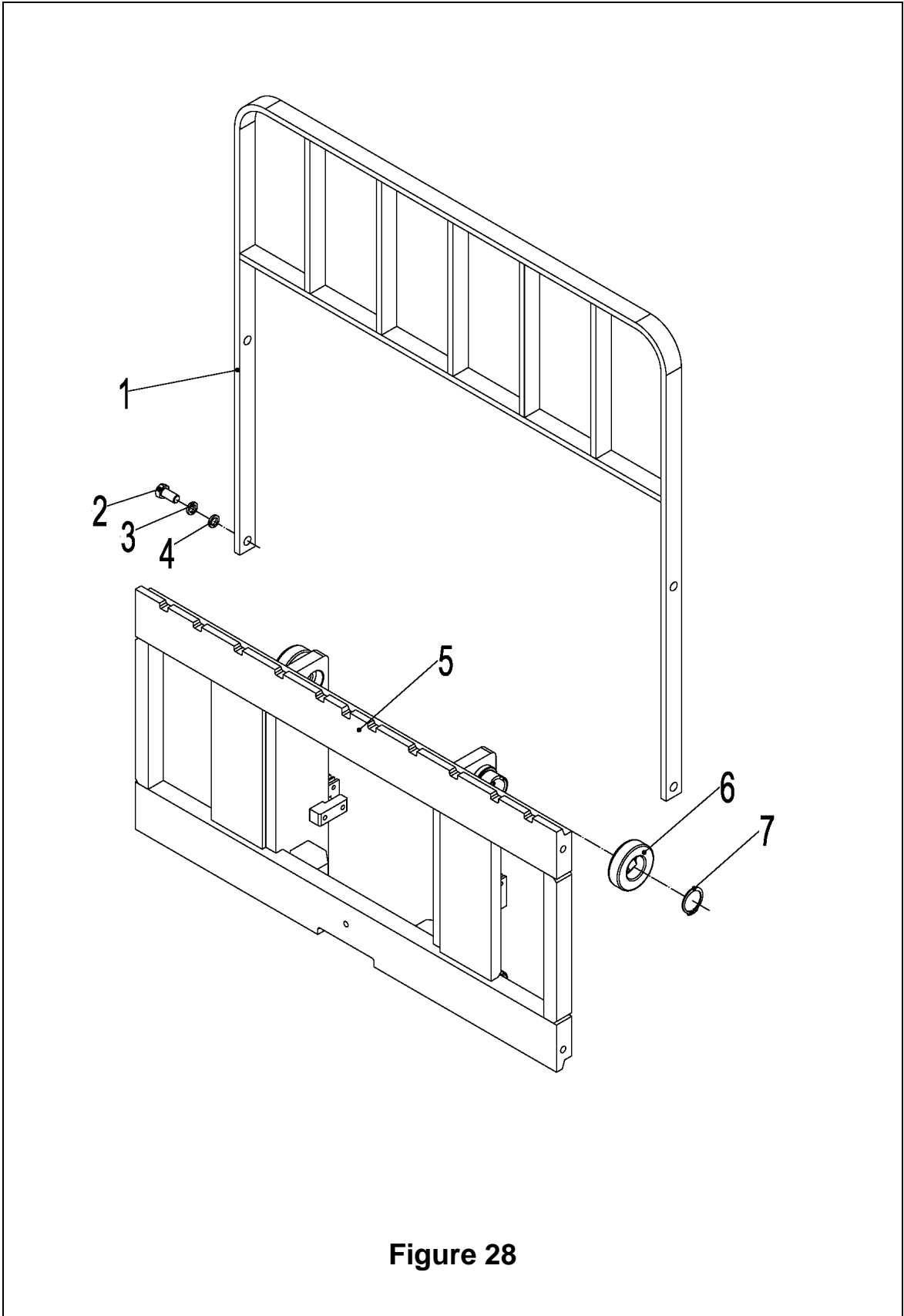


Figure 28

Figure28 Fork rack (standard mast)

NO	SN	Name	QTY	Remarks
1	271540511001	Shelf welding (825x878)	1	
2	910100300050	Bolt GB5783 M12x30-8.8	4	
3	910400500008	Spring washer GB93-12	4	
4	910400100008	The flat washer GB97.1-12-200 HV	4	
5	271538011001	Fork rack (standard mast)	1	
6	940200300028	Composite roller Φ 70.6 = 52.5-56.5 range	4	
7	910401300018	Axis with elastic catch GB894.1-35	4	

Fork rack (two-stage full free mast)

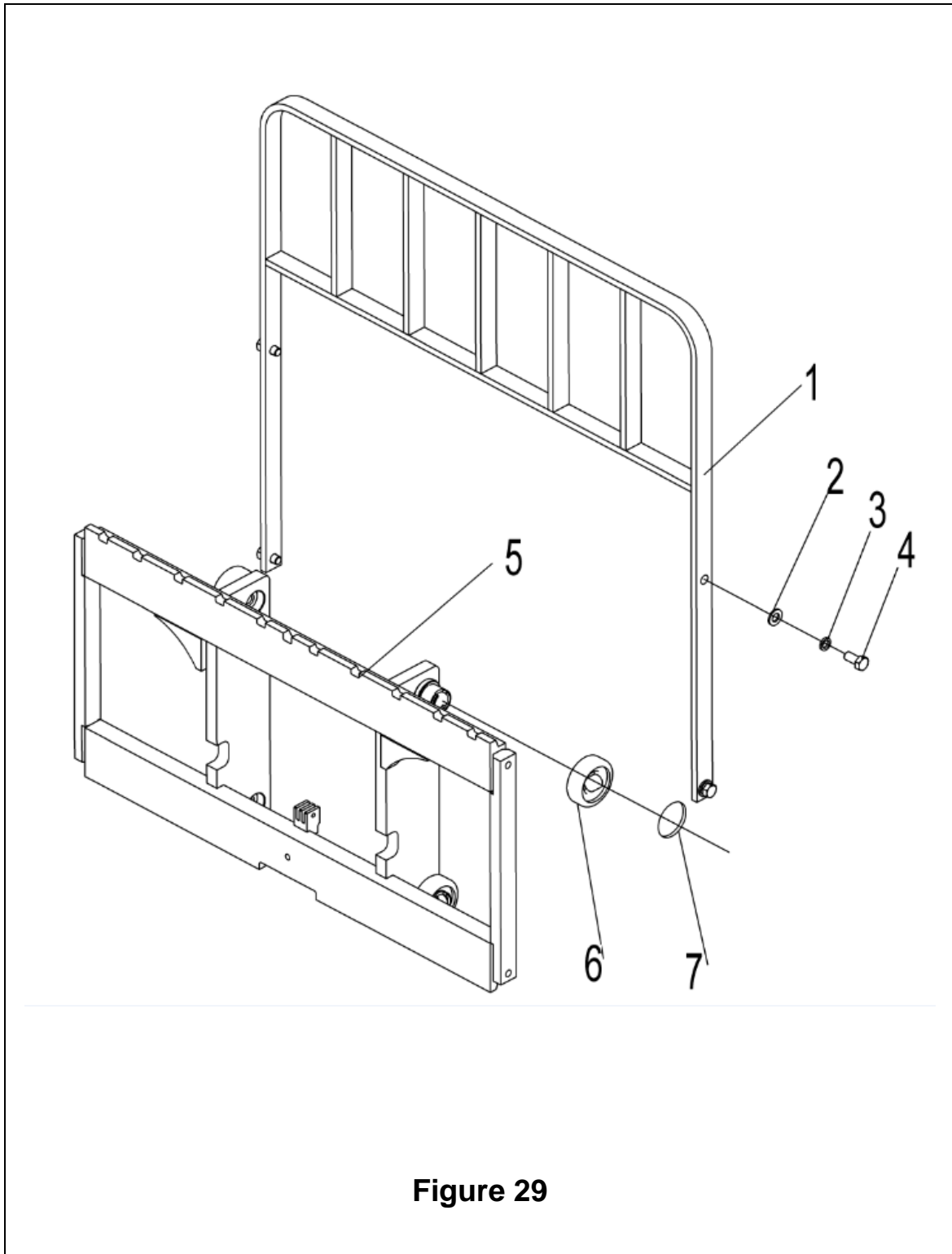


Figure 29

Figure29 Fork rack (two-stage full free mast)

NO	SN	Name	QTY	Remarks
1	271540511001	Shelf welding (825x878)	1	
2	910400100008	The flat washer GB97.1-12-200 HV	4	
3	910400500008	Spring washer GB93-12	4	
4	910100300050	Bolt GB5783 M12x30-8.8	4	
5	271538012001	Fork rack (two-stage full free mast)	1	
6	940200300028	Composite roller Φ 70.6 = 52.5-56.5 range	4	
7	910401300018	Axis with elastic catch GB894.1-35	4	

Fork rack (Three-stage full free mast)

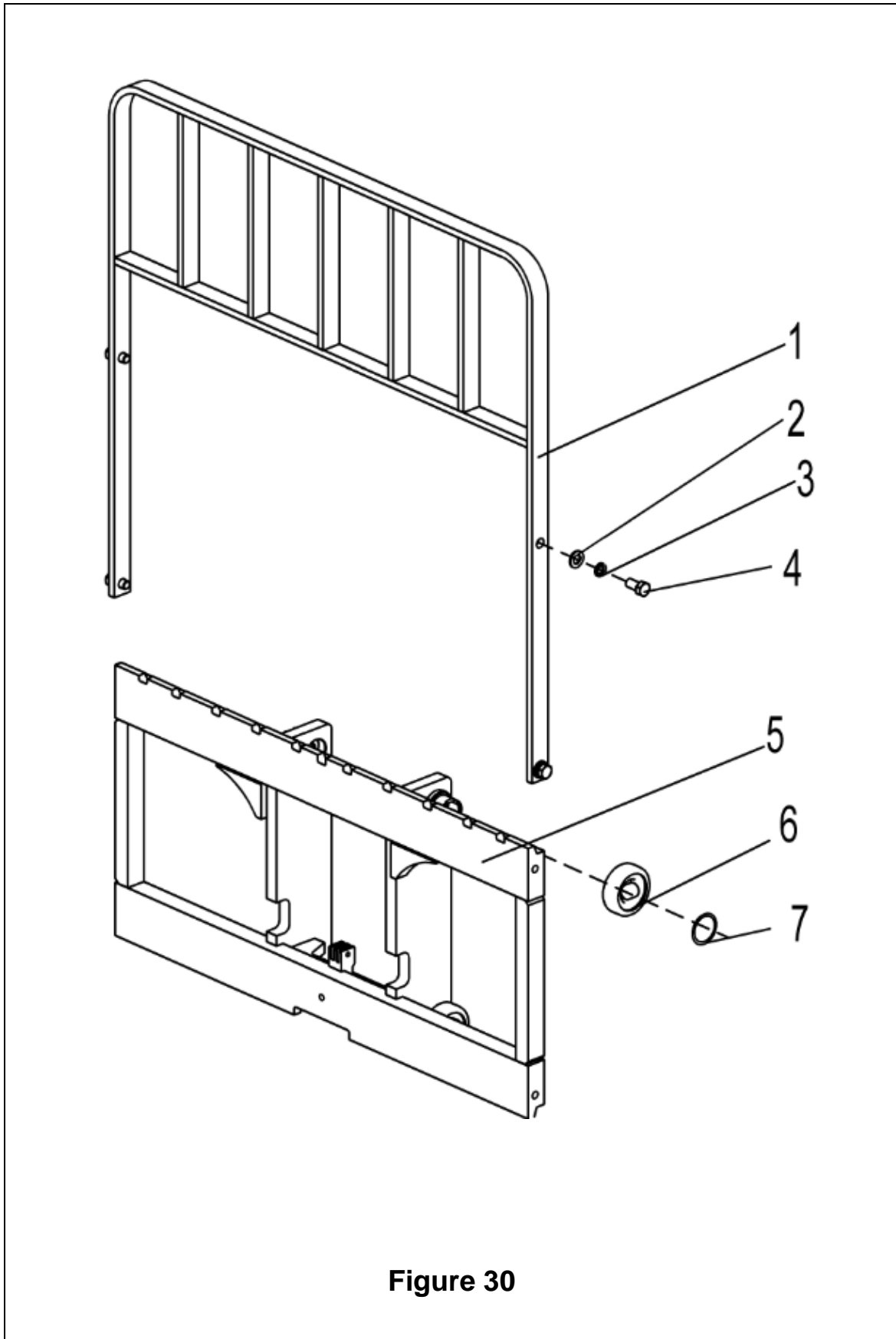


Figure 30

Figure30 Fork rack (three-stage full free mast)

NO	SN	Name	QTY	Remarks
1	271540511001	Shelf welding (825x878)	1	
2	910400500008	Spring washer GB93-12	4	
3	910400100008	The flat washer GB97.1-12-200 HV	4	
4	910100300050	Bolt GB5783 M12x30-8.8	4	
5	271538013001	Fork rack (three-stage full free mast)	1	
6	940200300028	Composite roller Φ 70.6 = 52.5-56.5 range	4	
7	910401300018	Axis with elastic catch GB894.1-35	4	

Mast (standard mast)

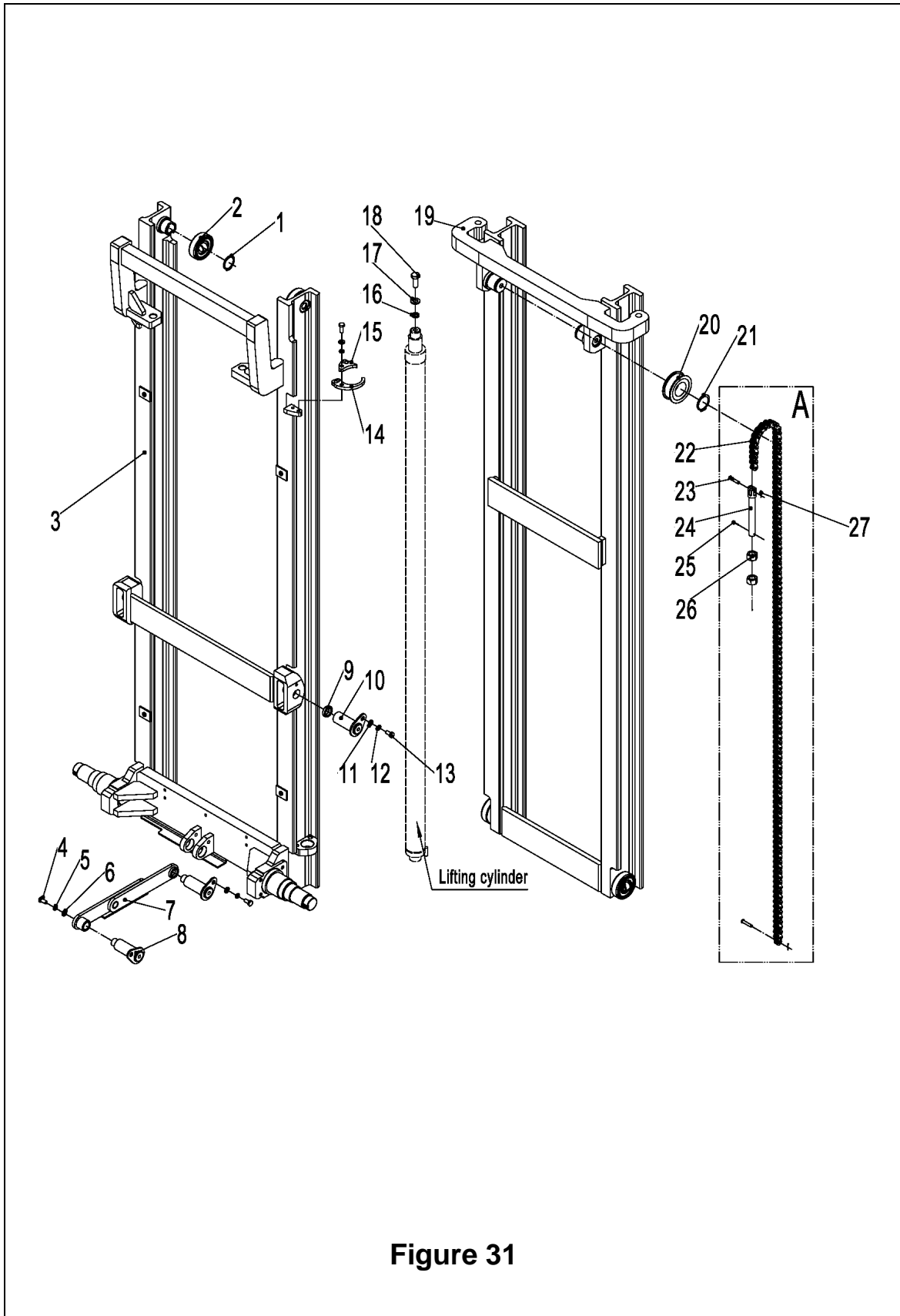


Figure 31

Figure31**Mast (standard mast)**

NO	SN	Name	QTY	Remarks
1	940200300028	Composite roller Φ 70.6 = 52.5-56.5 range	4	
2	910401300018	Axis with elastic catch GB894.1-35	4	
3	271544011001	Outside mast (2500).	1	H=2500
	271544011002	Outside mast (2700).	1	H=2700
	271544011003	Outside mast (3000).	1	H=3000
	271544011004	Outside mast (3300).	1	H=3300
	271544011005	Outside mast (3500).	1	H=3500
	271544011006	Outside mast (3700).	1	H=3700
	271544011007	Outside mast (4000).	1	H=4000
	271544011008	Outside mast (4300).	1	H=4300
	271544011009	Outside mast (4500).	1	H=4500
	271544011010	Outside mast (5000).	1	H=5000
4	910100300035	Bolt GB5783 M10x20-8.8	2	
5	910400500007	Spring washer GB93-10	2	
6	910400200004	Big washer GB96.1-10-200 HV	2	
7	271544010003	Tie rod	1	
8	271544010001	With trunnion Φ 30 x86	2	
9	940500100051	Composite set of 25 x Φ Φ 34 x20 - SF - 2	2	
10	271544010002	With trunnion Φ x50 25	2	
11	910400500006	Spring washer GB93-8	4	
12	910400500006	Spring washer GB93-8	4	
13	910400100006	The flat washer GB97.1-8-200 HV	4	
14	275244020003	The hoop	2	
15	275244020004	The hoop	2	
16	910400100008	The flat washer GB97.1-12-200 HV	2	
17	910400500008	Spring washer GB93-12	2	
18	910100300051	Bolt GB5783 M12x35-8.8	2	
19	271544012001	Inner mast (2500)	1	H=2500
	271544012002	Inner mast (2700)	1	H=2700
	271544012003	Inner mast (3000)	1	H=3000

Mast (standard mast)

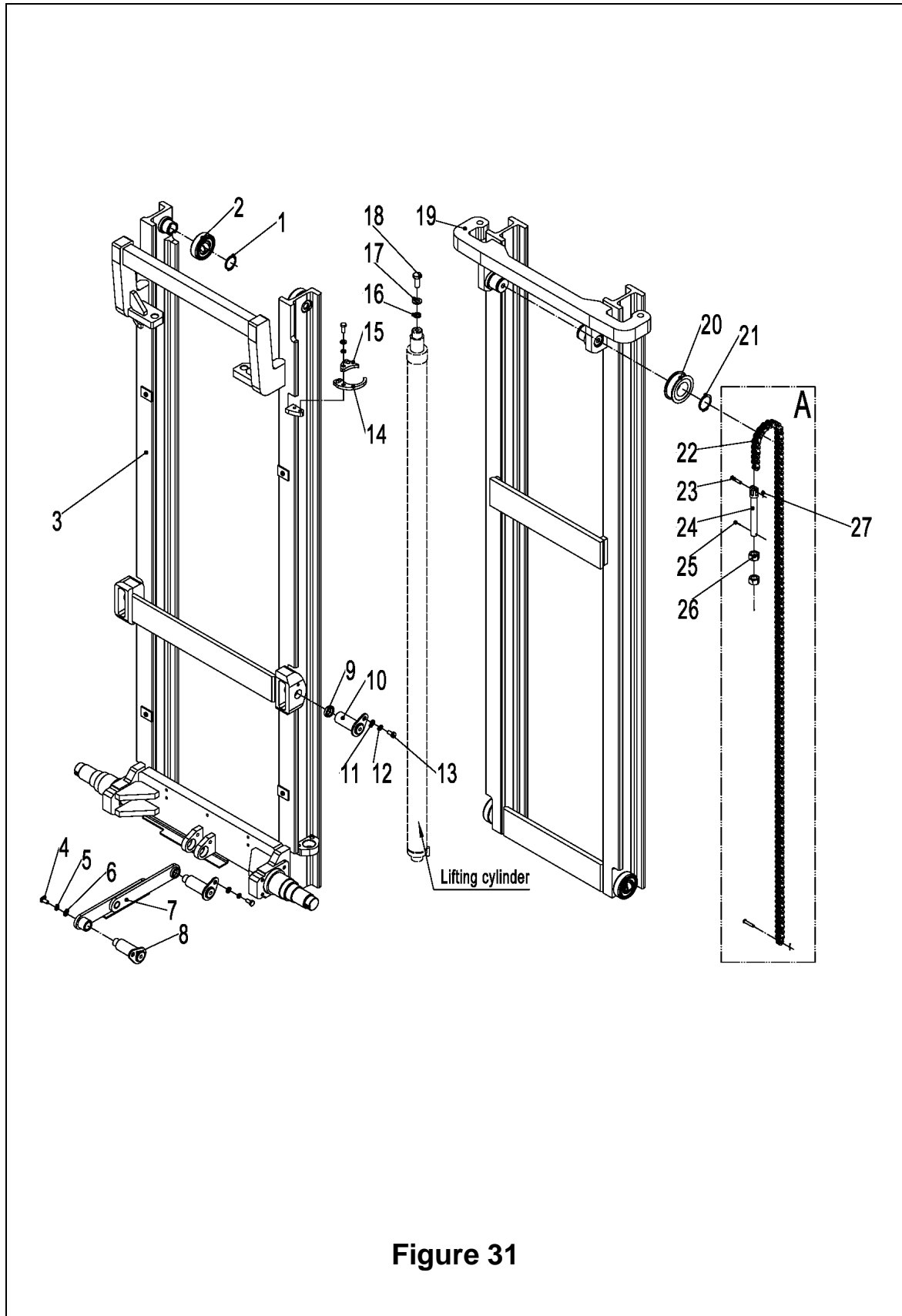


Figure 31

Figure31**Mast (standard mast)**

NO	SN	Name	QTY	Remarks
19	271544012004	Inner mast (3300)	1	H=3300
	271544012005	Inner mast (3500)	1	H=3500
	271544012006	Inner mast (3700)	1	H=3700
	271544012007	Inner mast (4000)	1	H=4000
	271544012008	Inner mast (4300)	1	H=4300
	271544012009	Inner mast (4500)	1	H=4500
	271544012010	Inner mast (5000)		H=5000
20	940200500005	Sprocket wheel bearing 782208 x 782208 - Φ Φ x21 40	2	
21	910401300020	Axis with elastic catch GB894.1-40	2	
A	271544014001	Lifting chain lh1034-89	2	H=2500
	271544014002	Lifting chain lh1034-103	2	H=2700
	271544014003	Lifting chain lh1034-111	2	H=3000
	271544014004	Lifting chain lh1034-129	2	H=3300
	271544014005	Lifting chain lh1034-143	2	H=3500
	271544014006	Lifting chain lh1034-155	2	H=3700
	271544014007	Lifting chain lh1034-173	2	H=4000
	271544014008	Lifting chain lh1034-197	2	H=4300
	271544014009	Lifting chain lh1034-205	2	H=4500
	271544014010	Lifting chain lh1034-237	2	H=5000
22	910900400004	Plate chain GB6074 - LH1034	2	
23	271544020108	Pin 6 x28 Φ	2	
24	271544020107	Chain bolt m16x1.5x142.5	1	
25	910600600015	Cotter pin GB91-2 x20	2	
26	910300200008	Nut GB6171 - M16x1. 5-10	2	
27	910600600030	Cotter pin GB91-3.2 x32	1	

Mast (two-stage full free mast)

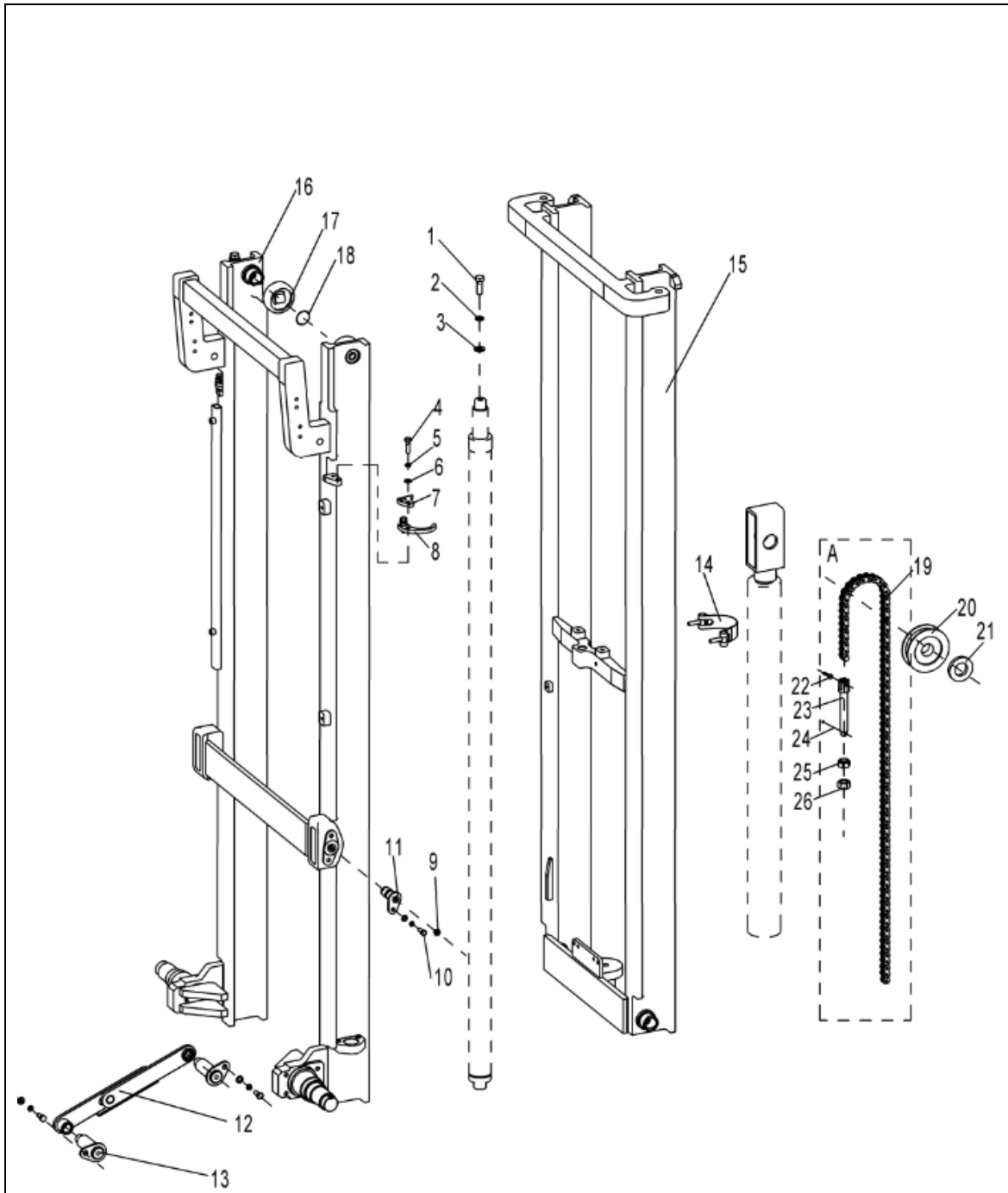


Figure 32

Figure32 Mast (two-stage full free mast)

NO	SN	Name	QTY	Remarks
1	910100300051	Bolt GB5783 M12x35-8.8	2	
2	910400500008	Spring washer GB93-12	2	
3	910400100008	The flat washer GB97.1-12-200 HV	2	
4	910100300024	Bolt GB5783 M8x30-8.8	4	
5	910400500006	Spring washer GB93-8	6	
6	910400100006	The flat washer GB97.1-8-200 HV	6	
7	275244020003	The hoop	2	
8	275244020004	The hoop	2	
9	911200100006	Oil cup DIN71412A - M8x1	2	
10	910100300022	Bolt GB5783 M8x20-8.8	4	
11	271544010002	With trunnion Φ x50 25	2	
12	271544010003	Tie rod	1	
13	271544010001	With trunnion Φ 30 x86	2	
14	940800600004	Embrace hoop Φ 80 components	1	
15	271543512001	Inner mast (2500)	1	H=2500
	271543512002	Inner mast (2700)	1	H=2700
	271543512003	Inner mast (3000)	1	H=3000
	271543512004	Inner mast (3300)	1	H=3300
	271543512005	Inner mast (3500)	1	H=3500
	271543512006	Inner mast (3700)	1	H=3700
	271543512007	Inner mast (4000)	1	H=4000
	271543512008	Inner mast (4300)	1	H=4300
	271543512009	Inner mast (4500)	1	H=4500
	271543512010	Inner mast (5000)	1	H=5000
16	271543511001	Outer mast (2500)	1	H=2500
	271543511002	Outer mast (2700)	1	H=2700
	271543511003	Outer mast (3000)	1	H=3000
	271543511004	Outer mast (3300)	1	H=3300
	271543511005	Outer mast (3500)	1	H=3500
	271543511006	Outer mast (3700)	1	H=3700

Mast (two-stage full free mast)

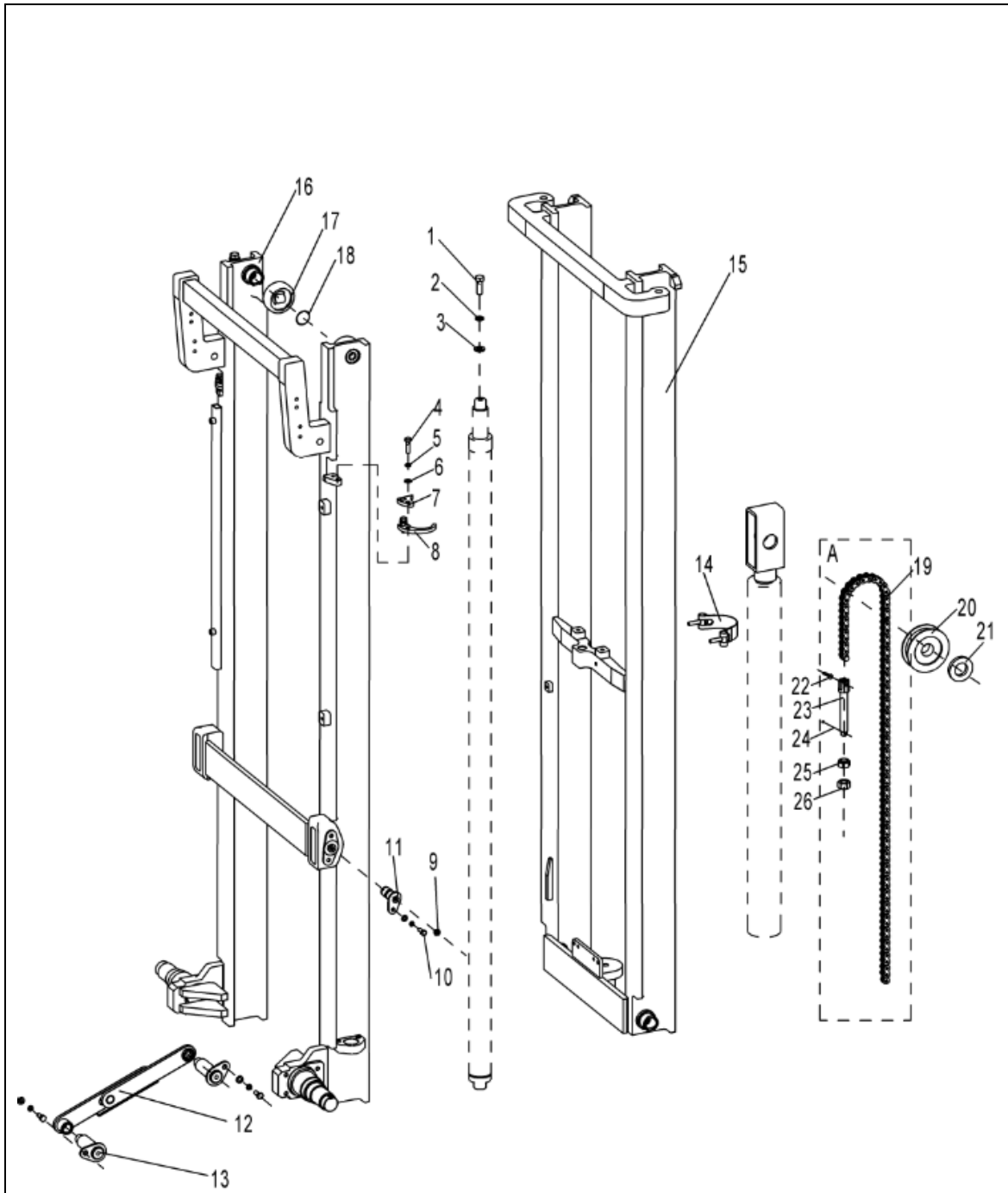


Figure 32

Figure32 Mast (two-stage full free mast)

NO	SN	Name	QTY	Remarks
16	271543511007	Outer mast (4000)	1	H=4000
	271543511008	Outer mast (4300)	1	H=4300
	271543511009	Outer mast (4500)	1	H=4500
	271543511010	Outer mast (5000)	1	H=5000
17	940200399001	Composite roller Φ 70-70.6 = 43.5-47.5 range Φ set figure	2	
18	910401300020	Axis with elastic catch GB894.1-40	2	
19	910900400005	Plate chain GB6074 - LH1044	1	
20	940200500014	Sprocket wheel bearing 90 x 780703 - Φ Φ 35 x21	1	
21	271544520002	Sprocket washer	2	
22	271544520108	Pin 6 x30 Φ	2	
23	532343020024	Chain bolt m16x1.5x129	1	
24	910600600030	Cotter pin GB91-3.2 x	3	
25	910300200008	Nut GB6171 - M16x1. 5-10	1	
26	254144020066	Spherical nut m16x1.5	1	
A	271543515001	Lifting chain lh1044-71	1	H=2500
	271544515002	Lifting chain lh1044-75	1	H=2700
	271543515002	Lifting chain lh1044-79	1	H=3000
	271544515004	Lifting chain lh1044-81	1	H=3300
	271544515005	Lifting chain lh1044-83	1	H=3500
	271543515003	Lifting chain lh1044-91	1	H=3700
	271544515007	Lifting chain lh1044-95	1	H=4000
	271543515004	Lifting chain lh1044-99	1	H=4300
	271543515005	Lifting chain lh1044-103	1	H=4500
	271543515006	Lifting chain lh1044-111	1	H=5000

Mast (two-stage full free mast)

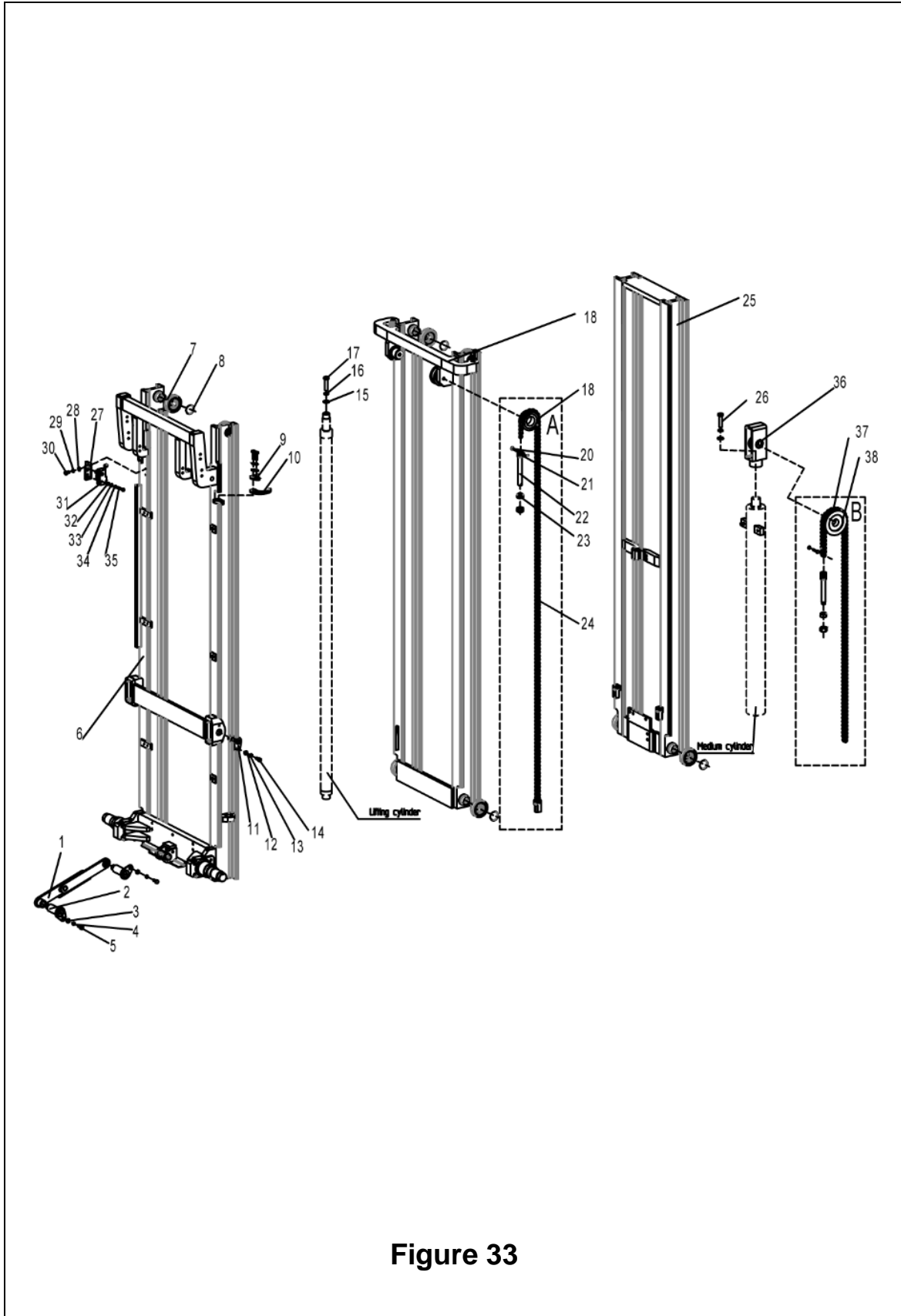


Figure 33

Figure33 Mast (three-stage full free mast)

NO	SN	Name	QTY	Remarks
1	271544010003	Tie rod	1	
2	910400500007	Spring washer GB93-10	2	
3	910400200004	Big washer GB96.1-10-200 HV	2	
4	910100300035	Bolt GB5783 M10x20-8.8	2	
5	271544010001	With trunnion Φ 30 x86	2	
6	271544511001	Outer mast (4000)	1	H=4000
	271544511002	Outer mast(4350)	1	H=4350
	271544511003	Outer mast (4500)	1	H=4500
	271544511004	Outer mast (4800)	1	H=4800
	271544511005	Outer mast (5000)	1	H=5000
	271544511006	Outer mast (5500)	1	H=5500
	271544511007	Outer mast (6000)	1	H=6000
7	940200300003	Composite roller Φ 70.6 = 43.5-47.5 range	8	
8	910401300020	Axis with elastic catch GB894.1-40	2	
9	275244020004	The hoop	2	
10	275244020003	The hoop	2	
11	271544010002	With trunnion Φ x50 25	2	
12	910400500006	Spring washer GB93-8	16	
13	910400100006	The flat washer GB97.1-8-200 HV	16	
14	910100300022	Bolt GB5783 M8x20-8.8	12	
15	910400500008	Spring washer GB93-12	3	
16	910400100008	The flat washer GB97.1-12-200 HV	3	
17	910100300052	Bolt GB5783 M12x40-8.8	2	
18	271544513001	Middle mast (4000)	1	H=4000
	271544513002	Middle mast (4350)	1	H=4350
	271544513003	Middle mast (4500)	1	H=4500
	271544513004	Middle mast (4800)	1	H=4800
	271544513005	Middle mast (5000)	1	H=5000
	271544513006	Middle mast (5500)	1	H=5500
	271544513007	Middle mast (6000)	1	H=6000

Mast (three-stage full free mast)

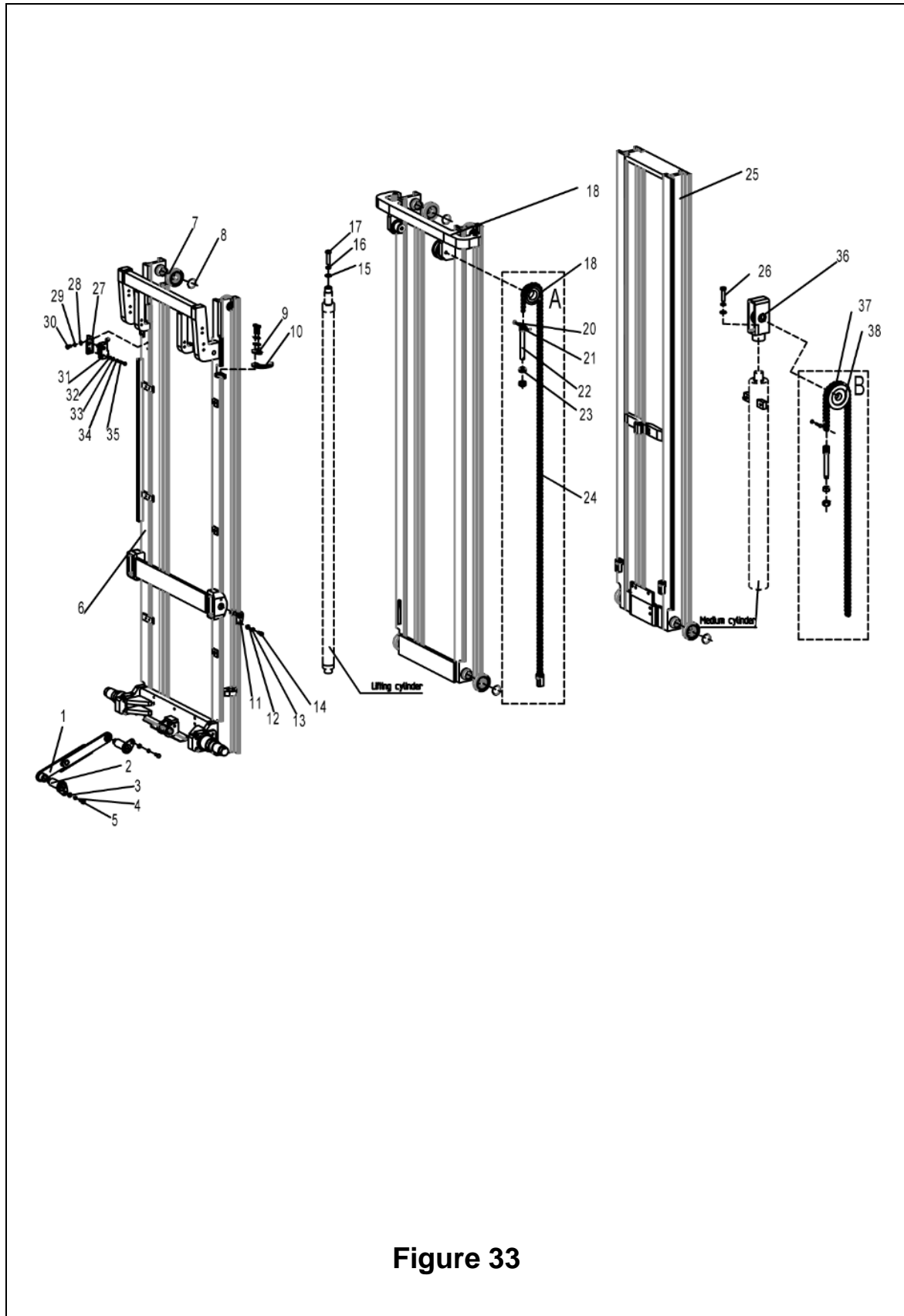


Figure 33

Figure33 Mast (three-stage full free mast)

NO	SN	Name	QTY	Remarks
19	940200500005	Sprocket wheel bearing 782208 x 782208 - Φ Φ x21 40	2	
20	271544020108	Pin 6 x28 Φ	2	
21	910600600030	Cotter pin GB91-3.2 x	2	
22	271544020107	Chain bolt m16x1.5x142.5	1	
23	910300200008	Nut GB6171 - M16x1. 5-10	2	
24	910900400004	Plate chain GB6074 - LH1034	1	
A	271544514001	Lifting chain lh1034-107	2	H=4000
	271544514002	Lifting chain lh1034-114	2	H=4350
	271544514003	Lifting chain lh1034-117	2	H=4500
	271544514004	Lifting chain lh1034-123	2	H=4800
	271544514005	Lifting chain lh1034-129	2	H=5000
	271544514006	Lifting chain lh1034-141	2	H=5500
	271544514007	Lifting chain lh1034-151	2	H=6000
25	271544512001	Inner mast(4000)	1	H=4000
	271544512002	Inner mast (4350)	1	H=4350
	271544512003	Inner mast (4500)	1	H=4500
	271544512004	Inner mast (4800)	1	H=4800
	271544512005	Inner mast (5000)	1	H=5000
	271544512006	Inner mast (5500)	1	H=5500
	271544512007	Inner mast (6000)	1	H=6000
26	910100300050	Bolt GB5783 M12x30-8.8	1	
27	271544020006	Mounting plate (limit switch)	1	
28	910400500005	Spring washer GB93-6	2	
29	910400100005	Flat washer GB97.1-6-200 HV		
30	910100300009	Bolt GB5783 M6x12-8.8	2	

Mast (three-stage full free mast)

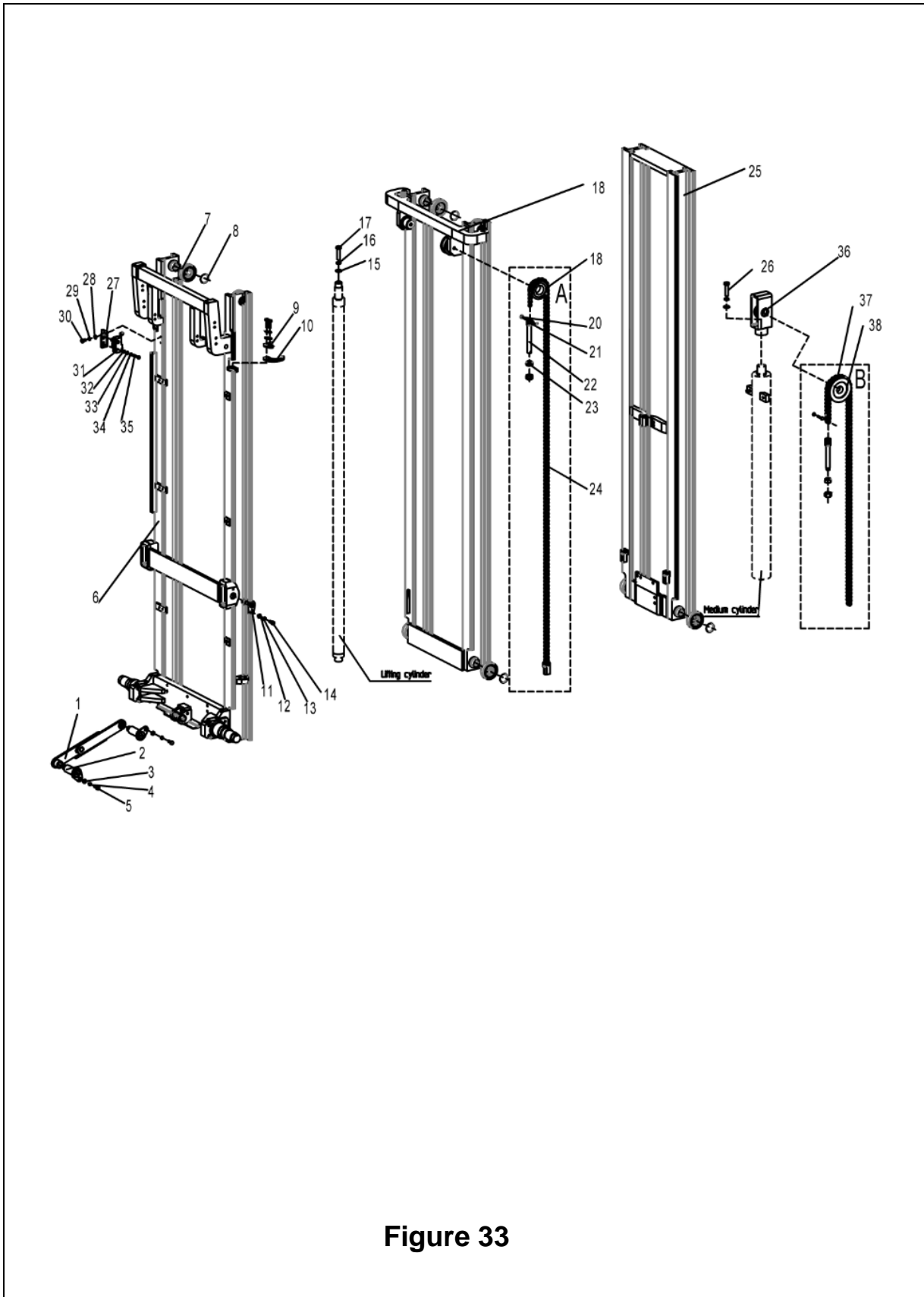


Figure 33

Figure33 Mast (three-stage full free mast)

NO	SN	Name	QTY	Remarks
31	920200300003	Micro switch rz-15gw2s-b3	1	
32	910300100005	Nut GB6170 - M6-10	2	
33	910400500005	Spring washer GB93-6	2	
34	910400100004	Flat washer GB97.1-5-200 HV	2	
35	910201200001	Screw GB71 M6x20-45 h	2	
36	271544520003	Sprocket wheel rack	1	
37	910900400005	Plate chain GB6074 - LH1044	1	
38	940200500014	Sprocket wheel bearing 90 x 780703 - Φ Φ 35 x21	1	
B	271544515001	Lifting chain lh1044-73	1	H=4000
	271544515002	Lifting chain lh1044-81	1	H=4350
	271544515003	Lifting chain lh1044-77	1	H=4500
	271544515004	Lifting chain lh1044-81	1	H=4800
	271544515005	Lifting chain lh1044-89	1	H=5000
	271544515005	Lifting chain lh1044-89	1	H=5500
	271544515006	Lifting chain lh1044-105	1	H=6000

Lifting cylinder (standard mast)

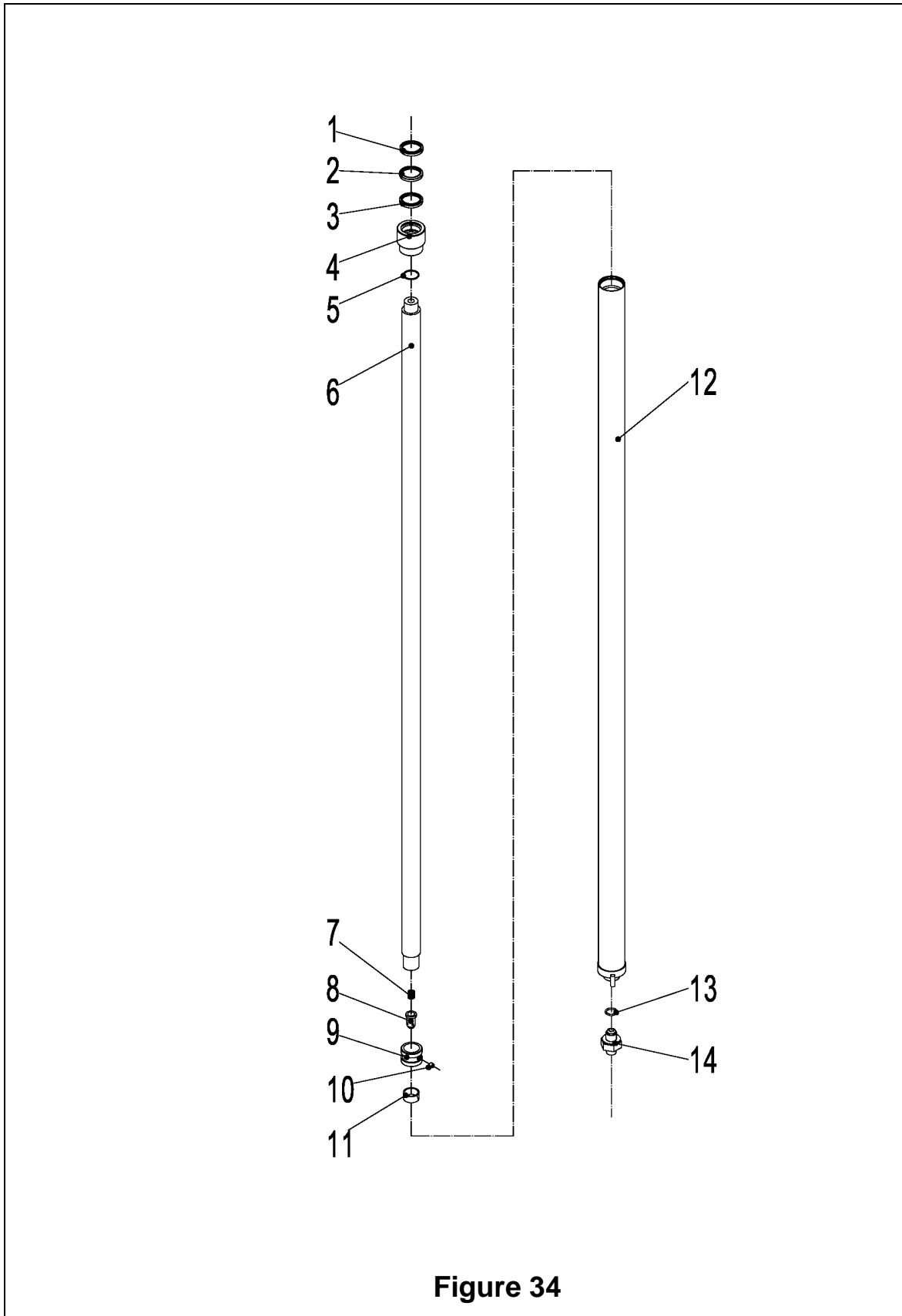


Figure 34

Figure34 Lifting cylinder (standard mast)

NO	SN	Name	QTY	Remarks
A	271544016001	Oil cylinder Φ 40 x 35 x1245 Φ	2	H=2500
	271544016002	Oil cylinder Φ 40 x 35 x1345 Φ	2	H=2700
	271544016003	Oil cylinder Φ 40 x 35 x1495 Φ	2	H=3000
	271544016004	Oil cylinder Φ 40 x 35 x1645 Φ	2	H=3300
	271544016005	Oil cylinder Φ 40 x 35 x1745 Φ	2	H=3500
	271544016006	Oil cylinder Φ 40 x 35 x1845 Φ	2	H=3700
	271544016007	Oil cylinder Φ 40 x 35 x1995 Φ	2	H=4000
	271544016008	Oil cylinder Φ 40 x 35 x2145 Φ	2	H=4300
	271544016009	Oil cylinder Φ 40 x 35 x2245 Φ	2	H=4500
	271544016010	Oil cylinder Φ 40 x 35 x2495 Φ	2	H=5000
1	▲	DH35x43x5x6. 5	1	
2	▲	Catch 35 x45x3	1	
3	▲	Shaft with 35 x45x6	1	
4	▲	Cylinder head	1	
5	▲	O-rings D45x3. 1	1	
6	▲	The piston rod	1	
7	▲	spring	1	
8	▲	Buffer core	1	
9	▲	The piston	1	
10	▲	Guide screw	1	
11	▲	Bearing ring C35X40X14	1	
12	▲	cylinder	1	
13	▲	o-rings	1	
14	▲	Explosion-proof valve	1	
A	271598510001	Seal package	1	including 1/3/5/11

Short lift cylinder (two-stage full free mast)

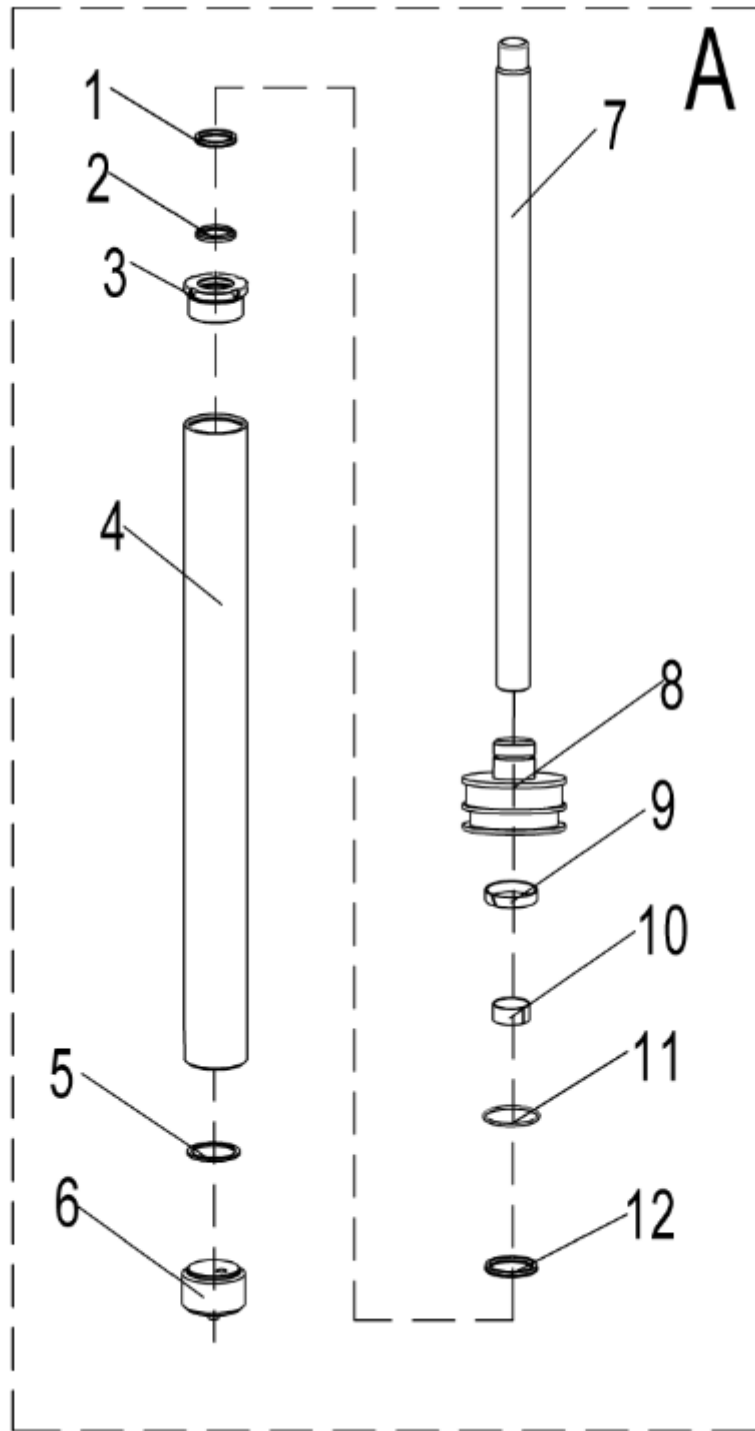


Figure 35

Figure35 Short lift cylinder (two-stage full free mast)

NO	SN	Name	QTY	Remarks
A	271543518001	Oil cylinder (M) Φ x497 Φ 76 x 63	1	H=2500
	271543518002	Oil cylinder (M) Φ x597 Φ 76 x 63	1	H=2700
	271543518003	Oil cylinder (M) Φ x747 Φ 76 x 63	1	H=3000
	271543518004	Oil cylinder (M) Φ x897 Φ 76 x 63	1	H=3300
	271543518005	Oil cylinder (M) Φ x997 Φ 76 x 63	1	H=3500
	271543518006	Oil cylinder (M) Φ x1097 Φ 76 x 63	1	H=3700
	271543518007	Oil cylinder (M) Φ x1247 Φ 76 x 63	1	H=4000
	271543518008	Oil cylinder (M) Φ x1397 Φ 76 x 63	1	H=4300
	271543518009	Oil cylinder (M) Φ x1497 Φ 76 x 63	1	H=4500
	271543518010	Oil cylinder (M) Φ x1747 Φ 76 x 63	1	H=5000
1	▲	Shaft with 40 x 50 x 6 _11	1	
2	▲	DH40 x 48 x 5 x 6.5	1	
3	▲	Built-in cylinder head	1	
4	▲	Built-in cylinder	1	
5	▲	53 x63x3 block slice	1	
6	▲	The bottom right	1	
7	▲	The piston rod	1	
8	▲	The piston	1	
9	▲	Bearing ring 58 x63x13	1	
10	▲	Steel back bearing 40X44X20	1	
11	▲	O-rings D68X3. 1	1	
12	▲	Hole with 53 * 63 * 6 _11	1	
A	271598510002	Seal repair kit (middle cylinder)	1	Inc.1/2/9/11/12

Note: components are not provided separately

Lift cylinder (two-stage full free mast)

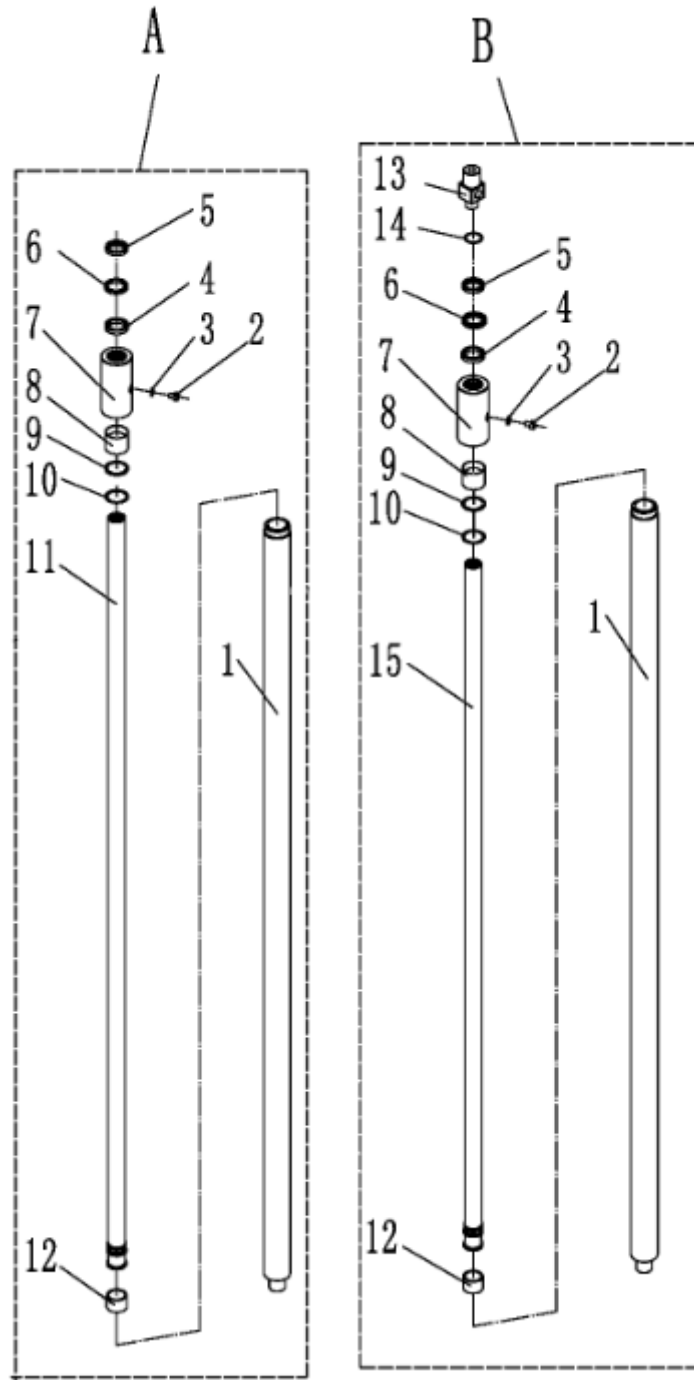


Figure 36

Figure36 Lift cylinder(two-stage full free mast)

NO	SN	Name	QTY	Remarks
A	271543516001	Oil cylinder (R) Φ 40 x 30 x1245 Φ	1	H=2500
	271543516002	Oil cylinder (R) Φ 40 x 30 x1345 Φ	1	H=2700
	271543516003	Oil cylinder (R) Φ 40 x 30 x1495 Φ	1	H=3000
	271543516004	Oil cylinder (R) Φ 40 x 30 x1645 Φ	1	H=3300
	271543516005	Oil cylinder (R) Φ 40 x 30 x1745 Φ	1	H=3500
	271543516006	Oil cylinder (R) Φ 40 x 30 x1845 Φ	1	H=3700
	271543516007	Oil cylinder (R) Φ 40 x 30 x1995 Φ	1	H=4000
	271543516008	Oil cylinder (R) Φ 40 x 30 x2145 Φ	1	H=4300
	271543516009	Oil cylinder (R) Φ 40 x 30 x2245 Φ	1	H=4500
	271543516010	Oil cylinder (R) Φ 40 x 30 x2495 Φ	1	H=5000
B	271543517001	Oil cylinder (L) Φ 40 x 30 x1245 Φ	1	H=2500
	271543517002	Oil cylinder (L) Φ 40 x 30 x1345 Φ	1	H=2700
	271543517003	Oil cylinder (L) Φ 40 x 30 x1495 Φ	1	H=3000
	271543517004	Oil cylinder (L) Φ 40 x 30 x1645 Φ	1	H=3300
	271543517005	Oil cylinder (L) Φ 40 x 30 x1745 Φ	1	H=3500
	271543517006	Oil cylinder (L) Φ 40 x 30 x1845 Φ	1	H=3700
	271543517007	Oil cylinder (L) Φ 40 x 30 x1995 Φ	1	H=4000
	271543517008	Oil cylinder (L) Φ 40 x 30 x2145 Φ	1	H=4300
	271543517009	Oil cylinder (L) Φ 40 x 30 x2245 Φ	1	H=4500
	271543517010	Oil cylinder (L) Φ 40 x 30 x2495 Φ	1	H=5000
1	▲	Cylinder block	2	
2	▲	Hexagon socket head screw	2	
3	▲	Combination gasket	2	
4	▲	Shaft seal 30 x40x6	2	
5	▲	DH30X38X5	2	
6	▲	Retaining ring	2	
7	▲	Cylinder head	2	
8	▲	Steel back bearing 30X34X25	2	

Note: components are not provided separately

Lift cylinder(two-stage full free mast)

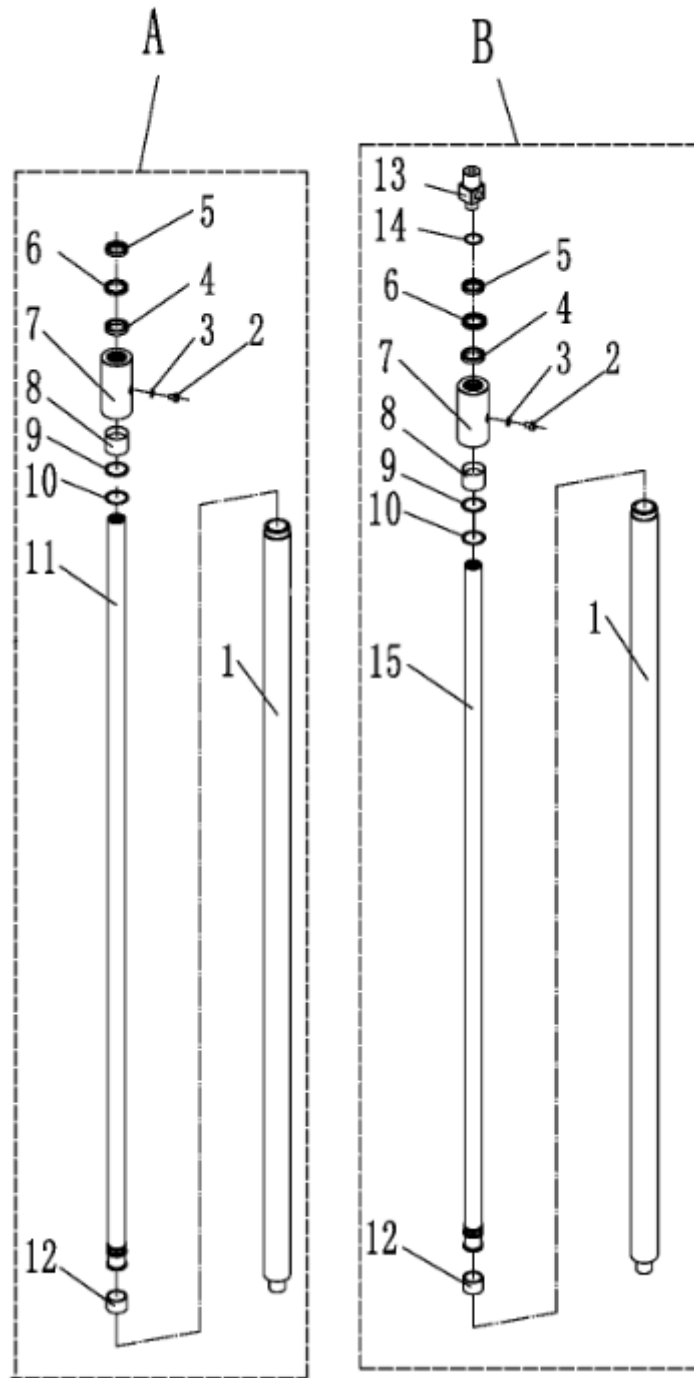


Figure 36

Figure36 Lift cylinder (two-stage full free mast)

NO	SN	Name	QTY	Remarks
9	▲	O-rings D45X3. 1	2	
10	▲	Retaining ring	2	
11	▲	Right the piston rod	1	
12	▲	Supporting ring for bore 35X40X10	2	
13	▲	The left cylinder joint	1	
14	▲	O-ring rubber	1	
15	▲	Left the piston rod	1	
16	▲	Steel body	1	
A	271598510003	Seal repair kit (lifting cylinder)	2	Inc.4/5/9/12

Note: components are not provided separately

Short lift cylinder (three-stage full free mast)

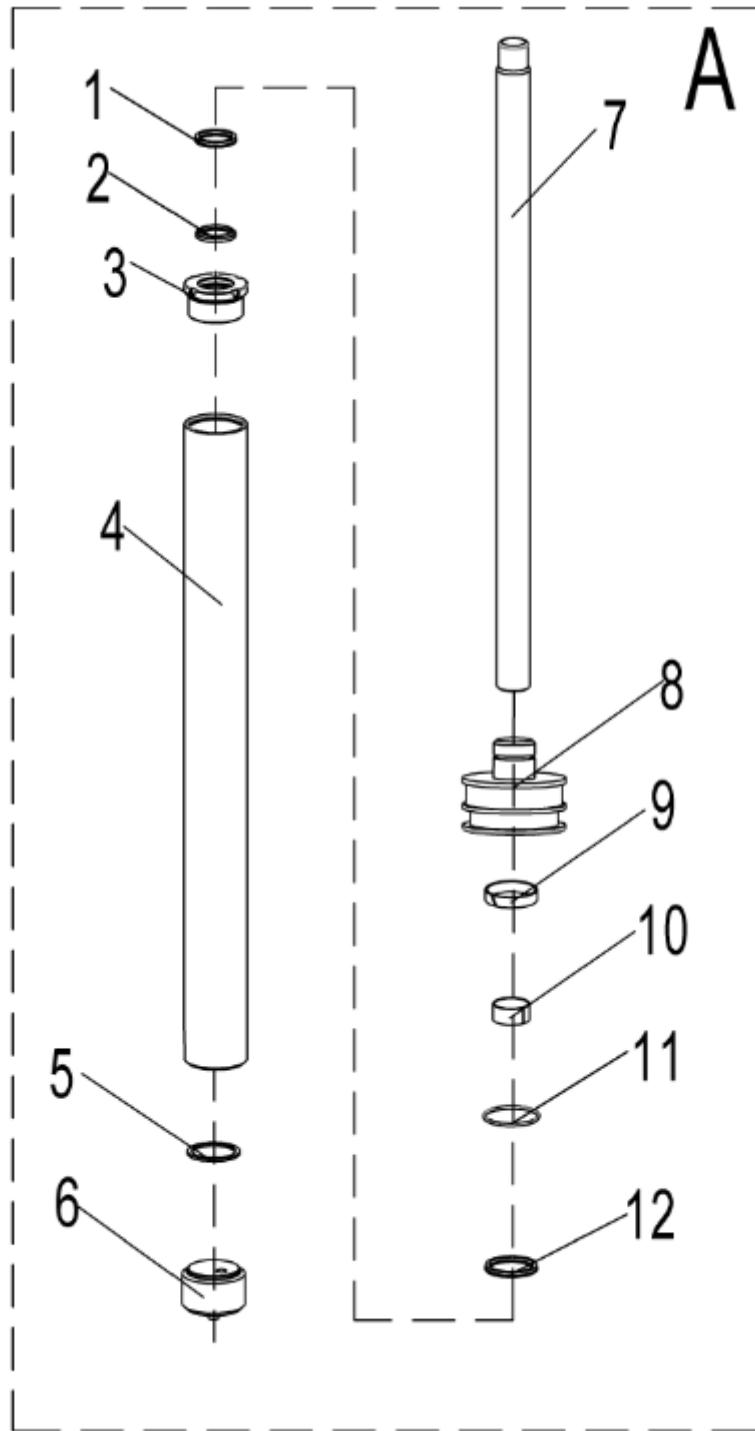


Figure 37

Figure37 Short lift cylinder (three-stage full free mast)

NO	SN	Name	QTY	Remarks
A	271544518001	Oil cylinder (M) Φ 56 x 45 x497 Φ	1	H=4000
	271544518002	Oil cylinder (M) Φ 56 x 45 x597 Φ	1	H=4350
	271544518003	Oil cylinder (M) Φ Φ 56 x747 56 x	1	H=4500
	271544518004	Oil cylinder (M) Φ 56 x 45 x897 Φ	1	H=4800
	271544518005	Oil cylinder (M) Φ 56 x 45 x997 Φ	1	H=5000
	271544518006	Oil cylinder (M) Φ 56 x 45 x1097 Φ	1	H=5500
	271544518007	Oil cylinder (M) Φ 56 x 45 x1247 Φ	1	H=6000
1	▲	Shaft with 45 * 55 * 6	1	
2	▲	DH45 53 x 5 x 6.5 x	1	
3	▲	Built-in cylinder head	1	
4	▲	Built-in cylinder	1	
5	▲	53 x63x3 block slice	1	
6	▲	The bottom right	1	
7	▲	The piston rod	1	
8	▲	The piston	1	
9	▲	51 x56x20 bearing ring	1	
10	▲	Steel back bearing 45X49X30	1	
11	▲	O-rings D60X3. 1	1	
12	▲	Hole with 45 * 56 * 7	1	
A	271598510004	Seal repair kit (middle cylinder)	1	Inc.1/2/9/11/ 12

Note: components are not provided separately

Lifting cylinder(three-stage full free mast)

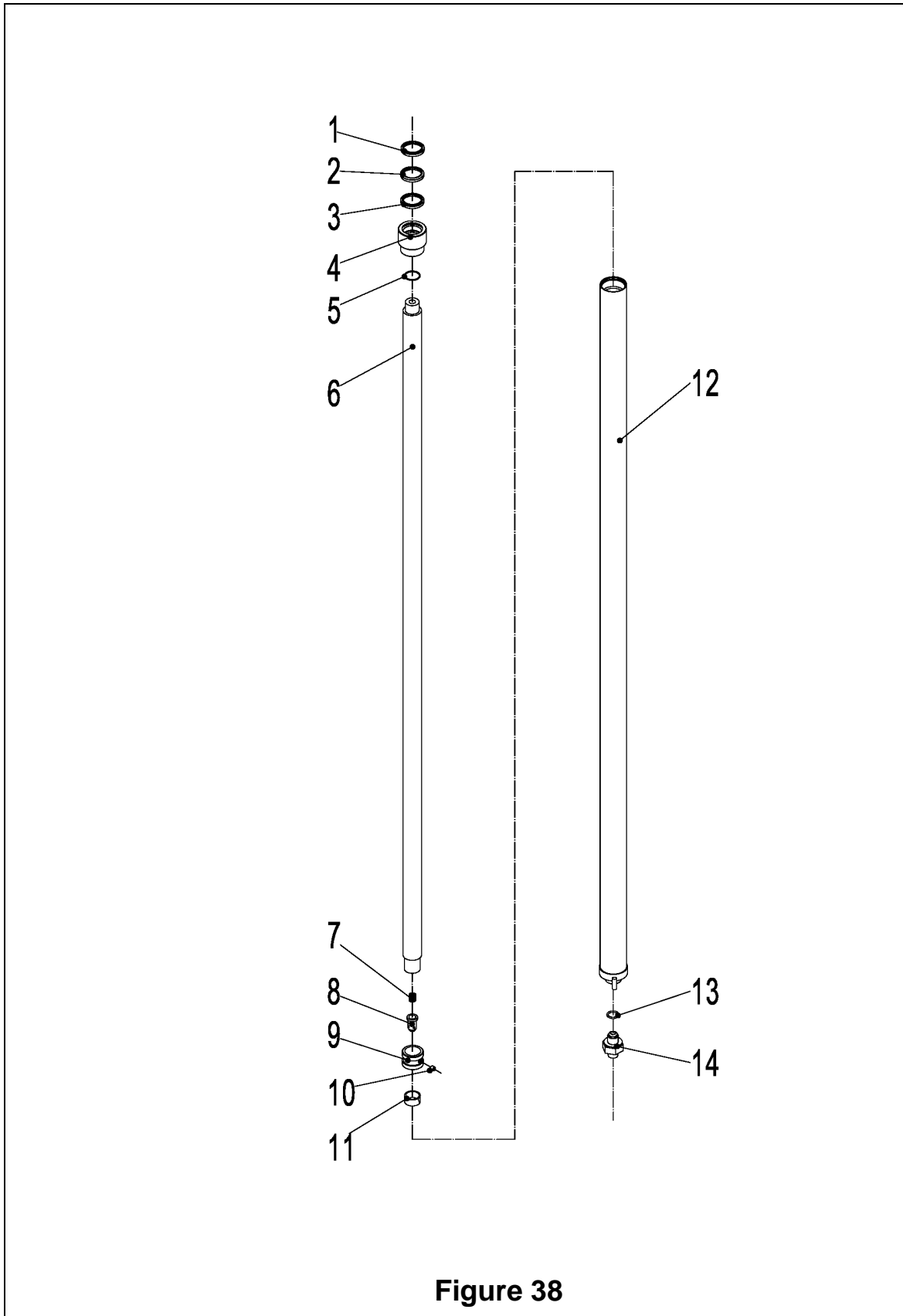


Figure 38

Figure38 Lifting cylinder(three-stage full free mast)

NO	SN	Name	QTY	Remarks
A	271544516001	Oil cylinder Φ 35 x 40 x1295 Φ	2	H=4000
	271544516002	Oil cylinder Φ 35 x 40 x1425 Φ	2	H=4350
	271544516003	Oil cylinder Φ 35 x 40 x1475 Φ	2	H=4500
	271544516004	Oil cylinder Φ 35 x 30 x1575 Φ	2	H=4800
	271544516005	Oil cylinder Φ 35 x 40 x1625 Φ	2	H=5000
	271544516006	Oil cylinder Φ 35 x 40 x1785 Φ	2	H=5500
	271544516007	Oil cylinder Φ 35 x 40 x1950 Φ	2	H=6000
1	▲	DH35x43x5x6. 5	1	
2	▲	Catch 35 x45x3	1	
3	▲	Shaft with 35 x45x6	1	
4	▲	Cylinder head	1	
5	▲	O-rings D45x3. 1	1	
6	▲	The piston rod	1	
7	▲	spring	1	
8	▲	Buffer core	1	
9	▲	The piston	1	
10	▲	Guide screw	1	
11	▲	Bearing ring C35X40X14	1	
12	▲	cylinder	1	
13	▲	o-rings	1	
14	▲	Explosion-proof valve	1	
A	271598510001	Seal repair kit	2	Inc.1/3/5/11

Note: components are not provided separately

Tilting cylinder

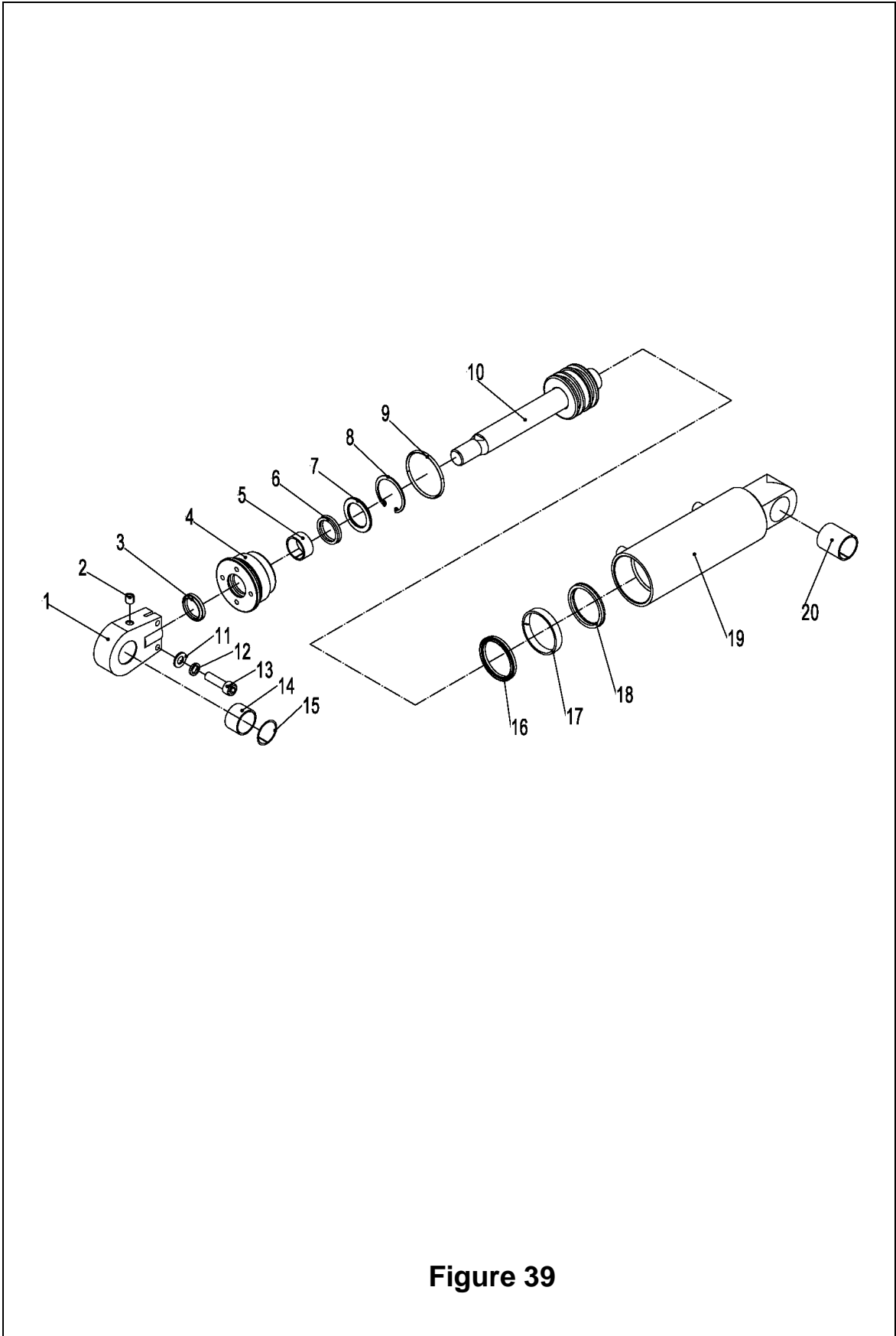


Figure 39

Figure39**Tilting cylinder**

NO	SN	Name	QTY	Remarks
A	271520511001	Tilting cylinder	1	H<4000
	271520511002	Tilting cylinder	1	H≥4000
1	▲	GIHR - K30D0 earrings 2	1	
2	▲	Straight through type pressure injector nozzle M10	1	
3	▲	5 x6 DH28x36x4.	1	
4	▲	Guide sleeve	1	
5	▲	Steel back bearing 28x32x15	1	
6	▲	DH28x36x6	1	
7	▲	Block slice 28 x38x3	1	
8	▲	Retaining ring 47	1	
9	▲	O-rings d60x3. 55	1	
10	▲	The piston rod	1	
11	▲	Flat washer	1	
12	▲	Spring washer	1	
13	▲	screw	1	
14	▲	Joint bearing 30ES	1	
15	▲	Retaining ring	1	
16	▲	Hole with 50 x60x6	1	
17	▲	Bearing ring 55 x60x10	1	
18	▲	Hole with 50 x60x6	1	
19	▲	Cylinder liner	1	
20	▲	Steel back bearing 30x34x38	1	
B	271598510005	Seal package (inclined oil cylinder)	1	Inc.3\6\16\17\18

Note: components are not provided separately

Sign installation

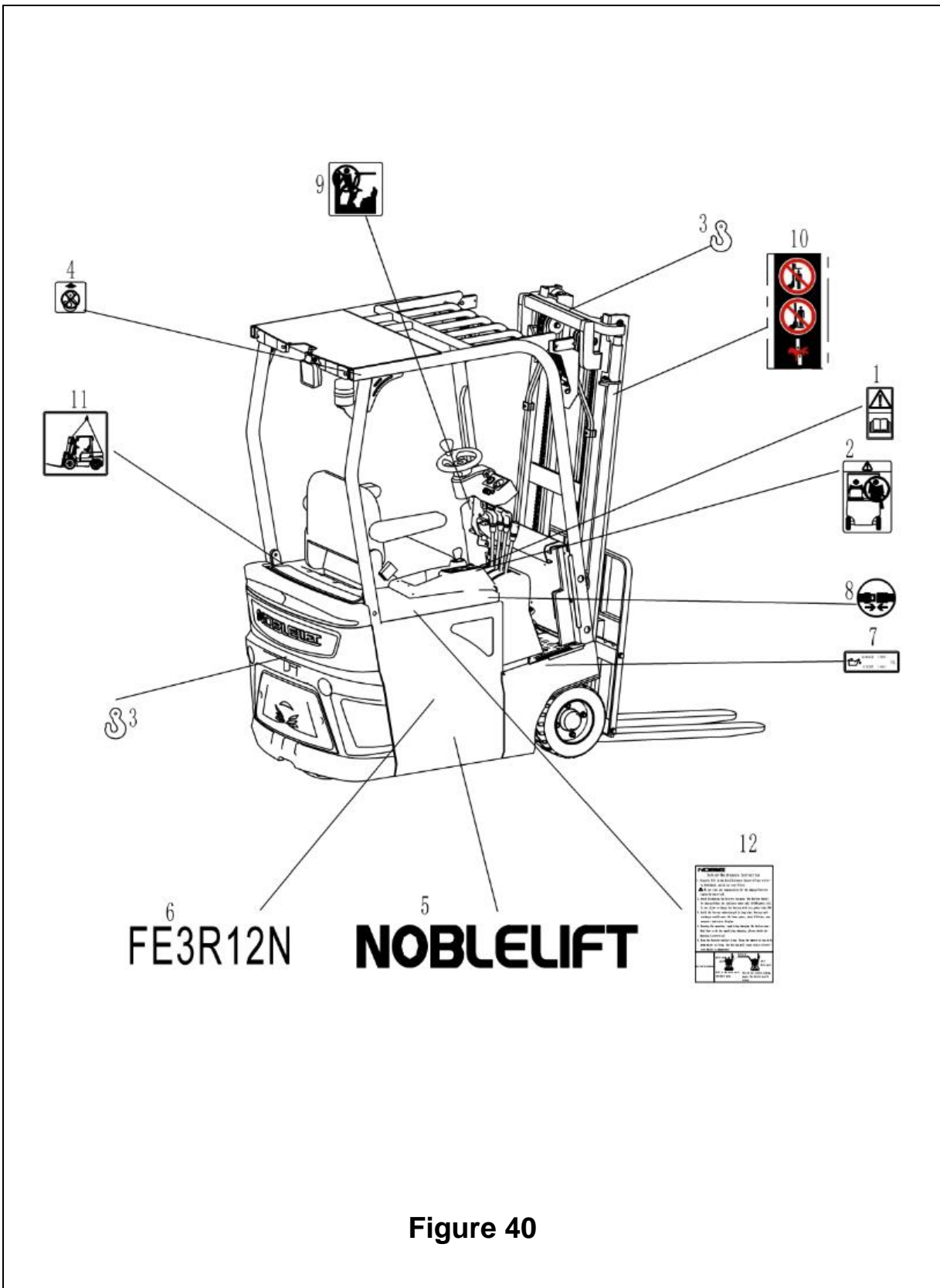


Figure 40

Figure40**Sign installation**

NO	SN	Name	QTY	Remarks
A	271547001002	Label assembly	1	Inc.1-16
	271347001002	Label assembly		FE3R10N
	271147001002	Label assembly	1	FE3R08N
1	941200300011	Label (warning read)	1	
2	255047020013	It is forbidden for a	1	
3	941200300001	Label (lifting point)	3	
4	255047020008	Lifting signs are prohibited	2	
5	255047020018	Novartis force logo	2	
6	271547020001	Product model mark	2	
7	271547020002	Hydraulic oil label	1	
8	255047020012	Belt label	1	
9	255047020009	Prohibited to climb	1	
10	941200100004	Label (stacked warning)	2	
11	255047020019	The vehicle assembly	1	
12	255047020007	Battery maintenance tips	1	

Data nameplate

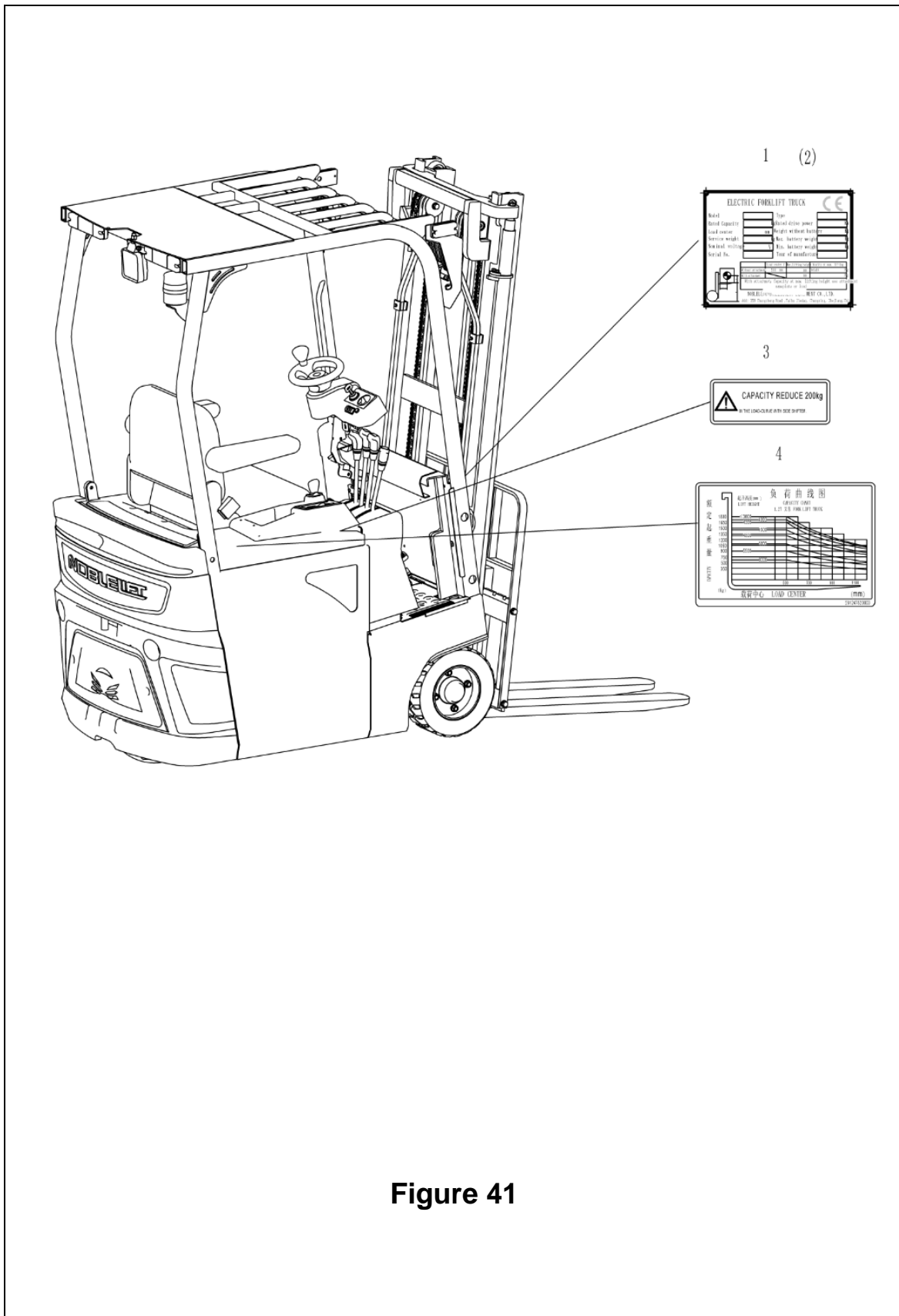


Figure 41

Figure41**Data nameplate**

NO	SN	Name	QTY	Remarks
1	255047520002	nameplate	1	
2	910500600002	Rivet GB827-3 x10	4	
3	255047520005	Label with side shift minus weight	1	
4	271547520003	Load curve (sticker)	1	

Electrical system

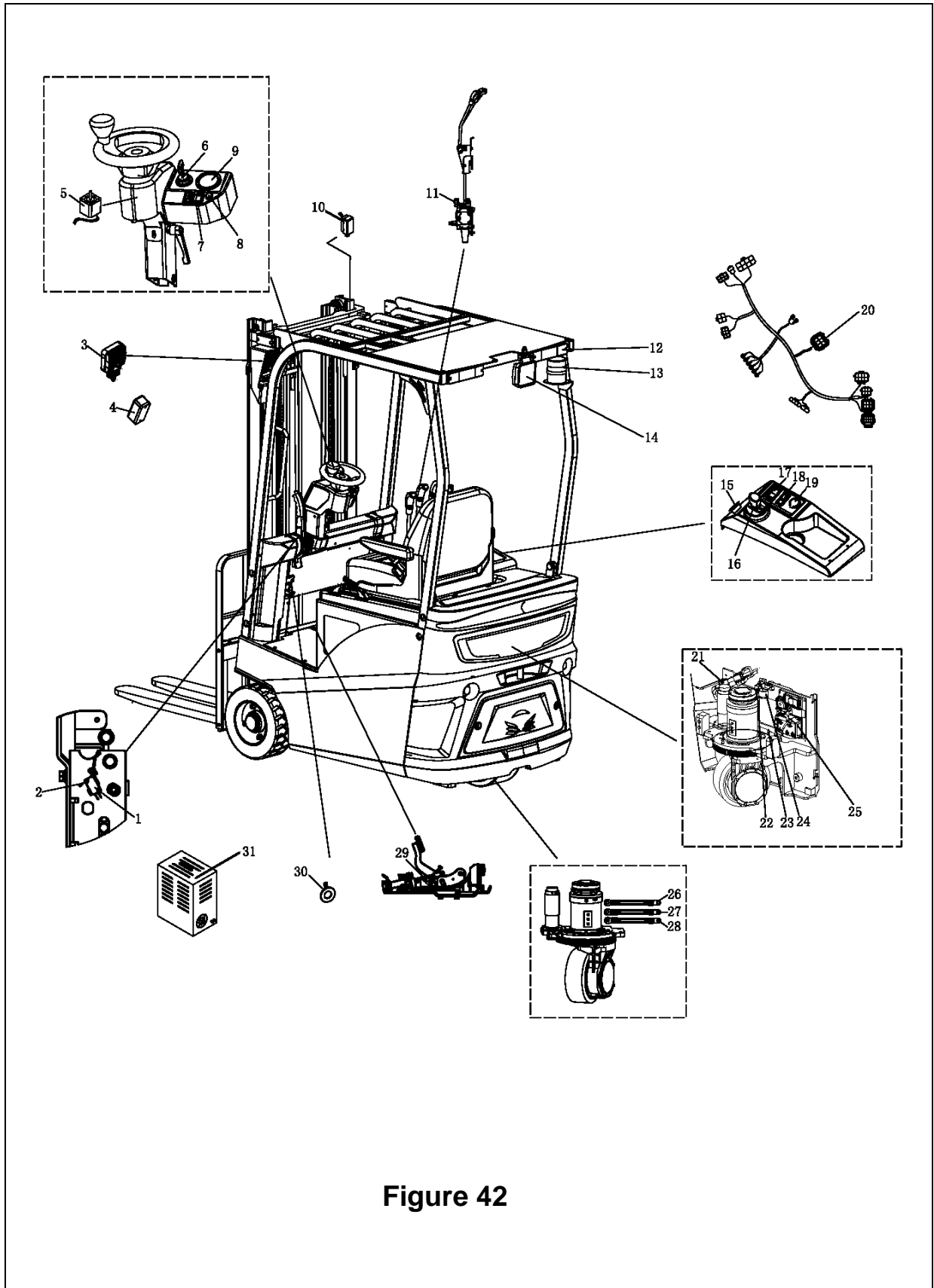


Figure 42

Figure42**Electrical system**

NO	SN	Name	QTY	Remarks
1	920200300009	Micro switch rv-166-1c25	1	
2	910400100003	The flat washer GB97.1-4-200 HV	2	
3	922000100001	Lamp PDL - LXZM - 1	2	
4	922000100002	Lamp PDL - LXXD - 1	2	
5	921800200004	Potentiometer TY1204-1	1	
6	920200200002	Key switch KEYA	1	
7	920200800019	Tilt-plate switch yb-nuol-002	1	
8	920200700003	Button switch gq16h-10	1	
9	921100100038	Instrument 8 3140-12-4 v	1	
10	920200300003	Micro switch rz-15gw2s-b3	1	
11	920200300004	Micro switch rz-15gq22-b3	1	
12	922000100003	Lamp PDL - LXHW - 2	2	
13	922000100004	Lamp PDL - LXJD - 01 y	1	
14	922000100001	Lamp PDL - LXZM - 1	1	
15	920200100002	Emergency stop switch ce4t-10r-01	1	
16	920201100003	Rocker switch fnr-001	1	
17	920200800021	Tilt-plate switch yb-nuol-004	1	
18	920200800020	Tilt-plate switch yb-nuol-003	1	
19	921900100004	Converter DC24V to 5V	1	optional
20	271533010001	Body wiring harness (1232E+1220E)	1	
	271133010001	Body wiring harness (f2-a +1220E)	1	
21	271533010010	Mains harness	1	
22	922000100005	24 v lights SG252 -	1	flasher
23	272033510001	Approach switch rpaz092r-l1 (300mm)	1	
24	920500100002	Speaker buzzer dJB-24b	1	
25	271533010002	Electronic control module (1232E+1220E)	1	FE3R12
	271133010002	Electronic control module (f2-a +1220E)	1	FE3R08-10
26	271533010003	Cable - U1 - the 25-6-8-400	1	
27	271533010004	Cable - V1 - the 25-6-8-400	1	

Electrical system

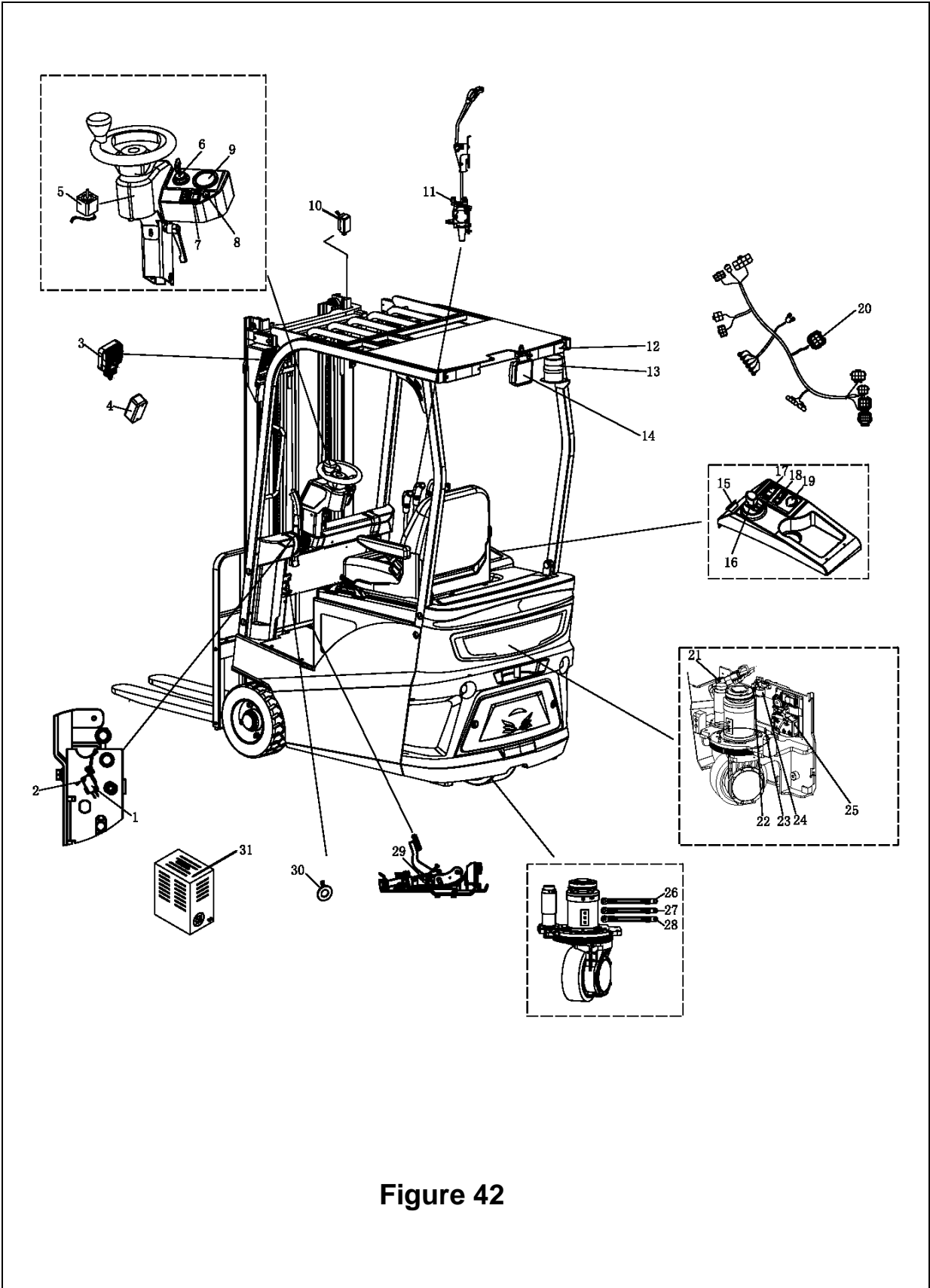


Figure 42

Figure42**Electrical system**

NO	SN	Name	QTY	Remarks
28	271533010005	Cable - W1-25-6-8-400	1	
29	920500100001	The horn 125 - DC24V	1	
30	920201000002	Foot switch JK231	1	
31	921000200031	Charger SN24V55A(subcenter)	1	with 420Ah
	921000200032	Charger SN24V55A(yaying)	1	with 420Ah
	921000200033	Charger SN24V55A(Europe)	1	with 420Ah
	921000200034	Charger SN24V55A(macau)	1	with 420Ah
	921000200035	Charger SN24V55A(GB)	1	with 420Ah
	921000200036	Charger SN24V55A(USA)	1	with 420Ah
	921000200073	Charger SN24V60A(subcenter)	1	with 480Ah
	921000200074	Charger SN24V60A(a-ying)	1	with 480Ah
	921000200075	Charger SN24V60A(Europe)	1	with 480Ah
	921000200076	Charger SN24V60A(macau)	1	with 480Ah
	921000200077	Charger SN24V60A(GB)	1	with 480Ah
	921000200078	Charger SN24V60A(USA)	1	with 480Ah
	921000200061	Charger SN24V80A(subcenter)	1	with 540Ah
	921000200062	Charger SN24V80A(a-ying)	1	with 540Ah
	921000200063	Charger SN24V80A(Europe)	1	with 540Ah
	921000200064	Charger SN24V80A(macau)	1	with 540Ah
921000200065	Charger SN24V80A(GB)	1	with 540Ah	
921000200066	Charger SN24V80A(USA)	1	with 540Ah	

Electronic components (FE3R12)

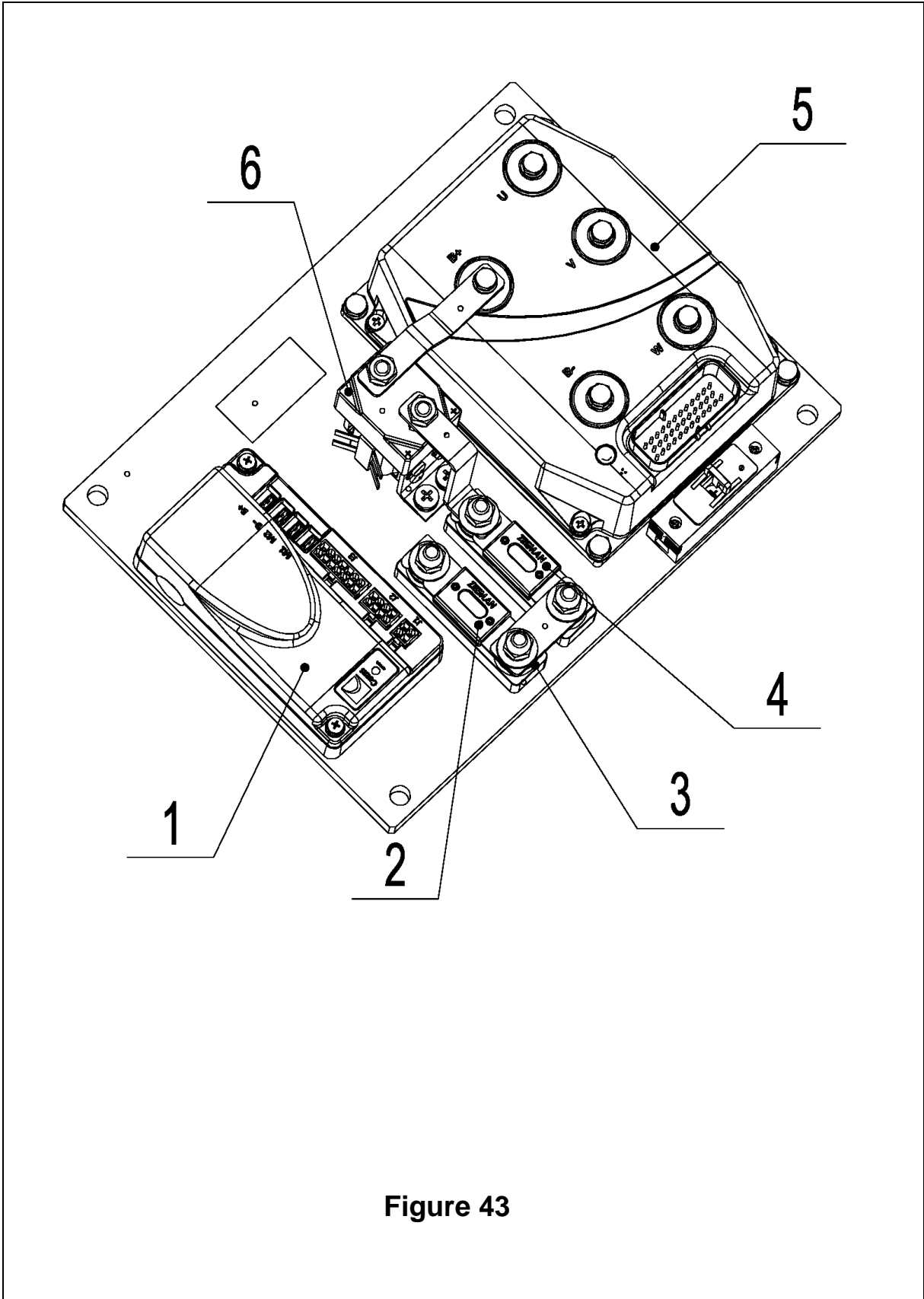


Figure 43

Figure43 Electronic components (FE3R12)

NO	SN	Name	QTY	Remarks
1	921400100077	The controller 1220E-2401	1	
2	920100100007	Fuse 150A(plastic)	1	
3	920100400002	Fuse holder SYY	1	
4	920100100008	Fuse 200A(plastic)	1	
5	921400100005	The controller 1232E - 1232	1	
6	920700100002	Contactore DC24V SW180B - 4	1	

Electronic components (FE3R08-10)

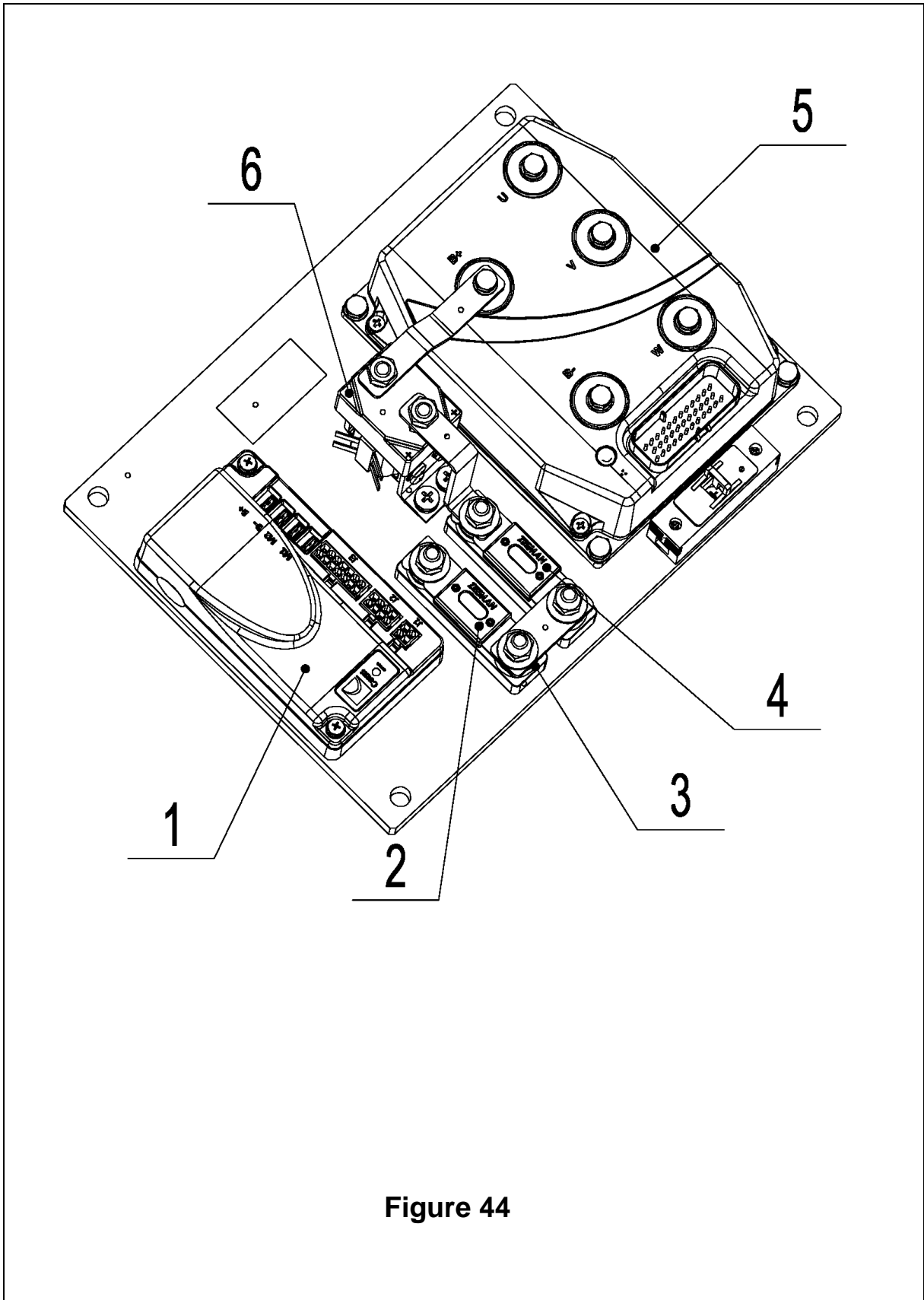


Figure 44

Figure44 Electronic components(FE3R08-10)

NO	SN	Name	QTY	Remarks
1	921400100077	The controller 1220 E - 2401	1	
2	920100100007	Fuse 150A(plastic)	1	
3	920100400002	Fuse holder SYY	1	
4	920100100008	Fuse 200A(plastic)	1	
5	921400100064	Controller in AC - F2-24-200 - A - 200	1	
6	920700100002	Contactoer DC24V SW180B - 4	1	

NOBLELIFT |

NOBLELIFT INTELLIGENT EQUIPMENT CO.,LTD.

Service hotline: 4008-836115

Wechat: nuolijixie

Postcode: 313100 email address: info@noblelift.com

Website: www.noblelift.com

Version: Sep,2018

